

Spare Parts Catalogue
P200TXE E6
(B2020B-TXE E6)

Edition 03/2018

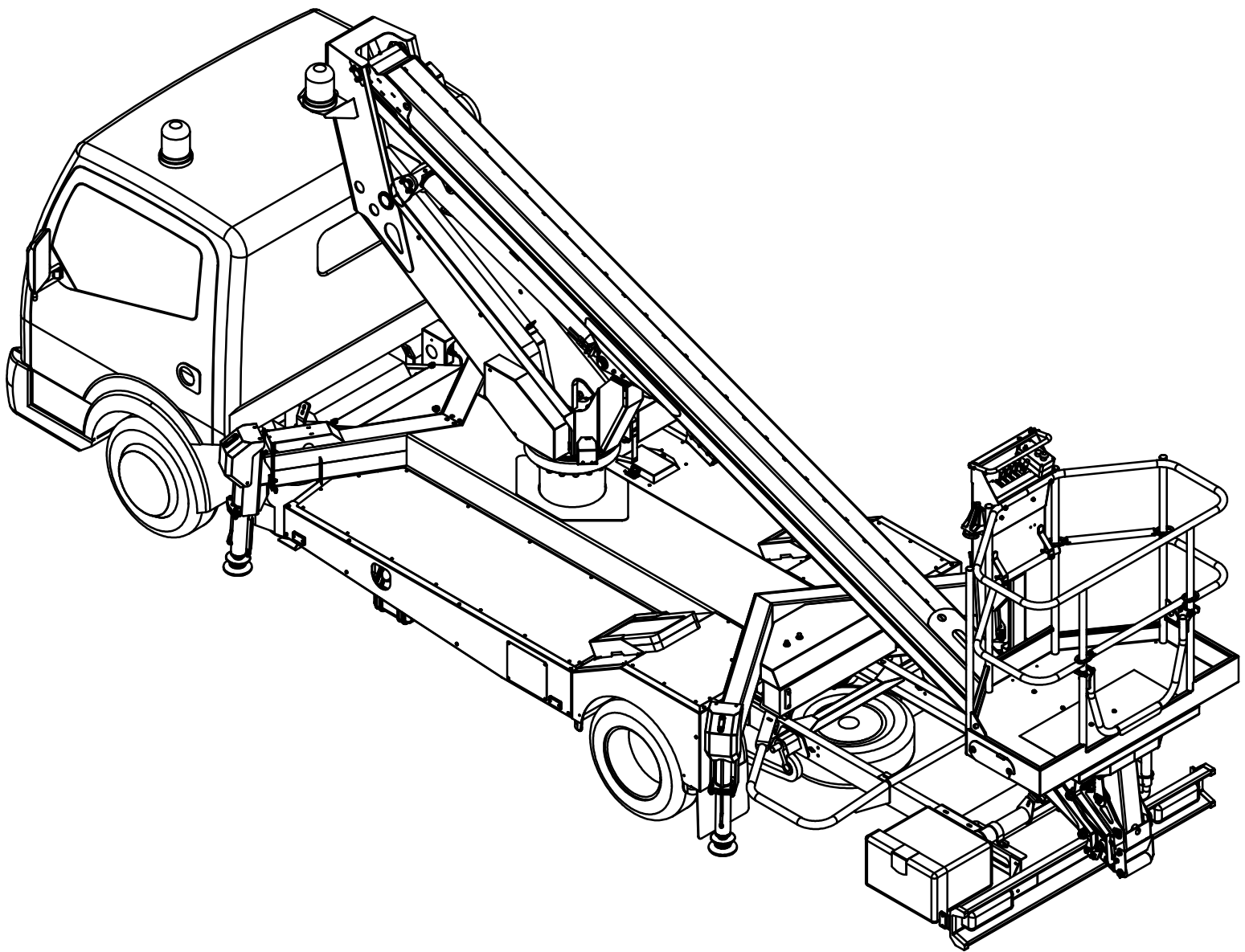
Palfinger Platforms Italy S.R.L.
Via Enrico de Nicola Nr. 31
41122 Modena / Italy
www.palfinger.com

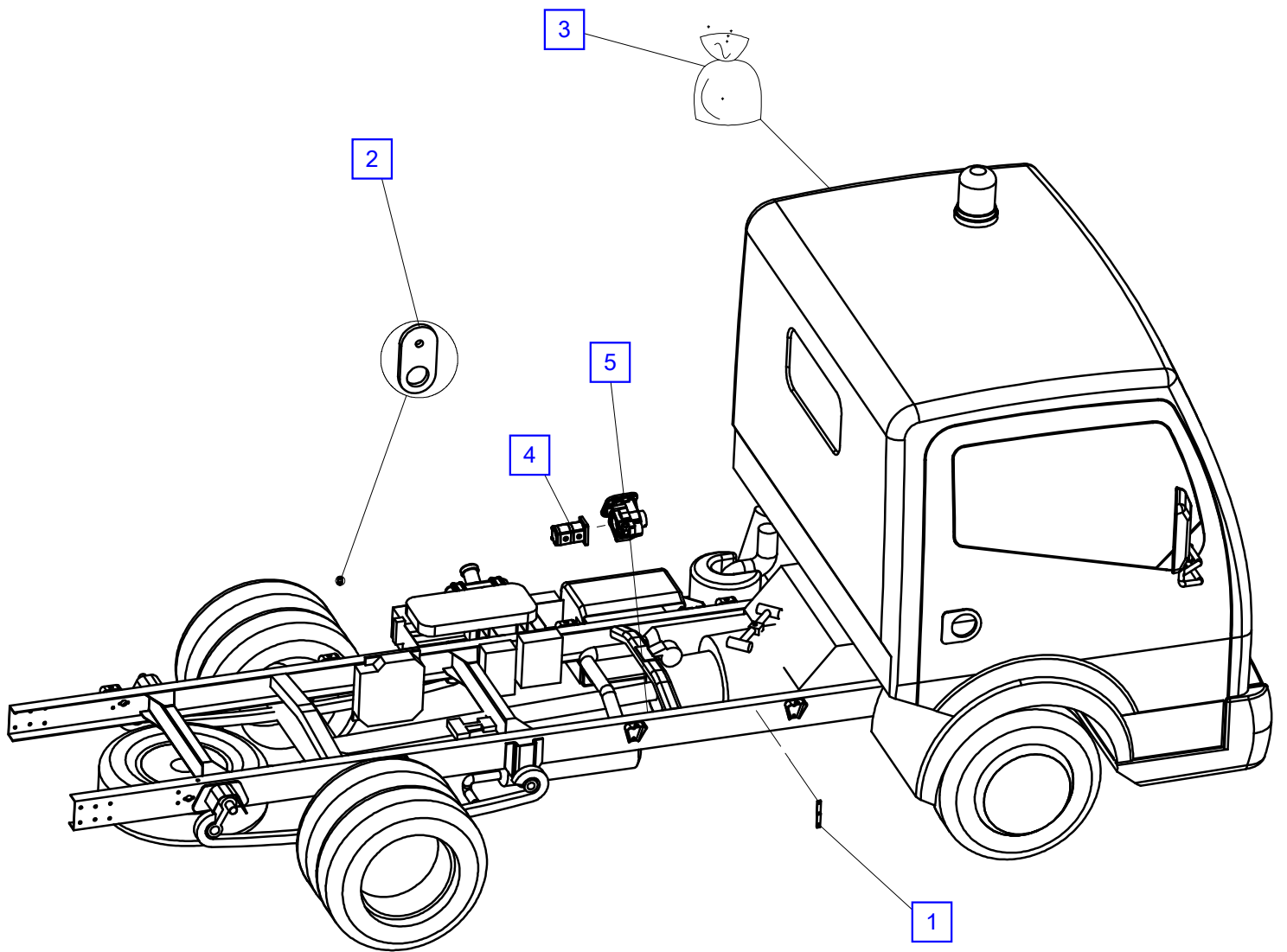
Page	
0050	GENERAL VIEW
0050.00100	General view
0100	UNDERSTRUCTURE
0100.00100	Base - truck type
0100.00200	Understructure-Back
0100.00300	Understructure-1
0100.00400	Understructure-2
0100.00500	Electrical system
0100.00600	Oil tank, cpl.
0100.00700	Directional control valve
0100.00800	Diesel filters
0100.00900	Electric socket Chassis / Basket
0100.01000	Extension box, short
0100.01100	Stabilizer ram - rigid-SX
0100.01200	Stabilizer ram - rigid-DX
0100.01300	Stabilizer ram - rigid-1
0200	SLEWING TABLE
0200.00100	Slewing table -Übersicht-1
0200.00200	Slewing table -Übersicht-2
0200.00400	Cover - Left
0200.00500	Slewing column
0200.00600	Attachments - crane column
0200.00650	Main card wiring
0200.00700	Pin-Übersicht
0200.00800	Pin-1
0200.00900	Pin-2
0200.01000	Pin-3
0200.01100	Pin-4
0200.01200	Lifting cylinder
0400	TELESCOPIC BOOM HAUPT-,SCHUBARME
0400.00100	General view-Teleskoparm
0400.00200	Attachments-Hauptteleskop-Fuss
0400.00300	Attachments-Hauptteleskop-Kopf
0400.00400	Attachments-Hauptteleskop-Bügel
0400.00500	Boom extension-1-Fuss
0400.00600	Boom extension-1-Kopf
0400.00700	Boom extension-2-Fuss
0400.00800	Extension
0400.00900	energy chain-Fuss
0400.01000	energy chain-Kopf
0400.01100	Levelling cylinder-Master
0400.01200	Telescopic cylinder
0400.01300	Chain mounting

Table of Contents

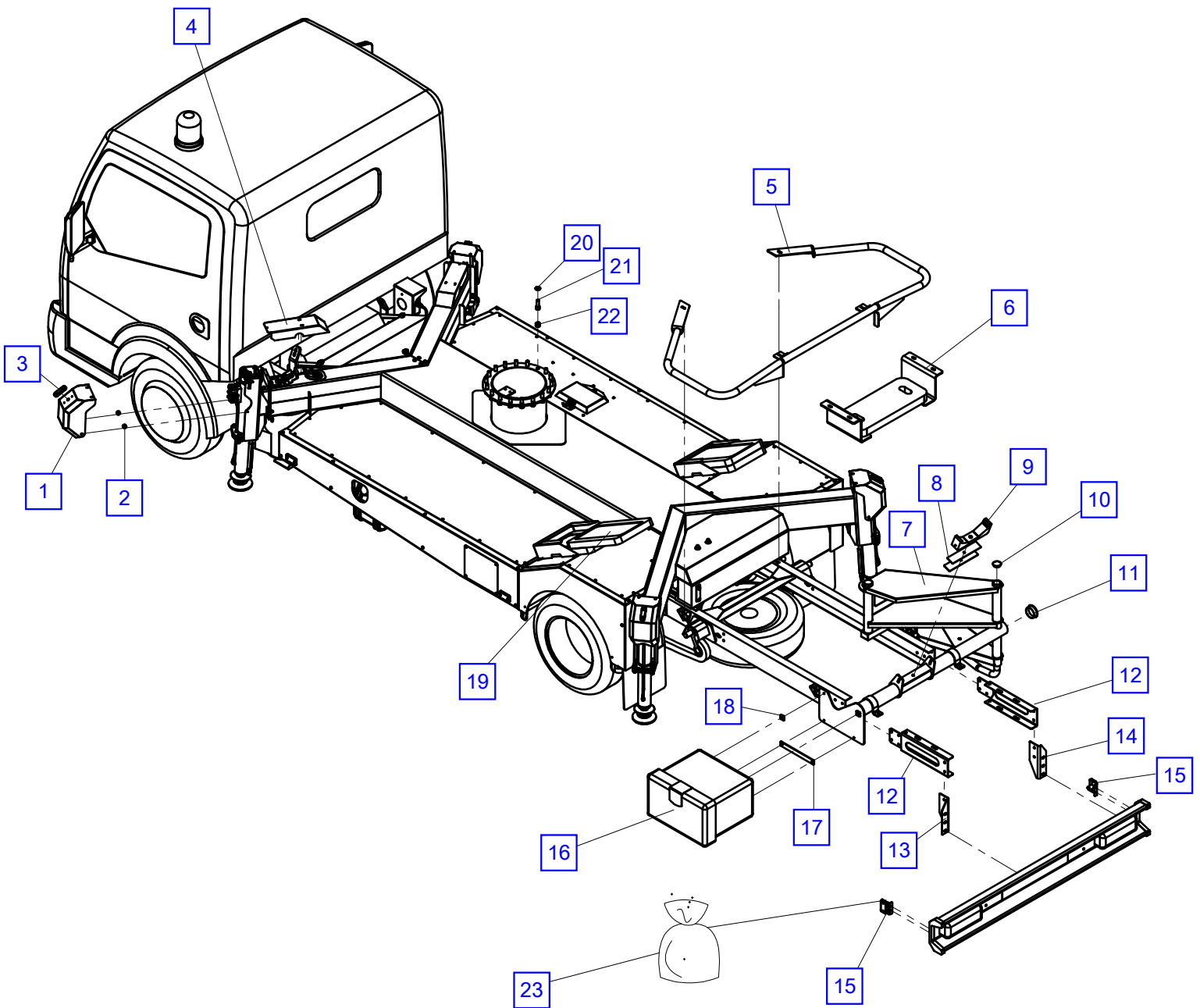
Page	
0500	WORKMAN BASKET
0500.00100	General view
0500.00200	Levelling cylinder
0500.00300	cage carrier
0500.00400	Slewing table
0500.00500	Accessories support
0500.00600	Workman basket
0500.00700	Control - Standing platform
0500.00800	Electrical system
5000	PLATES AND DECALS KIT
0050	Plates and Decals kit

this page is intentionally left blank

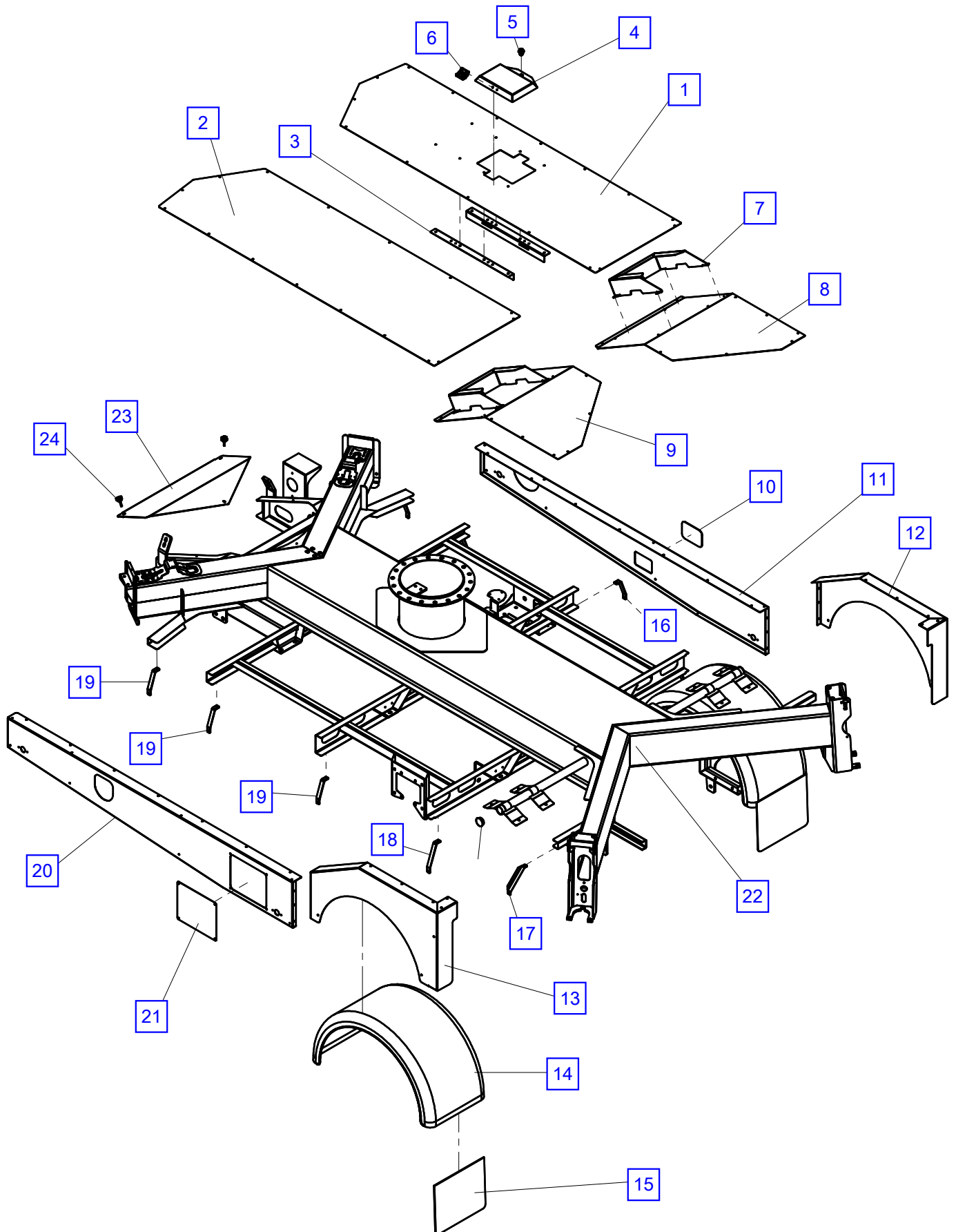




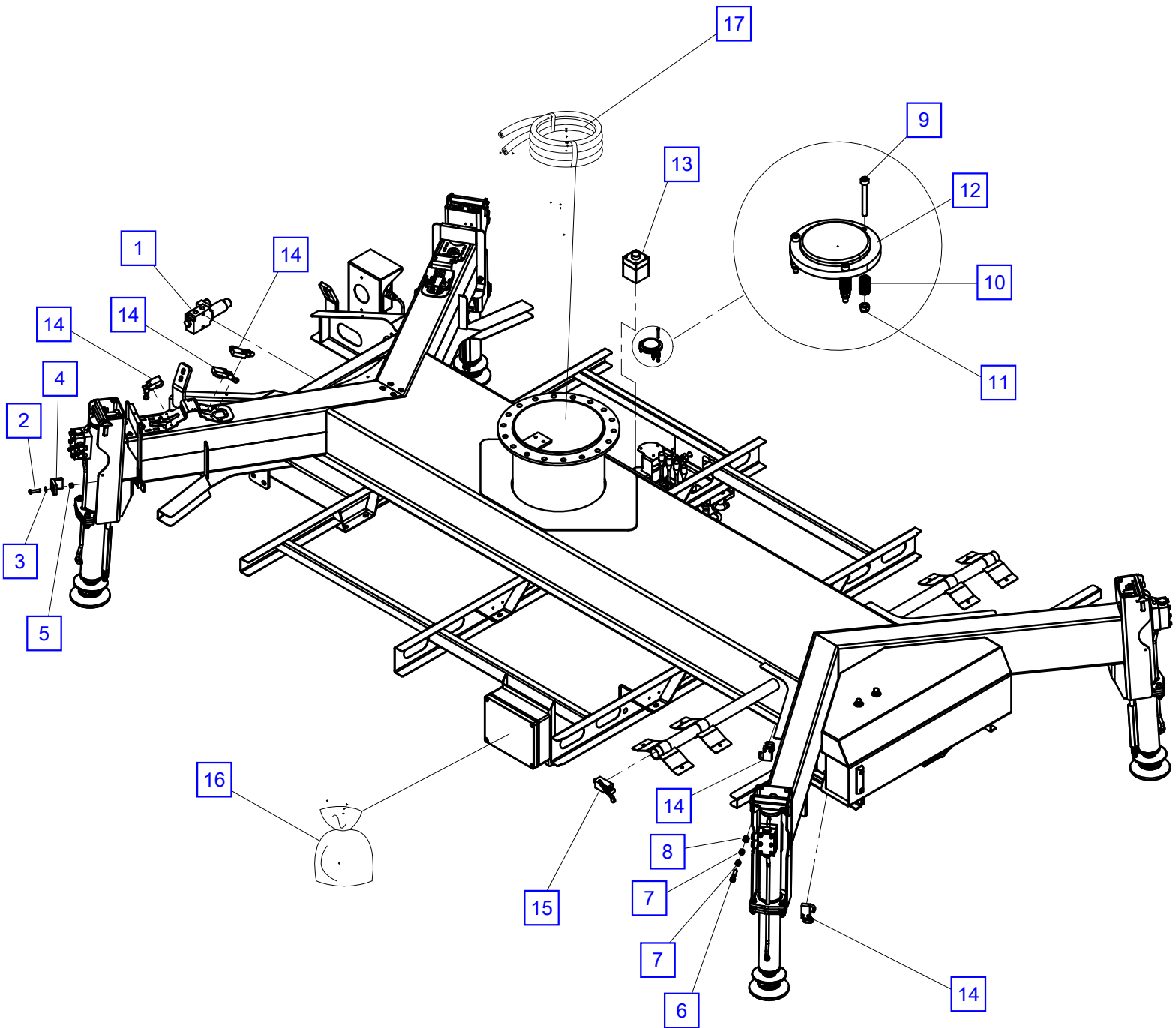
No.	Spare part	Qty.	Description	Dimension
1	B-W130-13-00	1	Bracket	
2	B-W380-11-00	1	counterbearing	
3	B-W740-00-31	1	Electrical system-Cab	
4	B-W700-01-01	1	Pump	
5	B-W700-05-33	1	Power take off	



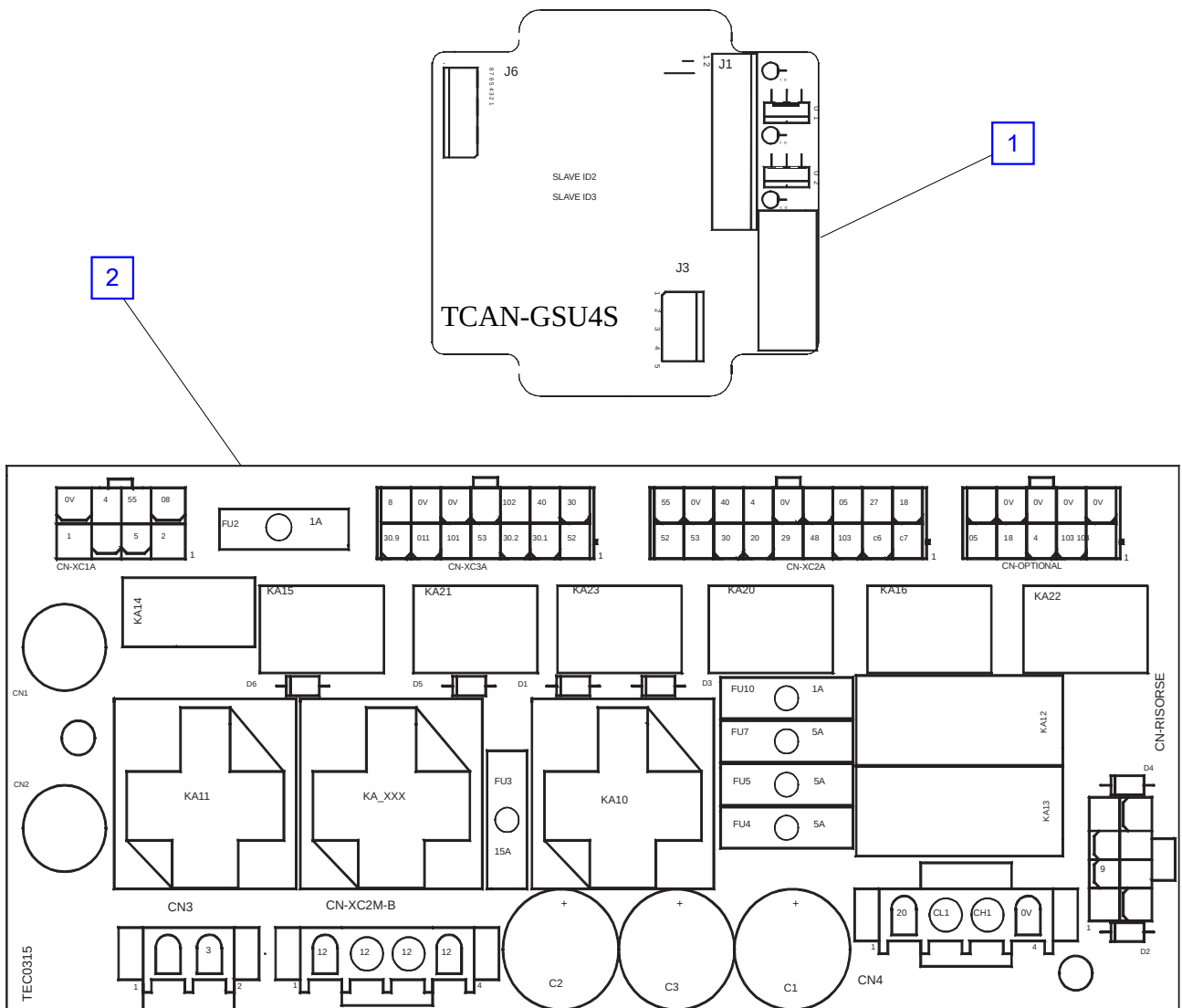
No.	Spare part	Qty.	Description	Dimension
1	B-W140-23-00	4	Cover	
2	B-W400-76-00	8	Spacer	
3	B-W730-06-08	4	LED, orange	
4	B-W140-25-00	4	Cover	
5	B-W110-96-00	1	Underride protection	
6	B-W050-70-00	1	Counterweight	
7	B-W110-27-00	1	stairs segment	
8	B-W400-61-00	2	Plate	
9	B-W400-13-00	1	Armrest	
10	B-W960-01-02	2	Plug	TTN 45
11	B-W960-01-01	1	Plug	TTN 76
12	B-W130-42-00	2	Extensions	
13	B-W140-17-00	1	Bearer	
14	B-W140-18-00	1	Bearer	
15	B-W730-06-01	4	Side light	
16	B-W900-01-00	1	Tool box	
17	B-W140-12-00	1	Holding plate	
18	B-W140-11-00	2	Holding plate	
19	B-W980-00-02	4	Stiffening plate	
20	B-W940-01-33	18	Washer	D.16 UNI 5714 Zn
21	B-W960-01-00	18	Plug	24x17H
22	B-W910-01-76	18	Screw	TCEI M16x55 UNI 5931 12.9 - Zn
23	B-W740-10-86	1	Electrical system-Light	



No.	Spare part	Qty.	Description	Dimension
1	B-W100-64-02	1	Footboard	
2	B-W100-64-01	1	Footboard	
3	B-W100-02-02	2	counterbearing	
4	B-W140-08-00	1	Top cover	
5	B-W970-01-01	1	Door locking	
6	B-W970-00-00	1	Hinge	
7	B-W141-65-00	2	Sleeve	
8	B-W100-16-00	1	Sub-frame	
9	B-W100-15-00	1	Sub-frame	
10	B-W140-47-00	1	Sight glass	
11	B-W110-94-02	1	Cover	
12	B-W110-14-00	1	Cover	
13	B-W110-13-00	1	Cover	
14	B-W940-07-00	2	Fender	
15	B-W990-01-00	2	Rubber mat	
16	B-W141-37-03	1	Bracket	
17	B-W140-06-00	1	Stiffening plate	
18	B-W141-37-02	2	Bracket	
19	B-W141-37-03	5	Bracket	
20	B-W110-94-01	1	Cover	
21	B-W141-38-00	1	Windowpane	
22	B-W090-63-00	1	Main frame	
23	B-W100-41-00	1	Front Footboard	
24	B-W940-90-08	3	wingnut	D.30 M6x20

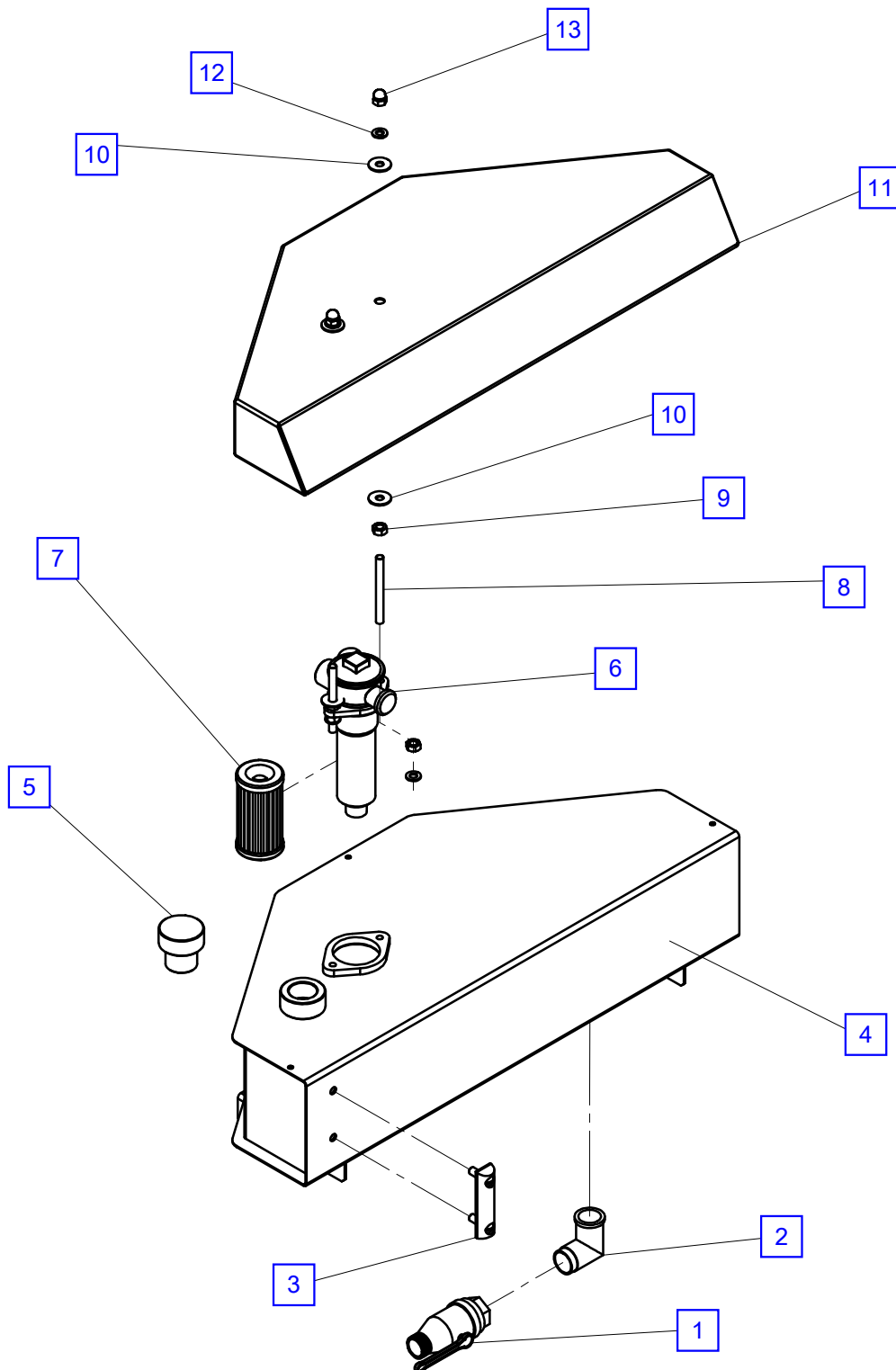


No.	Spare part	Qty.	Description	Dimension
1	B-W700-01-00	1	Hydraulic diverter 2 speeds	
2	B-W910-02-20	16	Screw-TBEI	M8X35 UNI 7380 A2 70
3	B-W940-01-05	16	Washer	8.4x16x1.6 UNI 6592 A2
4	B-W400-71-00	16	Sliding shoe	
5	B-W940-00-02	16	Nut	M8 UNI 7473 A2-70
6	B-W910-01-25	8	Screw-TCEI	M10X55 UNI 5931 A2 70
7	B-W140-34-00	16	Bushing	
8	B-W940-00-12	8	Nut	M10 UNI 7473 A2-70
9	B-W910-01-22	3	Screw-TCEI	M4X35 UNI 5931 A2 70
10	B-W940-11-00	3	Spring	Ø6 - Ø0.7 L=18
11	B-W940-00-14	3	Nut	M4 UNI 7473
12	B-W940-08-00	1	Inclinometer	
13	B-W740-04-07	1	Transmitter	
14	B-W730-03-21	14	Microswitch-XCMD2115L1	
15	B-W730-03-24	1	Microswitch	
16	B-W740-10-55	1	Electrical system	
17	B-W650-04-41	1	Pipe kit	

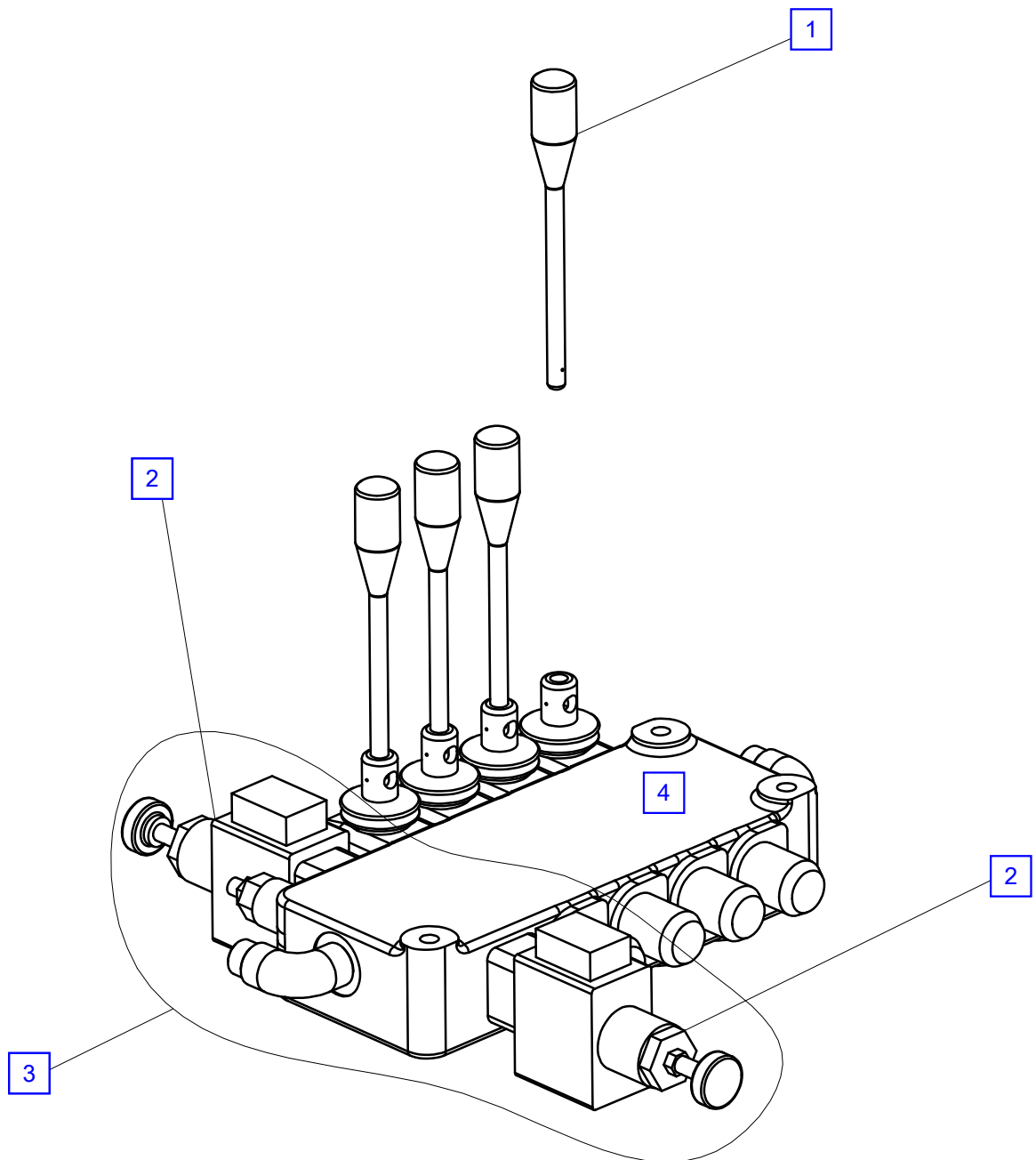


TEC0315

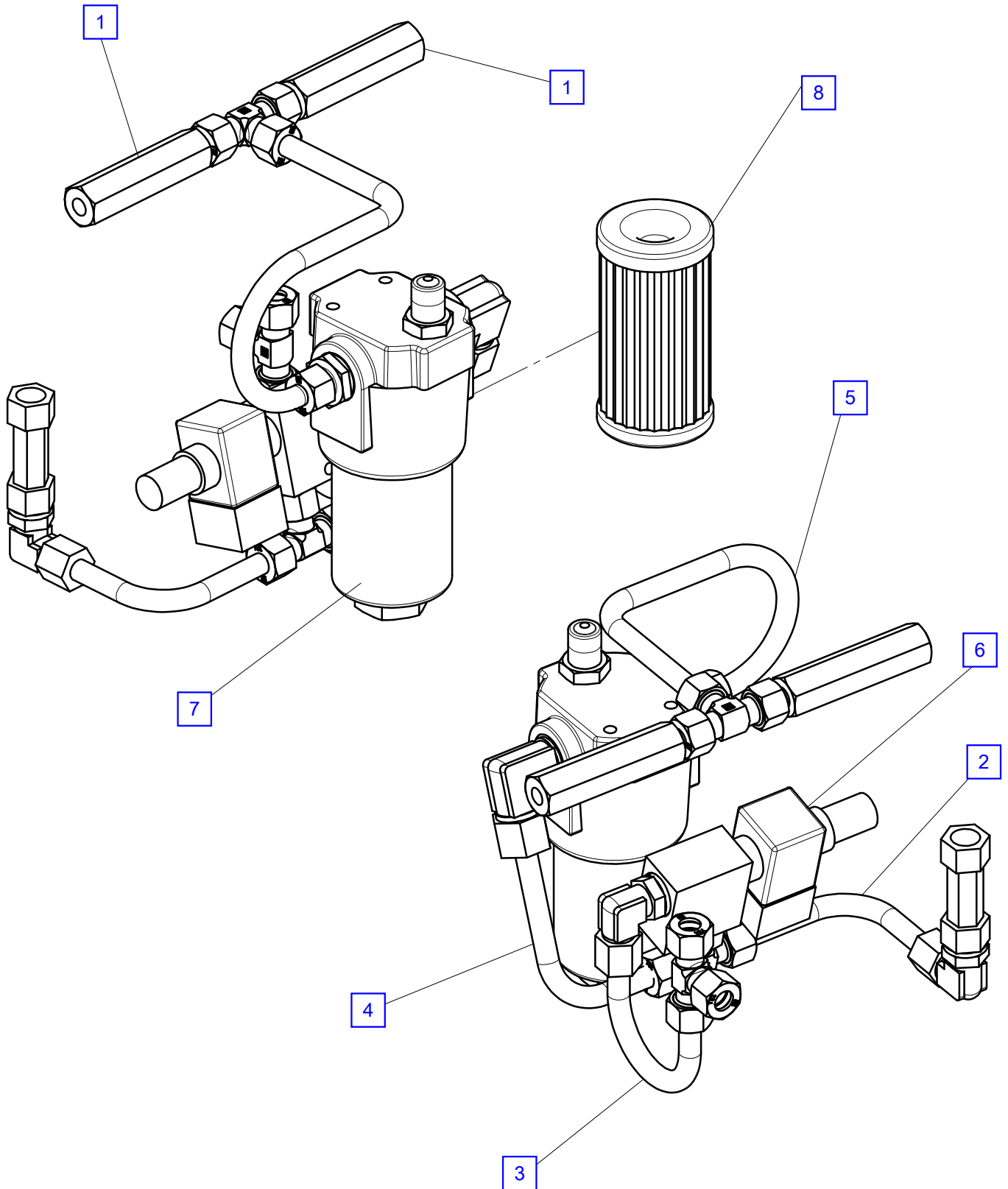
No.	Spare part	Qty.	Description	Dimension
1	B-W740-10-64	1	Wiring Diagram-SLAVE	GSU CAN SL6/7
2	B-W740-03-14	1	Attachment board, cpl.-CPU-TEC0315	



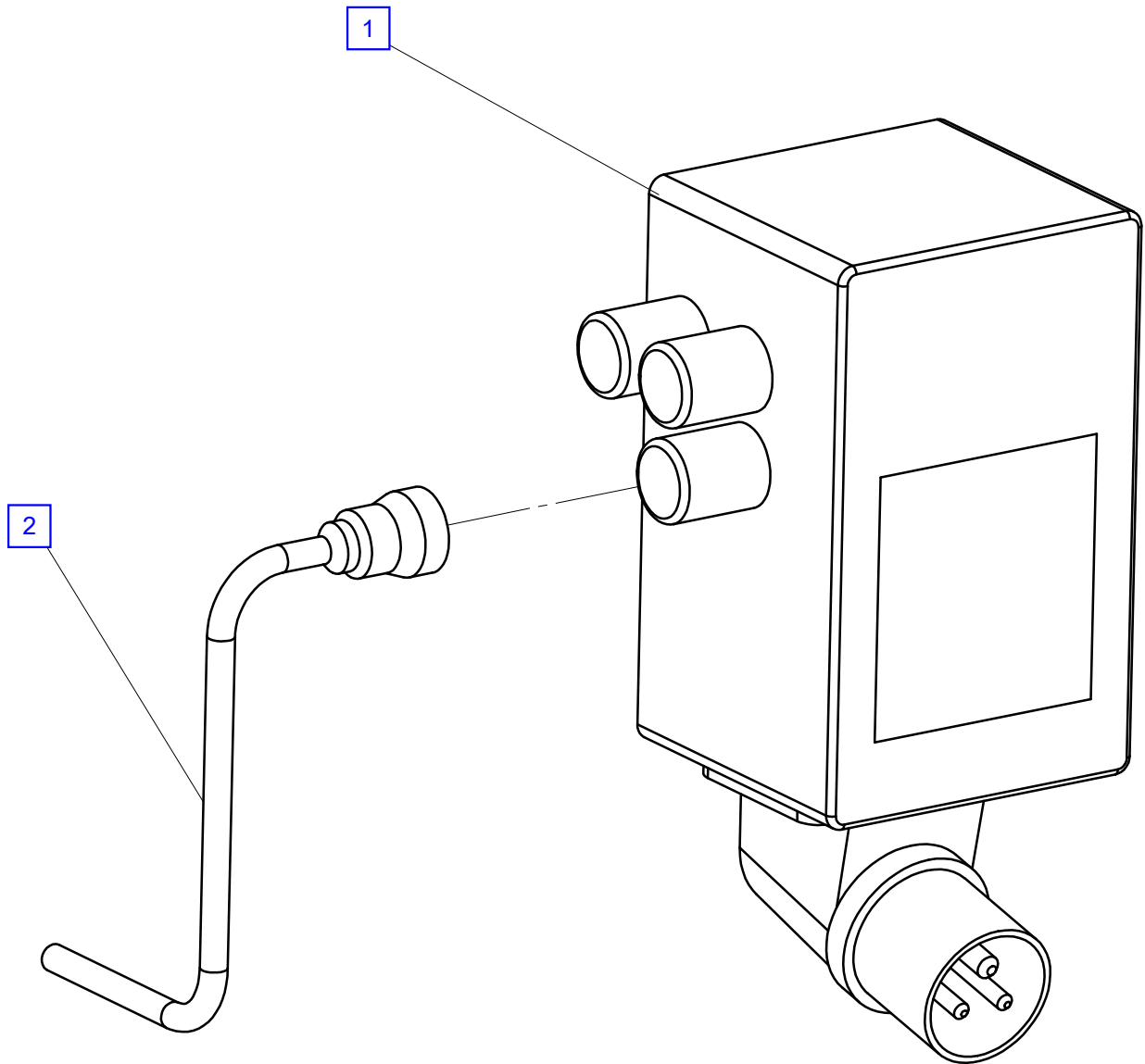
No.	Spare part	Qty.	Description	Dimension
1	B-W640-01-14	1	Shut-off cock	
2	B-W640-01-13	1	Fitting-TN92	
3	B-W940-90-27	1	Oil level sensor	
4	B-W510-05-00	1	Oil tank	
5	B-W960-01-04	1	Plug	1"1/4
6	B-W700-06-05	1	Oil filter	
7	B-W700-08-05	1	Filter element	
8	B-W141-39-00	2	Shaft	
9	B-W940-00-22	2	Nut	M10 UNI 5588 A2-70
10	B-W940-01-22	4	Washer	M10.5x30 UNI 6593
11	B-W110-82-00	1	Cover	
12	B-W940-01-04	2	Washer	10.5x20x2 UNI 6592 A2
13	B-W940-00-23	2	Nut	M10 UNI 5721 A2-70



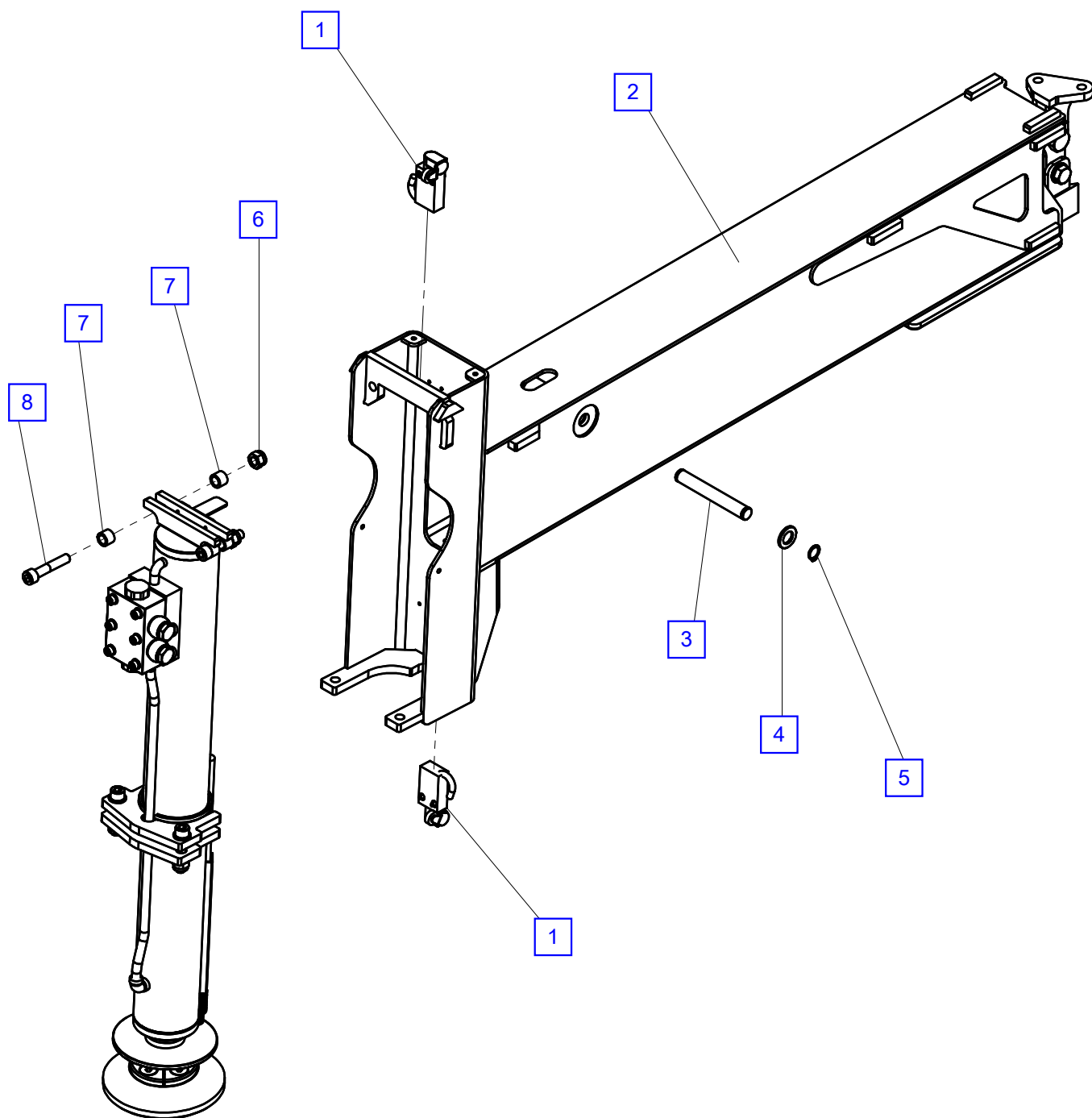
No.	Spare part	Qty.	Description	Dimension
1	B-W730-07-05	4	Control lever	
2	B-W740-06-05	2	12V-/Magnet valve with choke	
3	B-W700-12-26	1	Control rod	
4	B-W700-01-10	1	Control valve	



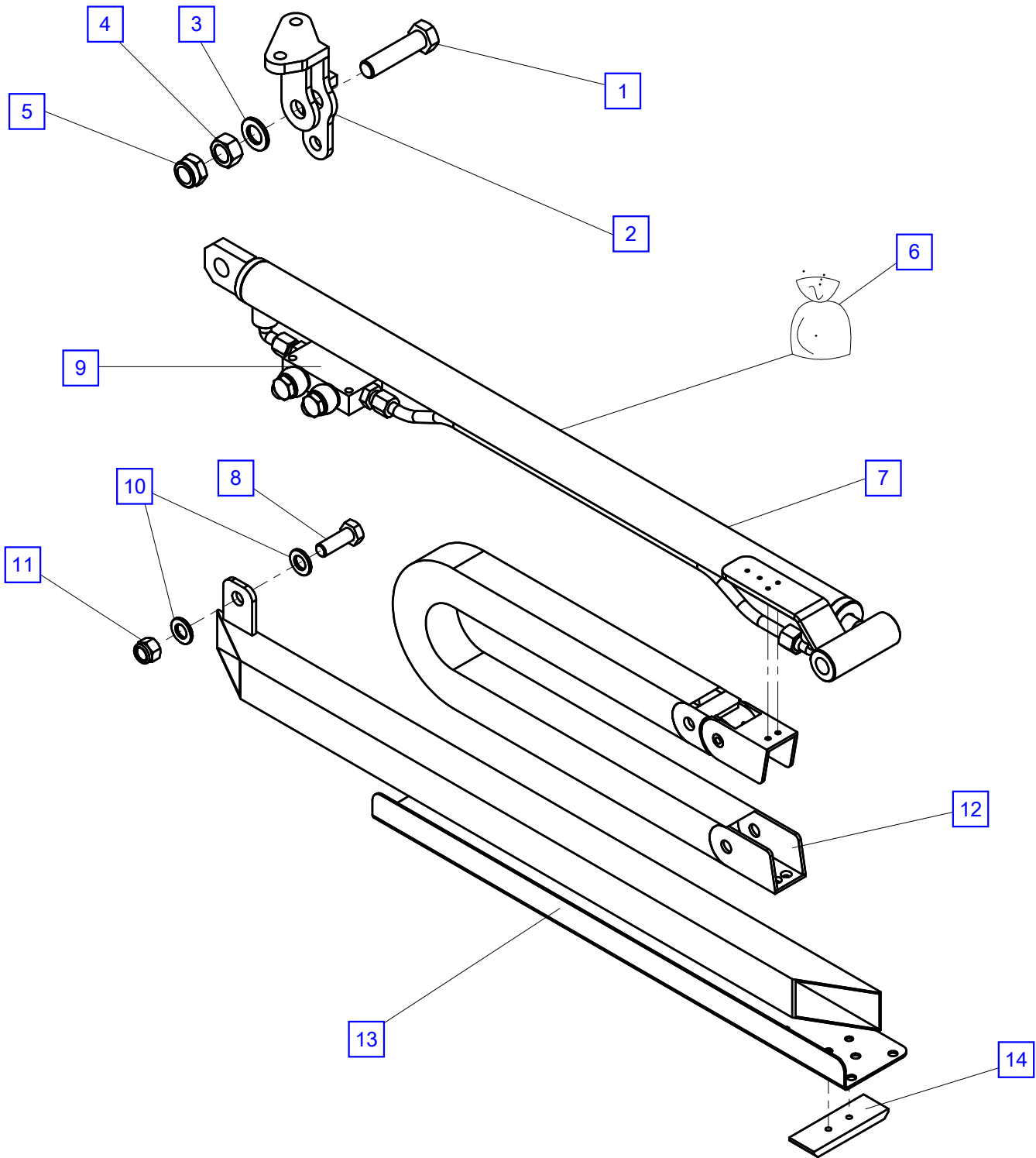
No.	Spare part	Qty.	Description	Dimension
1	B-W700-01-39	2	Check valve-F-3/8"-2.5Bar	
2	B-W660-00-29	1	Pipe	
3	B-W660-00-28	1	Pipe	
4	B-W660-00-27	1	Pipe	
5	B-W660-00-06	1	Pipe	
6	B-W700-04-07	1	Magnet valve, cpl.	
7	B-W700-06-02	1	High pressure filter	
8	B-W700-08-01	1	Filter element	V3.0510



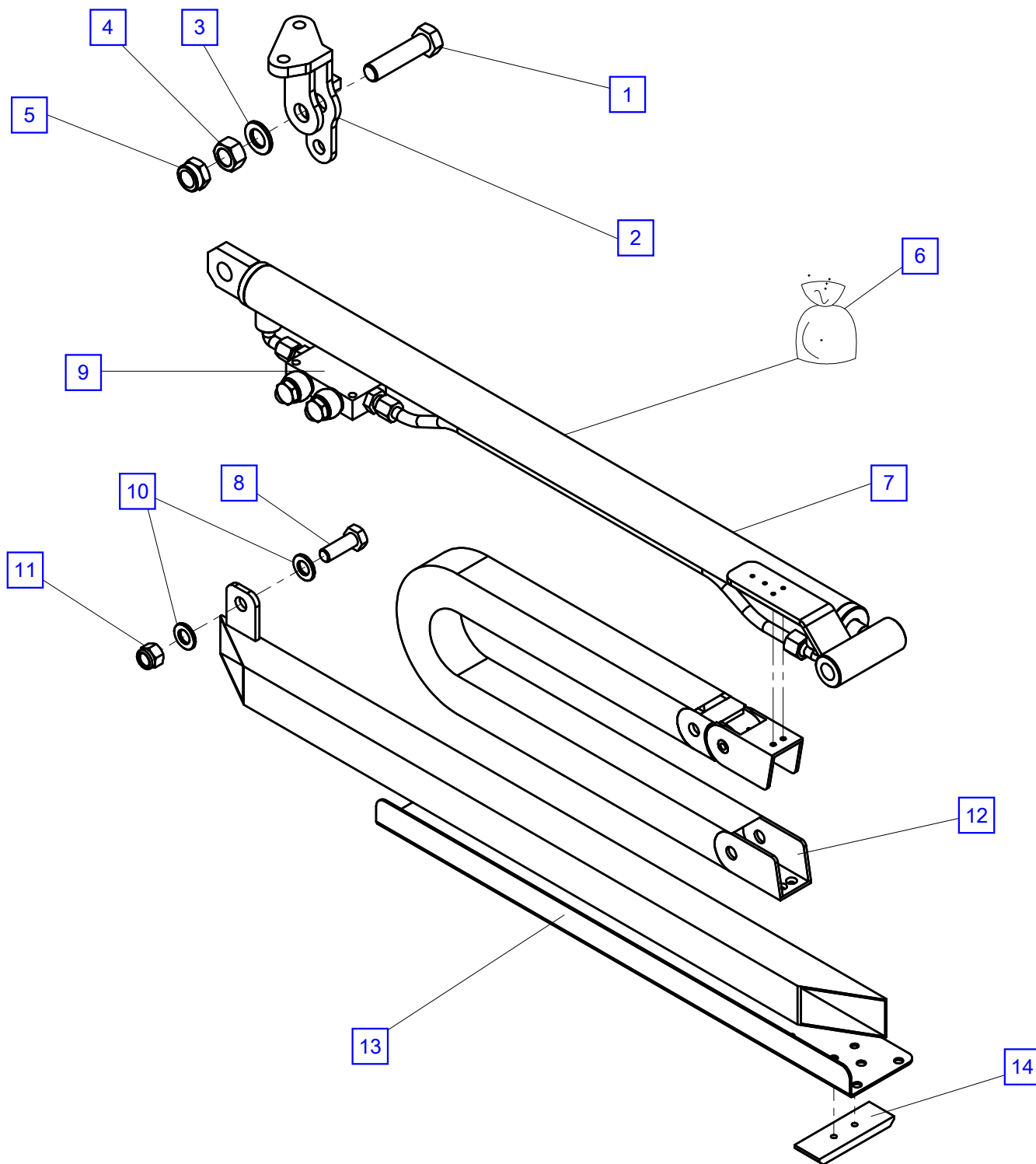
No.	Spare part	Qty.	Description	Dimension
1	B-W740-06-42	1	Switch 220V	
2	B-W740-05-35	1	Cable for 230V	



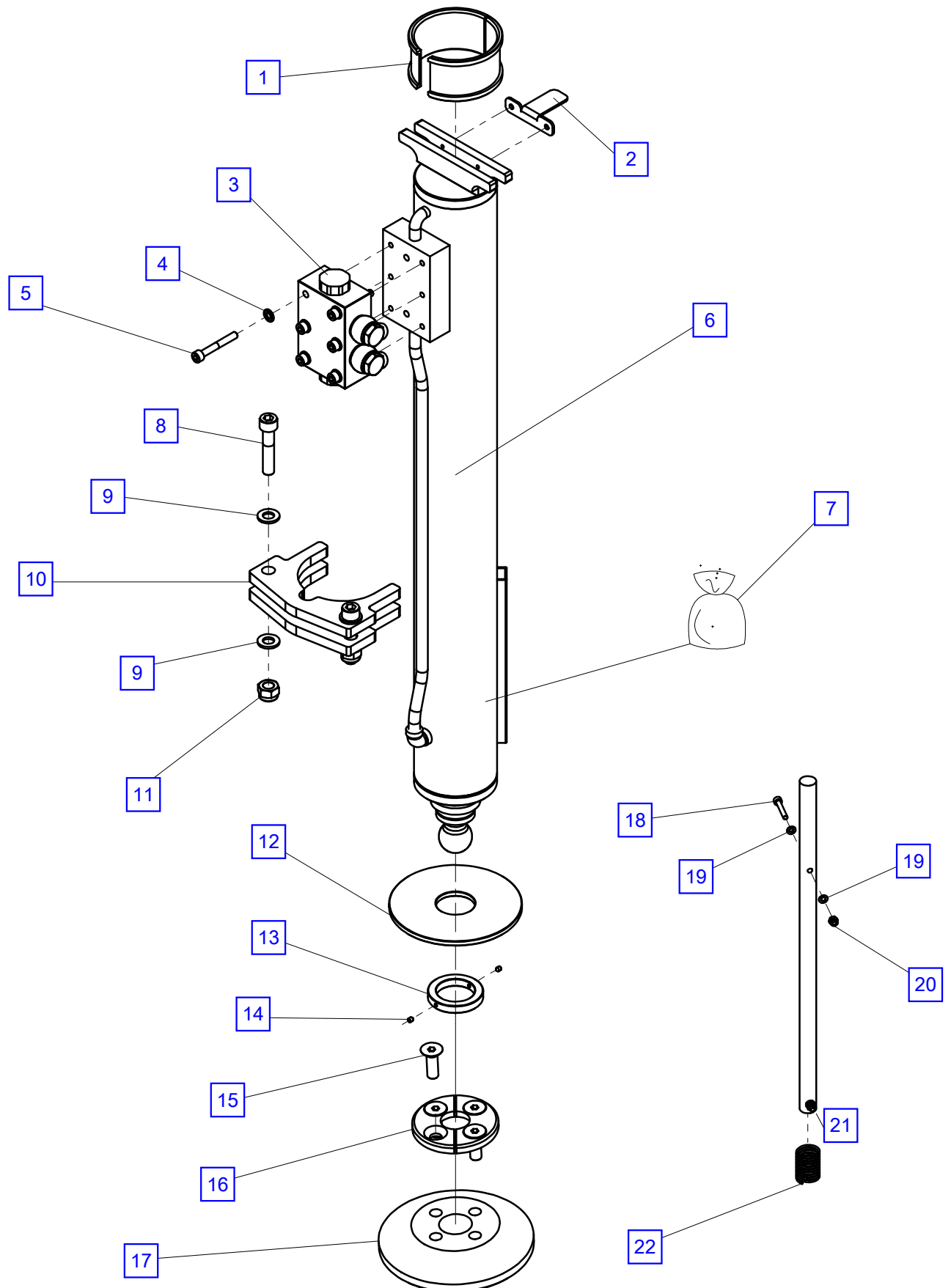
No.	Spare part	Qty.	Description	Dimension
1	B-W730-03-21	2	Microswitch-XCMD2115L1	
2	B-W080-14-00	1	Cross beam	
3	B-W551-72-00	1	Pin	
4	B-W940-01-18	2	Washer	16x27x2.5 UNI 1750 A2 70
5	B-W940-04-14	1	Lug	D.15 UNI 7435
6	B-W940-00-12	2	Nut	M10 UNI 7473 A2-70
7	B-W140-34-00	4	Bushing	
8	B-W910-01-25	1	Screw-TCEI	M10X55 UNI 5931 A2 70



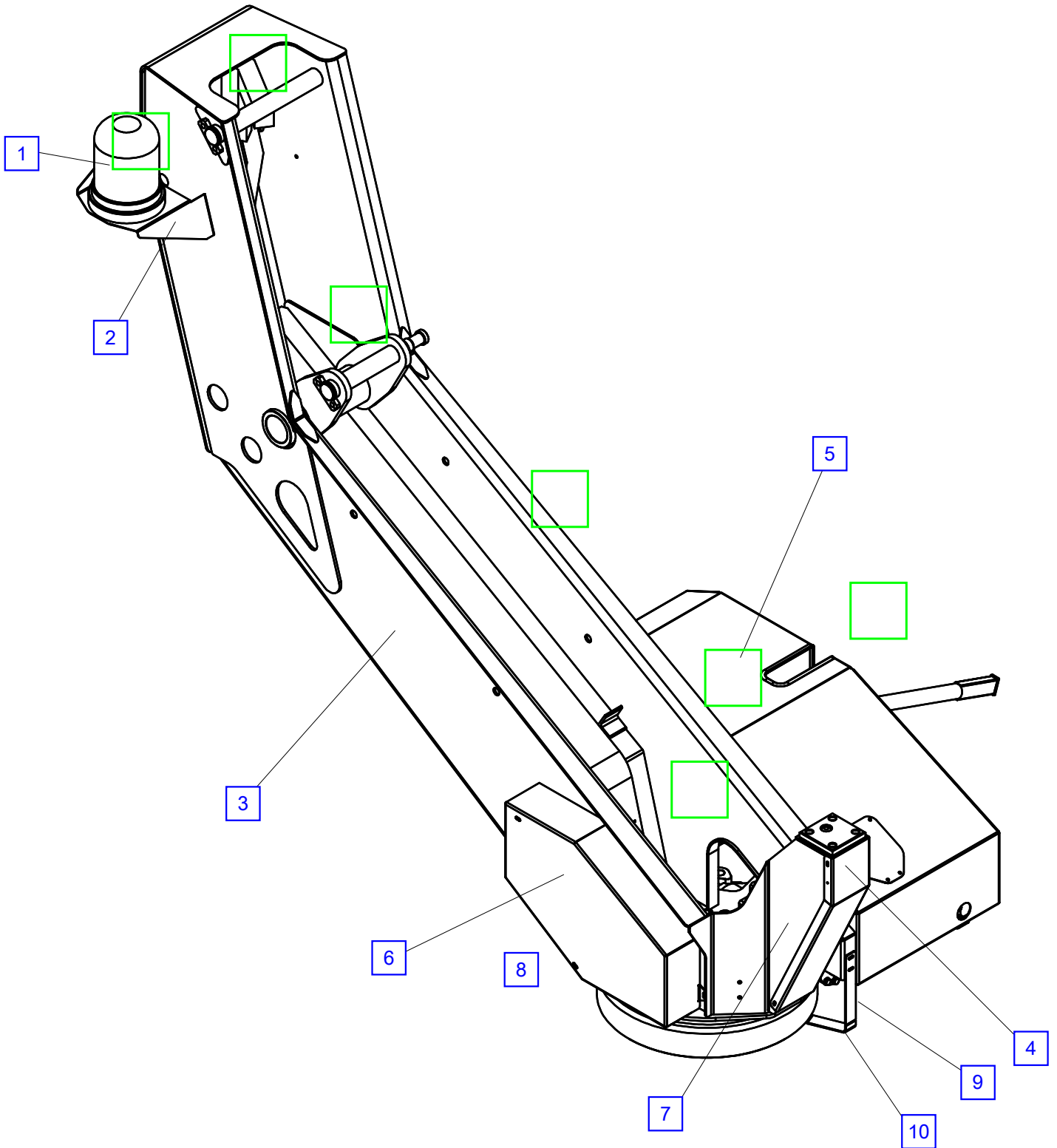
No.	Spare part	Qty.	Description	Dimension
1	B-W910-00-53	1	Screw-TE	M16x65 UNI 5737 A2 70
2	B-W141-20-00	1	Jamb	
3	B-W940-01-08	1	Washer	17x30X3 UNI 6592
4	B-W940-00-19	1	Nut	M16 UNI 5588 A2-70
5	B-W940-00-40	1	Nut-SELF-LOCKING	M16
6	B-W720-00-12	1	Seal kit for bracket	
7	B-W500-64-00	1	Horizontal cylinder	
8	B-W910-00-39	1	Screw-TE	M12x35 Zn UNI 5739
9	B-W700-01-45	1	Load holding valve, cpl.	
10	B-W940-01-17	2	Washer	13x24x2.5 UNI 6592
11	B-W940-00-20	1	Nut-SELF-LOCKING	M12 UNI 7473 A2 70
12	B-W690-00-18	1	Pulling chains	
13	B-W230-20-00	1	Cable duct	
14	B-W401-89-00	1	Guide block	



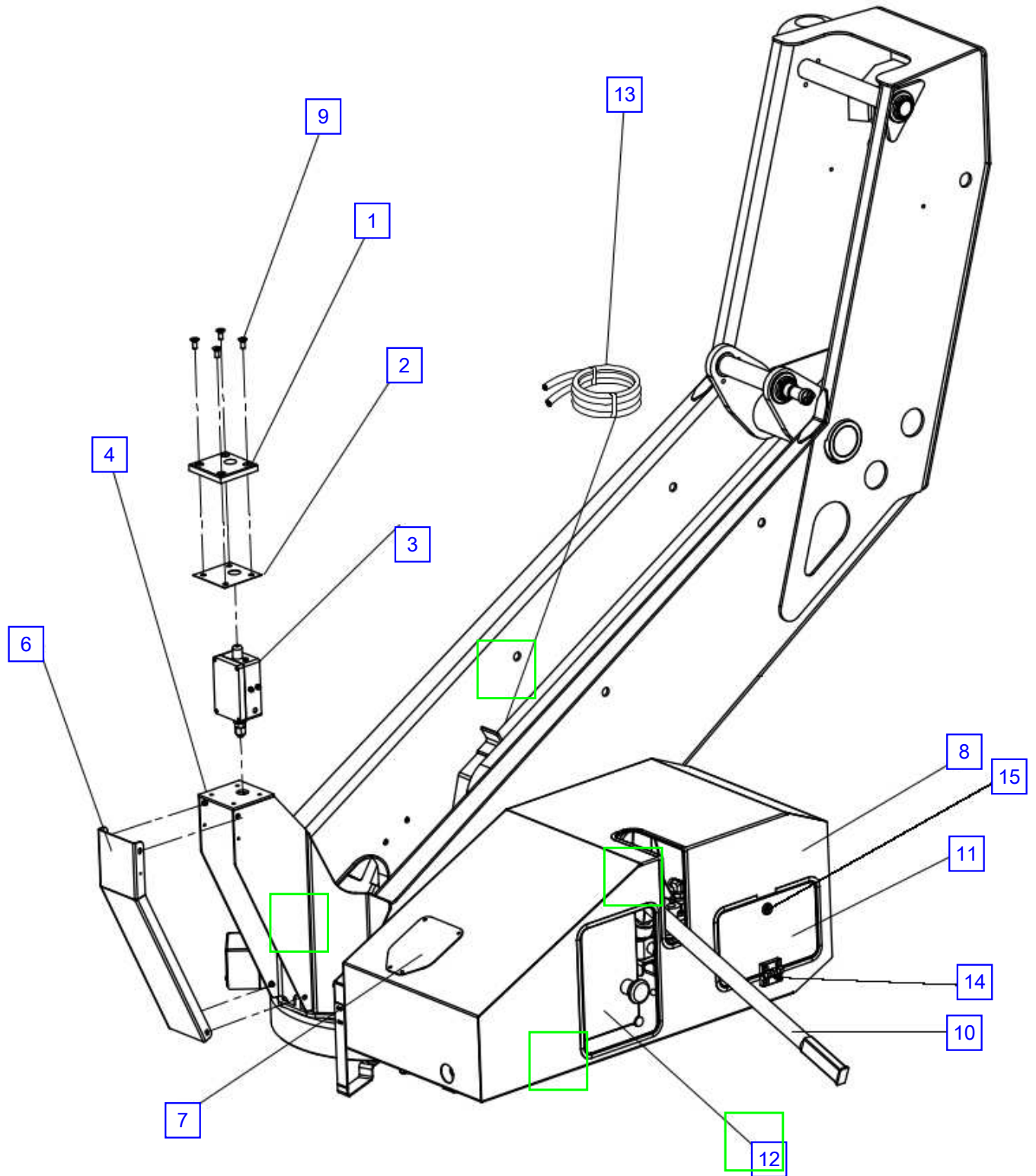
No.	Spare part	Qty.	Description	Dimension
1	B-W910-00-53	1	Screw-TE	M16x65 UNI 5737 A2 70
2	B-W141-20-00	1	Jamb	
3	B-W940-01-08	1	Washer	17x30X3 UNI 6592
4	B-W940-00-19	1	Nut	M16 UNI 5588 A2-70
5	B-W940-00-40	1	Nut-SELF-LOCKING	M16
6	B-W720-00-12	1	Seal kit for bracket	
7	B-W500-65-00	1	Horizontal cylinder	
8	B-W910-00-39	1	Screw-TE	M12x35 Zn UNI 5739
9	B-W700-01-45	1	Load holding valve, cpl.	
10	B-W940-01-17	2	Washer	13x24x2.5 UNI 6592
11	B-W940-00-20	1	Nut-SELF-LOCKING	M12 UNI 7473 A2 70
12	B-W690-00-18	1	Pulling chains	
13	B-W230-20-00	1	Cable duct	
14	B-W401-89-00	1	Guide block	



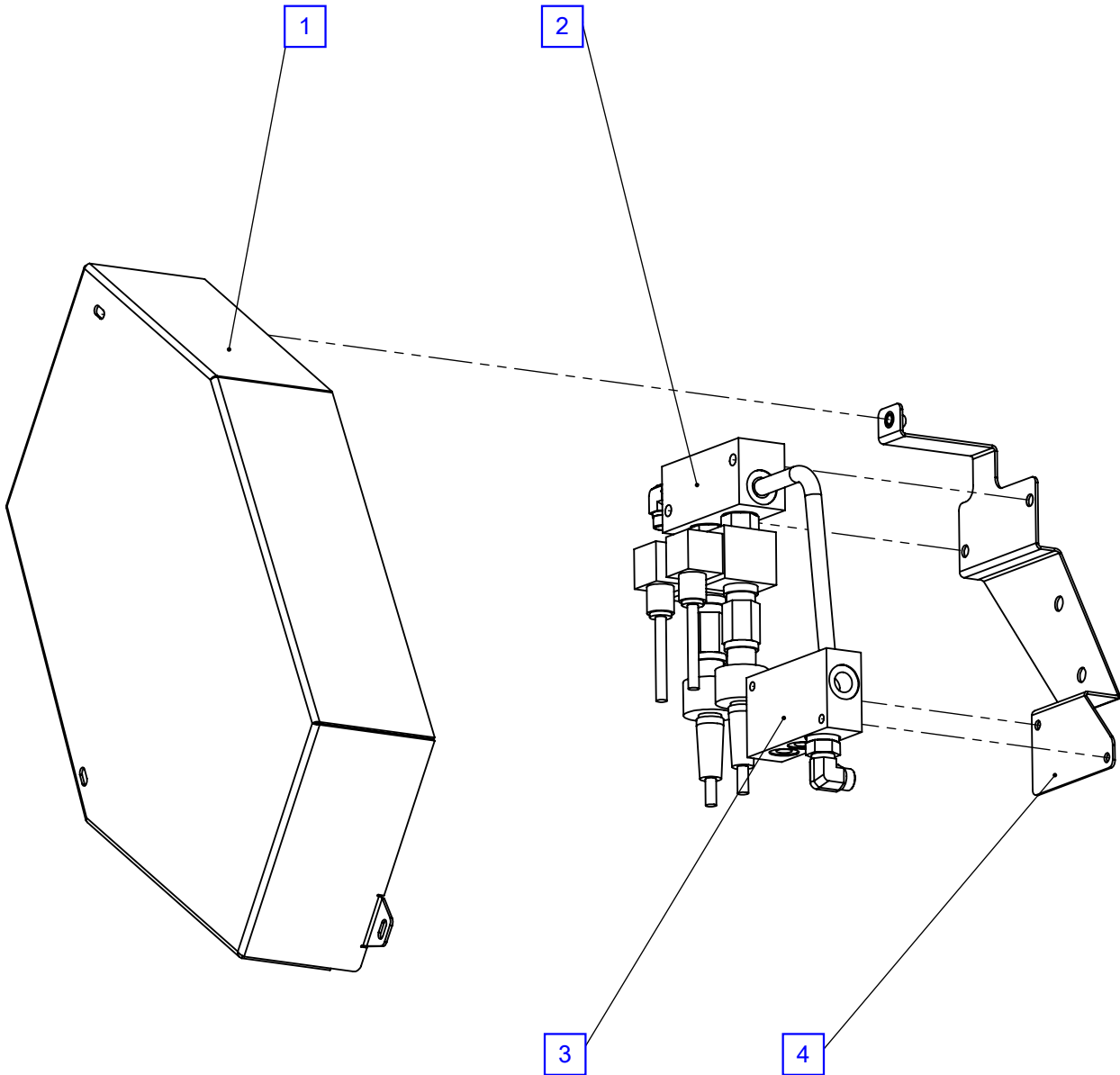
No.	Spare part	Qty.	Description	Dimension
1	B-W401-66-00	1	Bushing	
2	B-W140-33-00	1	Limit switch bracket	
3	B-W700-01-12	1	Load holding valve	
4	B-W940-01-54	6	Washer-SCHNORR	Ø6 - A2 70
5	B-W910-01-48	1	Screw-TCEI	M6X45 UNI 5931 A2 70
6	B-W500-10-00	1	Stabilizer ram	
7	B-W720-00-11	1	Seal kit firm	
8	B-W910-01-45	2	Screw-TCEI	M10X50 UNI 5931 A2 70
9	B-W940-01-04	4	Washer	10.5x20x2 UNI 6592 A2
10	B-W140-20-00	2	Cylinder bracket	
11	B-W940-00-12	2	Nut	M10 UNI 7473 A2-70
12	B-W140-21-00	1	Support control	
13	B-W140-35-00	1	Holding ring	
14	B-W910-05-11	2	Set screw	M4 5927 4x5 Zn
15	B-W910-06-23	4	Screw-TSPEI	M10x30 UNI 5933 A2
16	B-W080-02-00	1	Stabilizer plate reception	
17	B-W401-65-00	1	Flat feet stabilizer	
18	B-W910-01-09	1	Screw-TCEI	M4X25 UNI 5739 A2 70
19	B-W940-01-34	2	Washer	D.4 UNI 6592 A2 70
20	B-W940-00-14	1	Nut	M4 UNI 7473
21	B-W400-77-00	1	Sliding beam mount	
22	B-W940-11-08	1	Pressure spring	CO62



No.	Spare part	Qty.	Description	Dimension
1	B-W730-06-00	1	Side light	
2	B-W160-04-11	1	Bearer	
3	B-W160-03-00	1	Slewing column	
4	B-W110-29-00	1	Cover	
5	B-W650-05-03	1	Hose package, cpl.	
6	B-W190-21-00	1	Top cover	
7	B-W190-25-00	1	Tray	
8	B-W110-24-00	1	Cover	
9	B-W190-10-00	1	Pointer	
10	B-W190-14-00	1	Bearer	

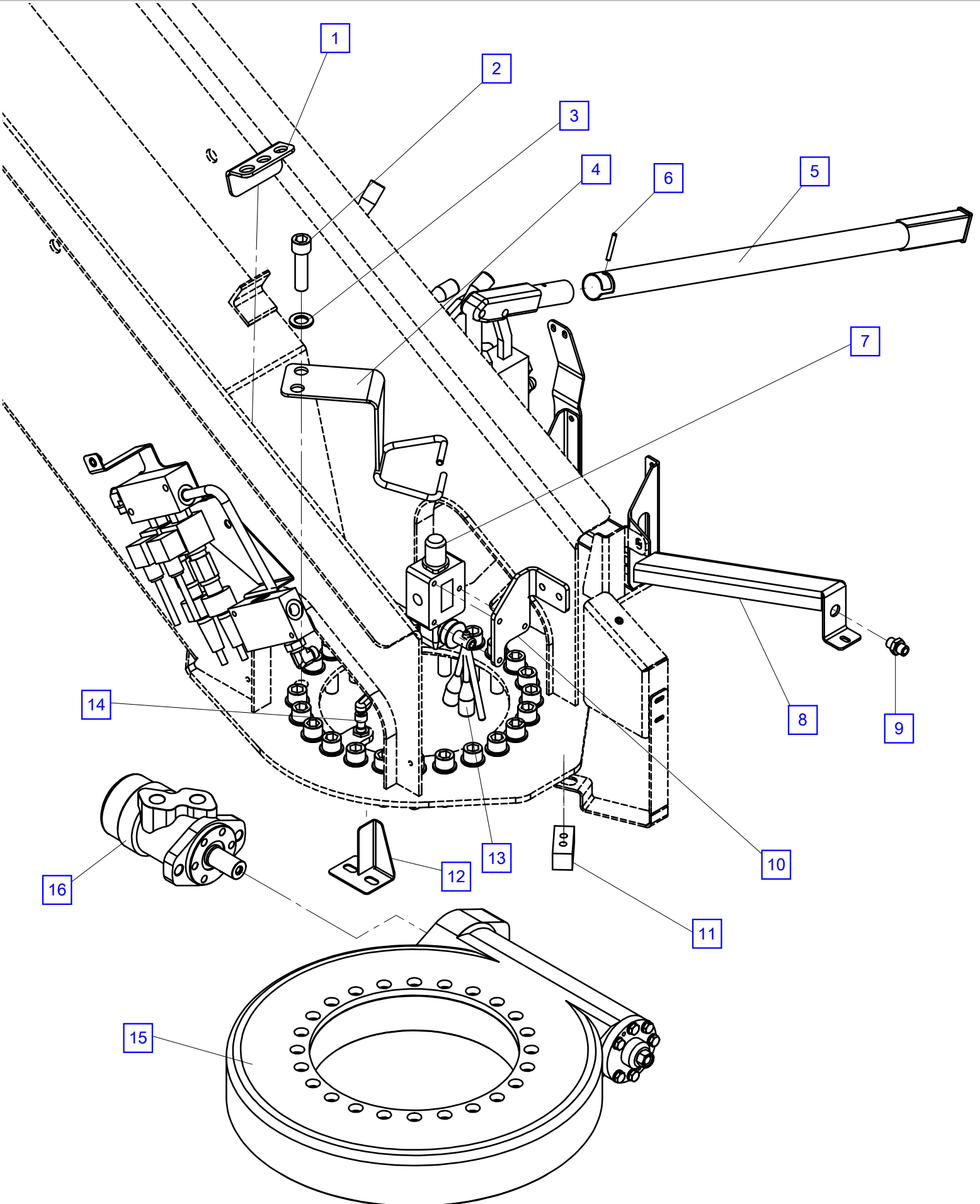


No.	Spare part	Qty.	Description	Dimension
1	B-W400-97-00	1	Armrest	
2	B-W400-98-00	1	Distance plate	
3	B-W740-00-70	1	End layer limiting switch	
4	B-W190-25-00	1	Tray	
6	B-W110-29-00	1	Cover	
7	B-W160-04-10	1	Cover plate	
8	B-W110-18-00	1	Top cover	
9	B-W910-06-04	4	Screw-TSPEI	M8x20 UNI 5933 A2
10	B-W730-07-03	1	Handle	
11	B-W110-06-02	1	Cover	
12	B-W740-10-56	1	Electrical system	
13	B-W650-05-03	1	Hose package, cpl.	
14	B-W970-00-00	1	Hinge	
15	B-W970-01-01	1	Door locking	

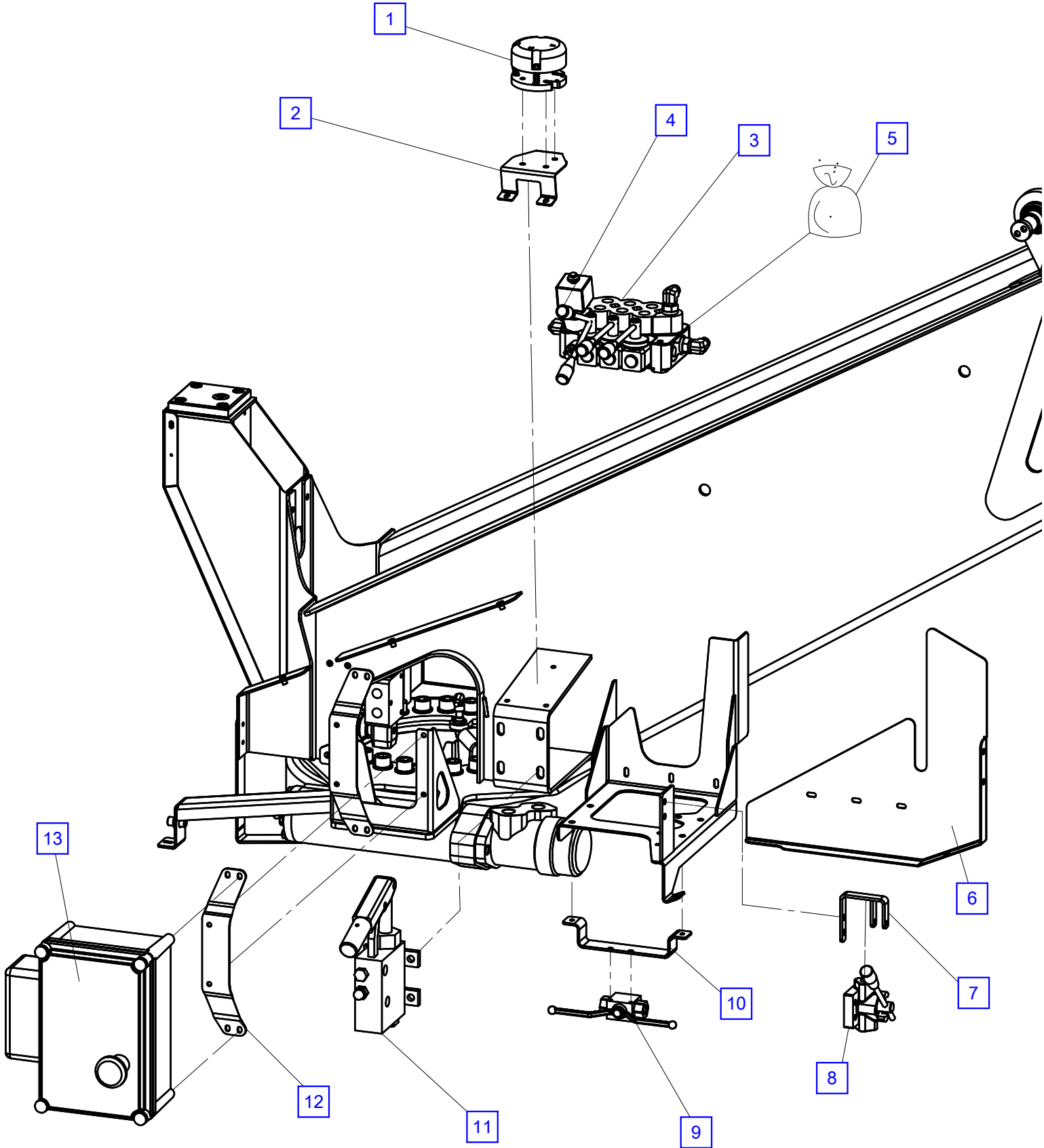


No.	Spare part	Qty.	Description	Dimension
1	B-W190-21-00	1	Top cover	
2	B-W700-04-04	1	Control valve	
3	B-W700-04-05	1	Valve	
4	B-W190-18-00	1	Bearer	

Slewing column

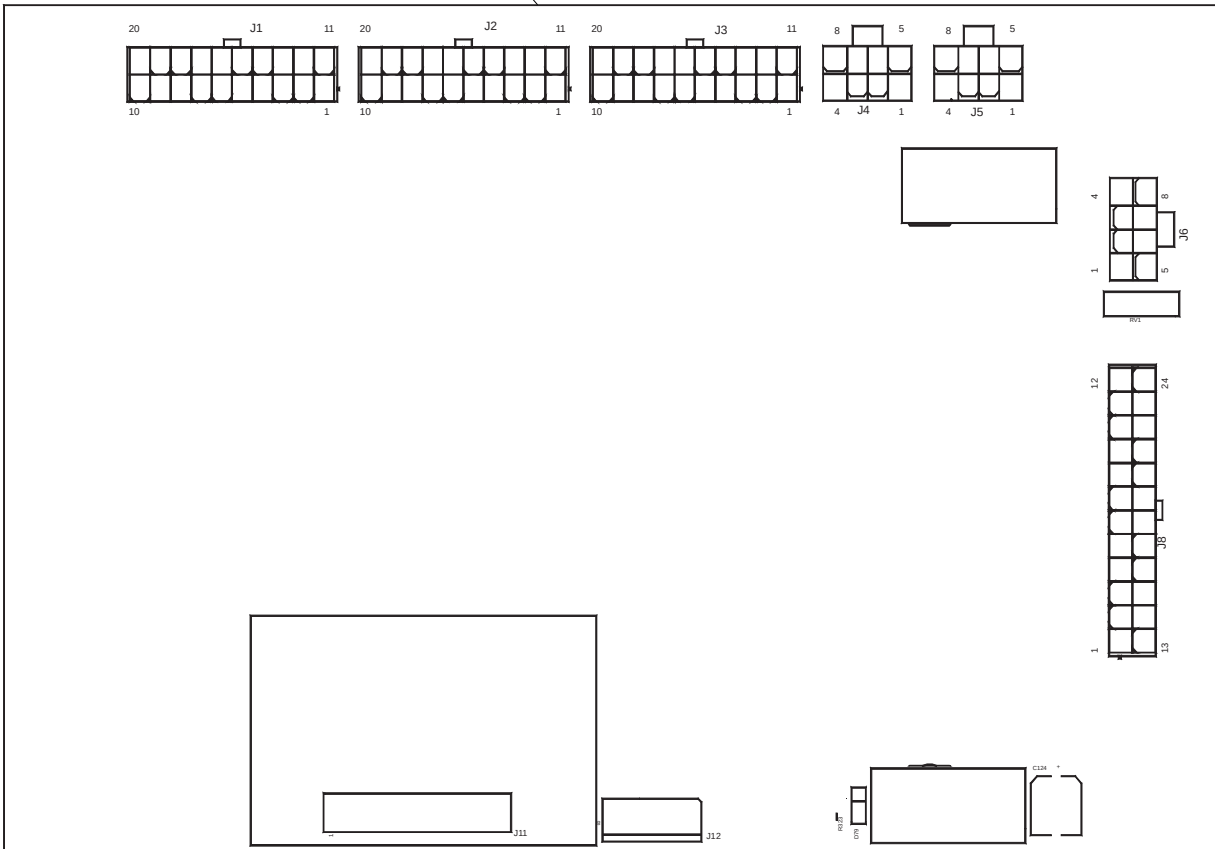


No.	Spare part	Qty.	Description	Dimension
1	B-W190-22-00	1	Attaching bracket	
2	B-W910-01-58	24	Screw-TCEI	M16x70 UNI 5931 12.9 Z.Lam.
3	B-W940-01-33	24	Washer	D.16 UNI 5714 Zn
4	B-W190-09-00	1	Hose guide	
5	B-W190-12-00	1	Hand lever	
6	B-W940-04-01	1	Lug	D.20 UNI 7435
7	B-W700-01-16	1	Solenoid valve	
8	B-W050-39-00	1	Bearer	
9	B-W950-01-00	1	Fitting	
10	B-W160-04-05	1	Attaching bracket	
11	B-W190-06-00	1	Central lubrication system	
12	B-W190-03-00	1	Attaching bracket	
13	B-W730-07-04	1	Lever-L115	
14	B-W740-06-03	1	Sensor - neutral position	
15	B-W630-00-01	1	Slewing	
16	B-W700-01-15	1	Motor	



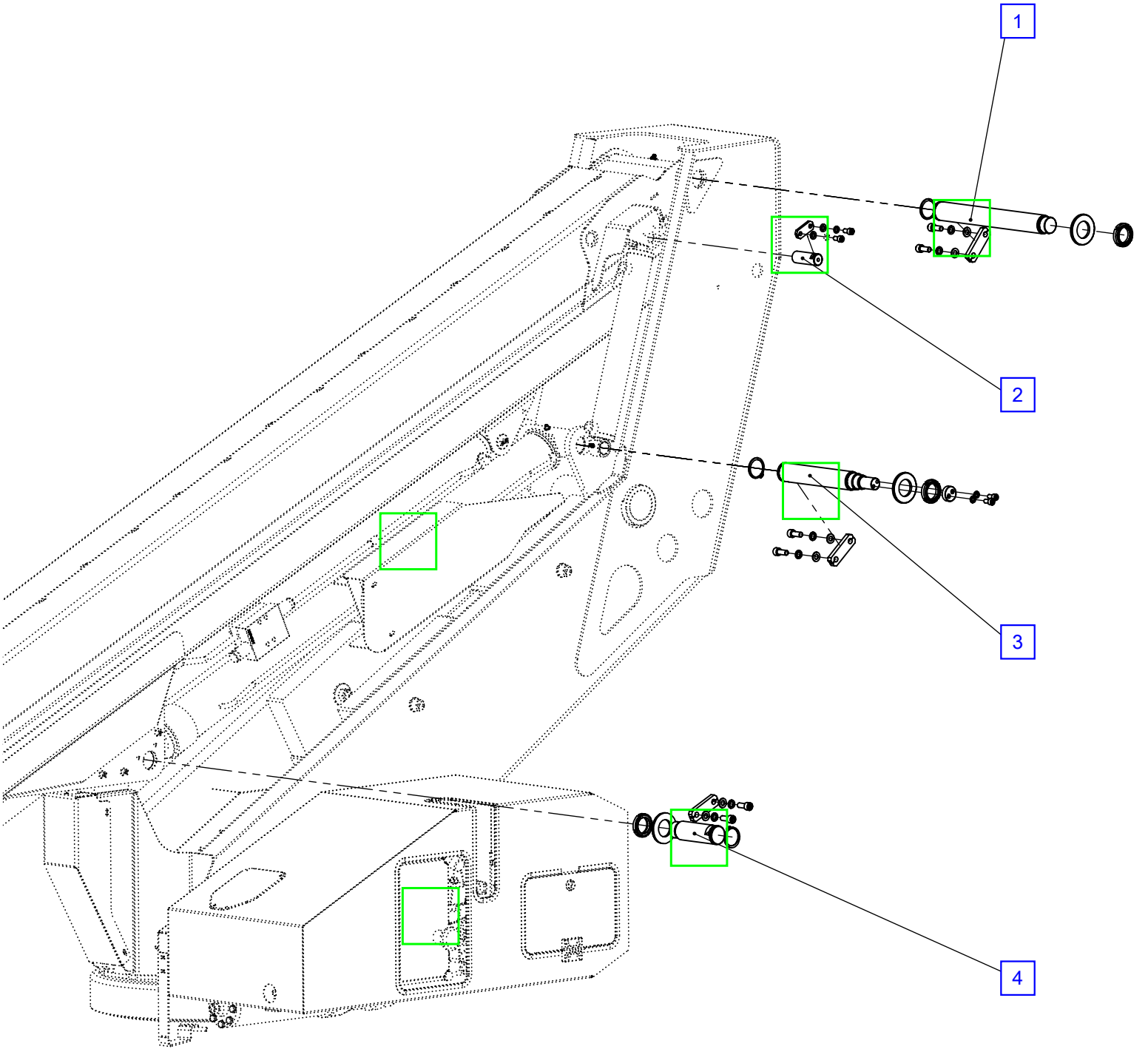
No.	Spare part	Qty.	Description	Dimension
1	B-W740-06-16	1	Inclination sensor	
2	B-W190-27-00	1	Positioner mast	
3	B-W700-00-01	1	Control valve	
4	B-W730-07-06	3	Positioner arm	
5	B-W720-02-06	1	Seal kit firm	
6	B-W110-12-00	1	Cover	
7	B-W190-76-00	1	Bearer	
8	B-W700-01-17	1	Diverter block	
9	B-W640-01-32	1	Ball cock	
10	B-W160-06-00	1	Lever bearing	
11	B-W700-01-08	1	Hand pump	
12	B-W160-05-00	1	Bearer	
13	B-W740-10-56	1	Electrical system	

1

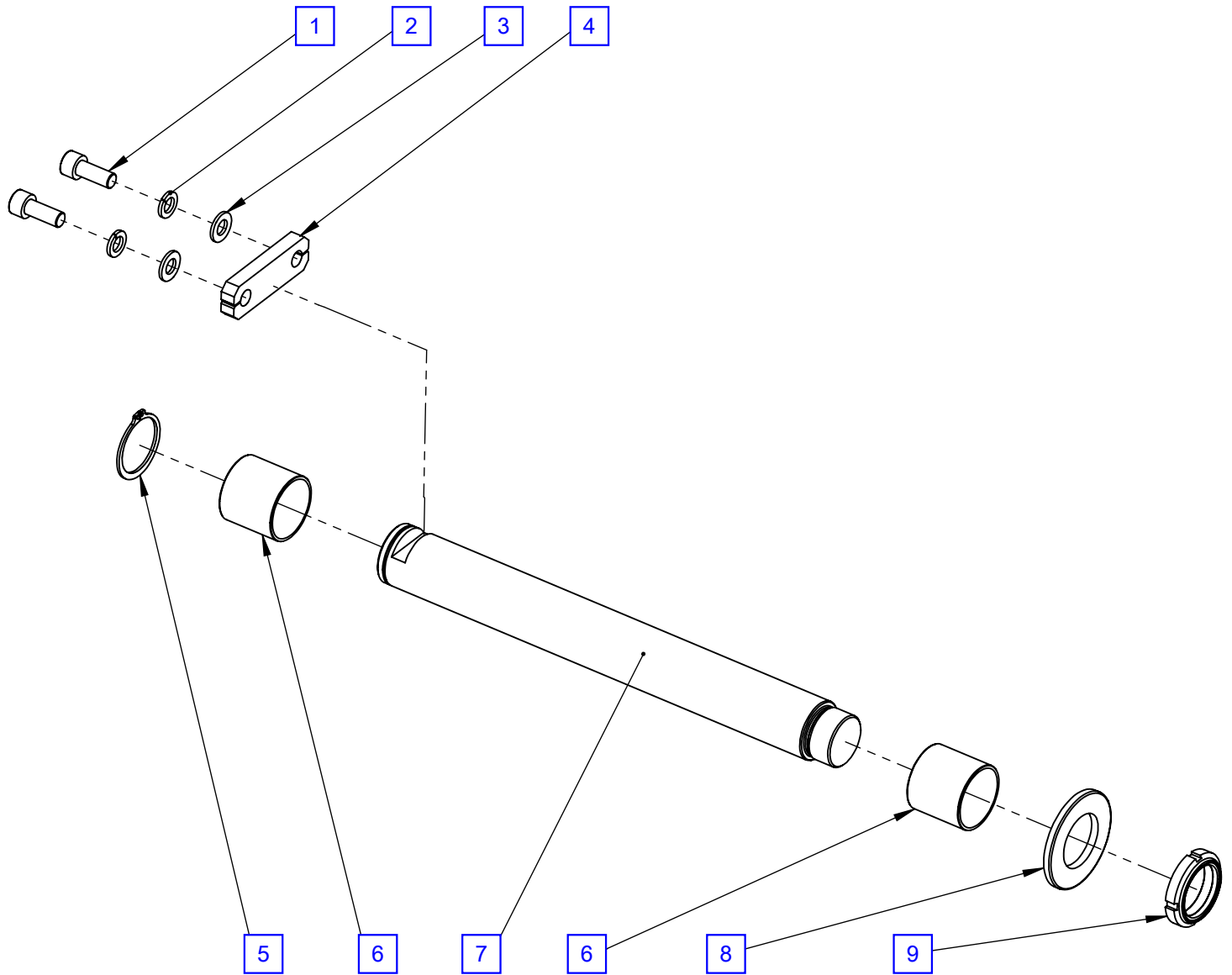


TCAN-MU2S

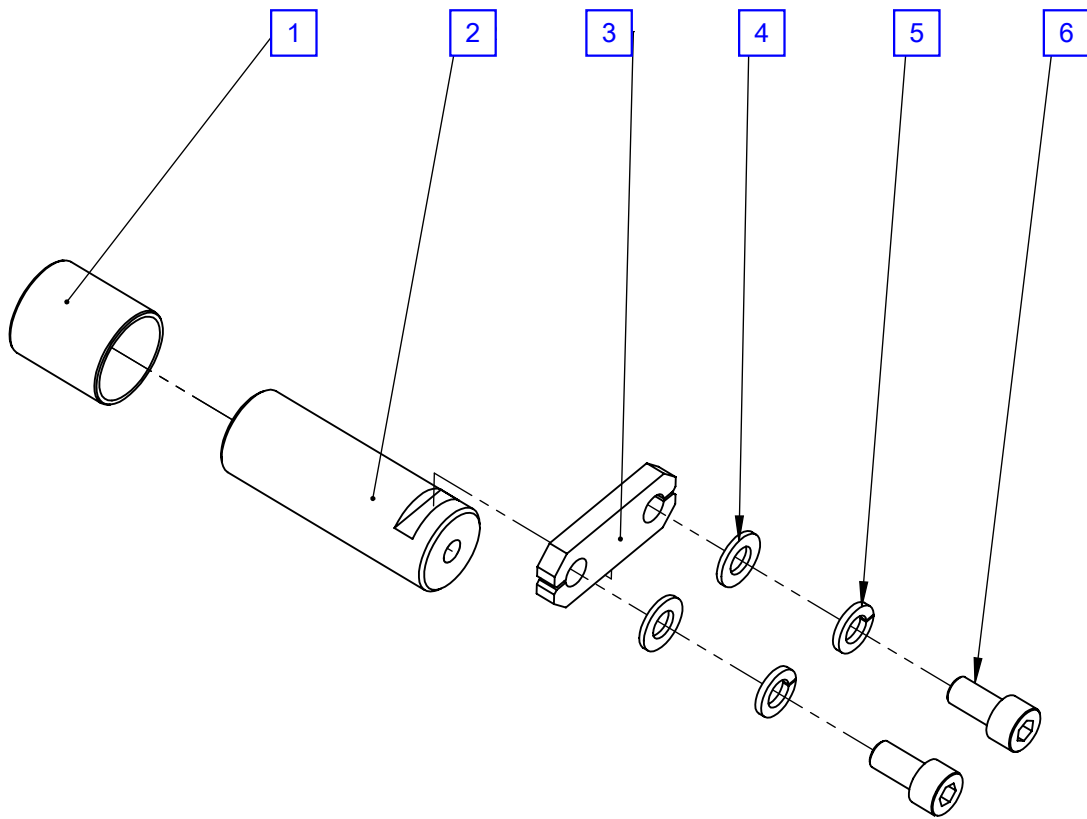
No.	Spare part	Qty.	Description	Dimension
1	B-W740-03-05	1	Main card wiring	



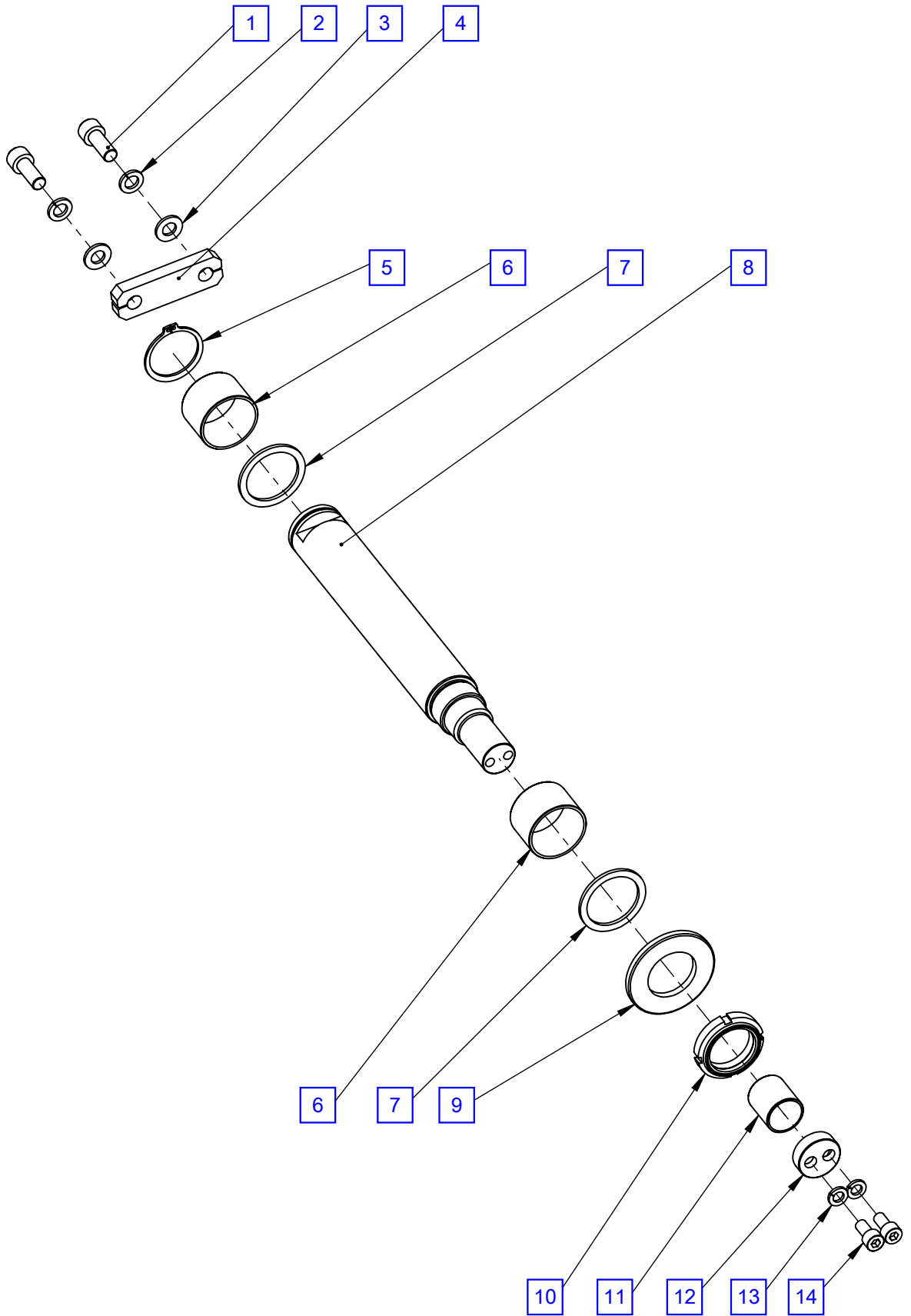
No.	Spare part	Qty.	Description	Dimension
1	B-W550-24-00	1	Pin	
2	B-W550-15-00	1	Pin	
3	B-W550-14-00	1	Pin	
4	B-W550-17-00	1	Pin	



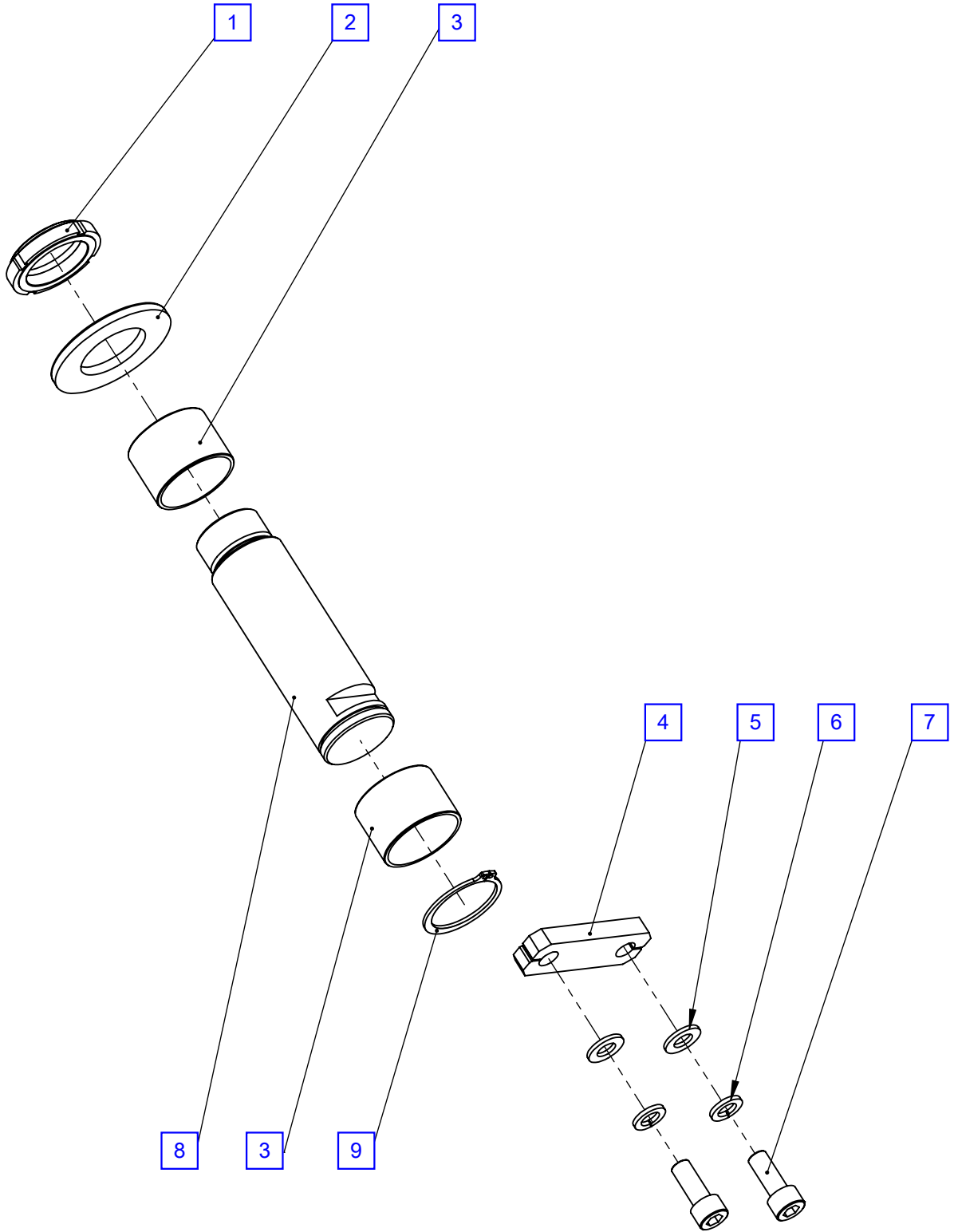
No.	Spare part	Qty.	Description	Dimension
1	B-W910-01-00	2	Screw-TCEI	M10X25 UNI 5931 A2 70
2	B-W940-01-00	2	Washer-Grower	D.10 INOX UNI 1751
3	B-W940-01-04	2	Washer	10.5x20x2 UNI 6592 A2
4	B-W560-01-00	1	Pin locking	
5	B-W940-04-00	1	Lug	D.40 UNI 7435
6	B-W920-00-02	2	Bushing	PM4040DX
7	B-W550-24-00	1	Pin	
8	B-W940-01-02	1	Washer-Grower	D.36 ZN UNI 6592
9	B-W940-05-00	1	Bushing	



No.	Spare part	Qty.	Description	Dimension
1	B-W920-00-06	1	Bushing	PM2530DX
2	B-W550-15-00	1	Pin	
3	B-W560-03-00	1	Pin locking	
4	B-W940-01-05	2	Washer	8.4x16x1.6 UNI 6592 A2
5	B-W940-01-01	2	Washer-Grower	D.8 A2 INOX UNI 1751
6	B-W910-01-03	2	Screw-TCEI	M8X16 UNI 5931 A2 70

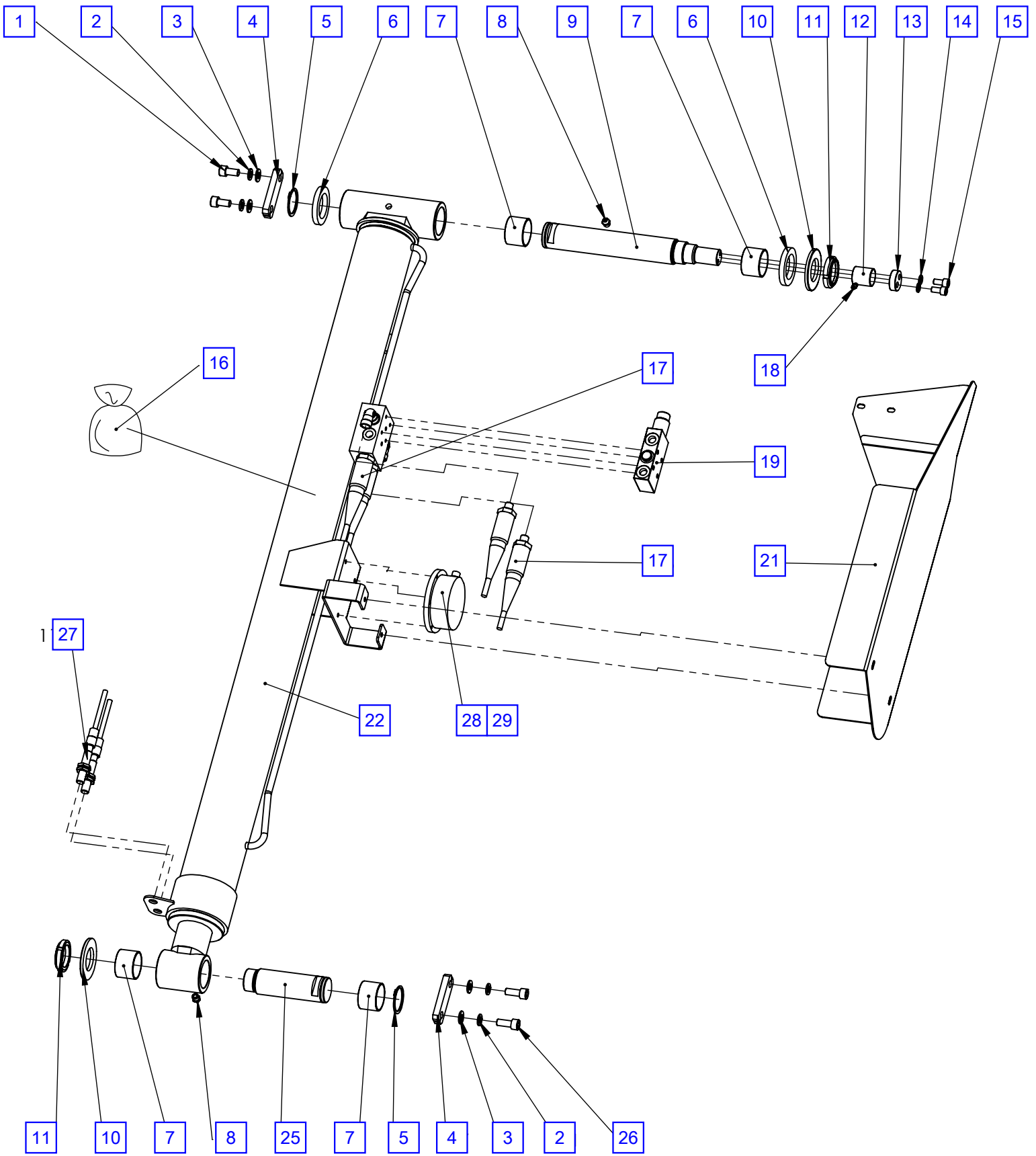


No.	Spare part	Qty.	Description	Dimension
1	B-W910-01-00	2	Screw-TCEI	M10X25 UNI 5931 A2 70
2	B-W940-01-00	1	Washer-Grower	D.10 INOX UNI 1751
3	B-W940-01-04	1	Washer	10.5x20x2 UNI 6592 A2
4	B-W560-01-00	1	Pin locking	
5	B-W940-04-00	1	Lug	D.40 UNI 7435
6	B-W920-00-04	2	Bushing	PM4030DX
7	B-W940-01-09	2	Washer	M40x50x2 DIN 988
8	B-W550-14-00	1	Pin	
9	B-W940-01-00	1	Washer-Grower	D.10 INOX UNI 1751
10	B-W940-05-00	2	Bushing	
11	B-W920-00-06	1	Bushing	PM2530DX
12	B-W560-05-00	1	End disc	
13	B-W940-01-01	2	Washer-Grower	D.8 A2 INOX UNI 1751
14	B-W910-01-03	2	Screw-TCEI	M8X16 UNI 5931 A2 70

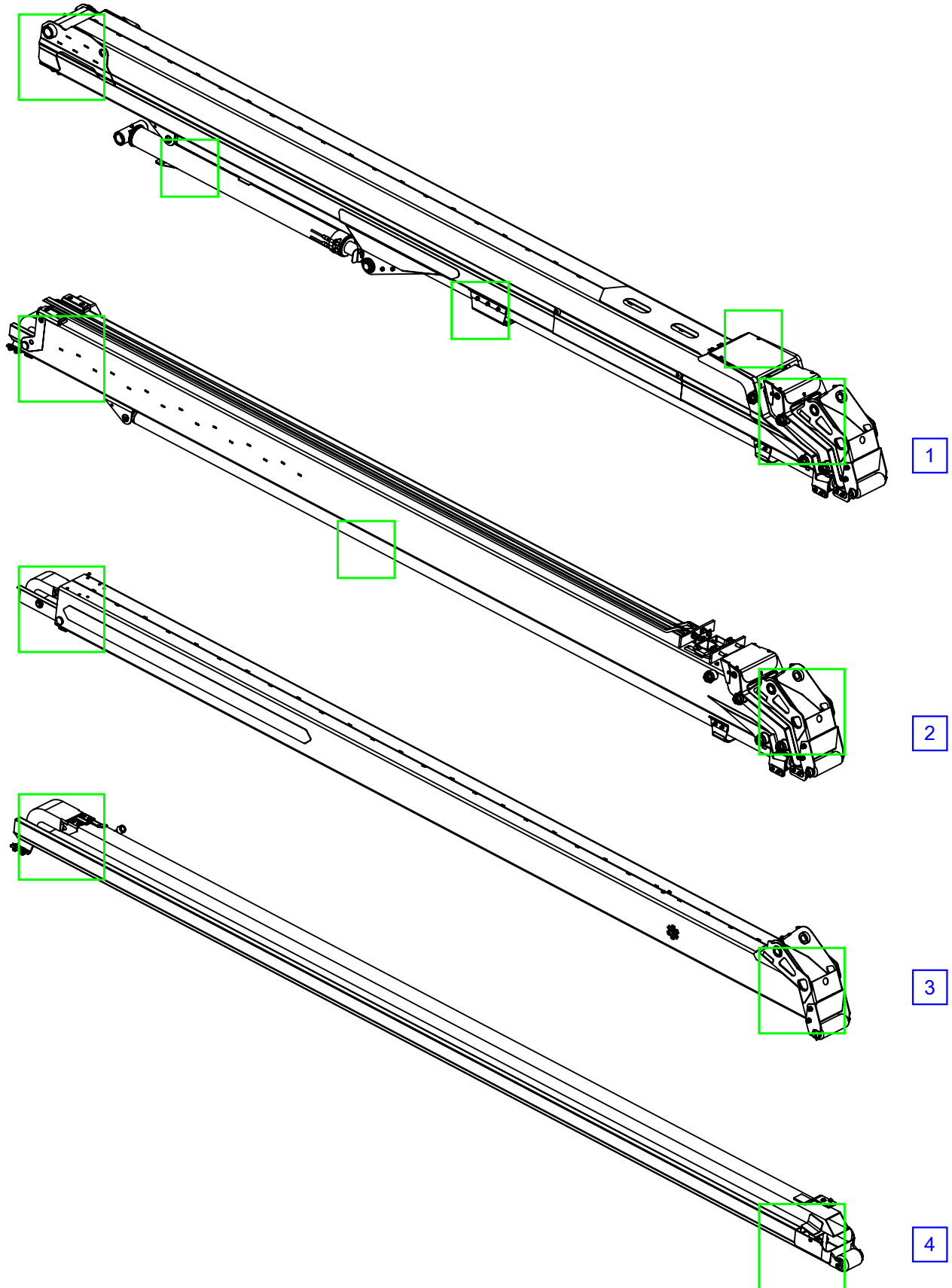


No.	Spare part	Qty.	Description	Dimension
1	B-W940-05-00	1	Bushing	
2	B-W940-01-02	1	Washer-Grower	D.36 ZN UNI 6592
3	B-W920-00-04	2	Bushing	PM4030DX
4	B-W560-01-00	1	Pin locking	
5	B-W940-01-04	2	Washer	10.5x20x2 UNI 6592 A2
6	B-W940-01-00	2	Washer-Grower	D.10 INOX UNI 1751
7	B-W910-01-00	2	Screw-TCEI	M10X25 UNI 5931 A2 70
8	B-W550-17-00	1	Pin	
9	B-W940-04-00	1	Lug	D.40 UNI 7435

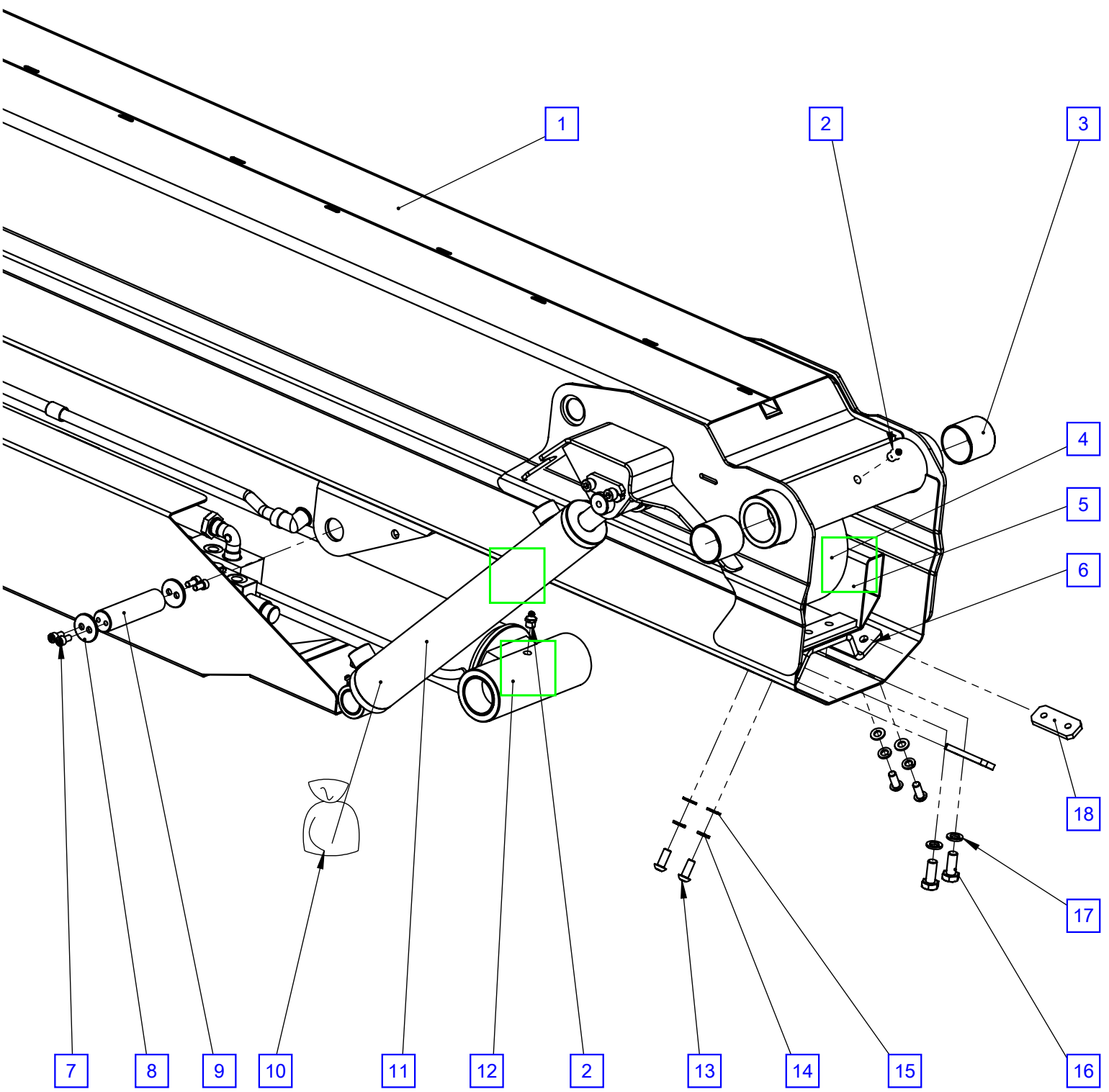
Lifting cylinder



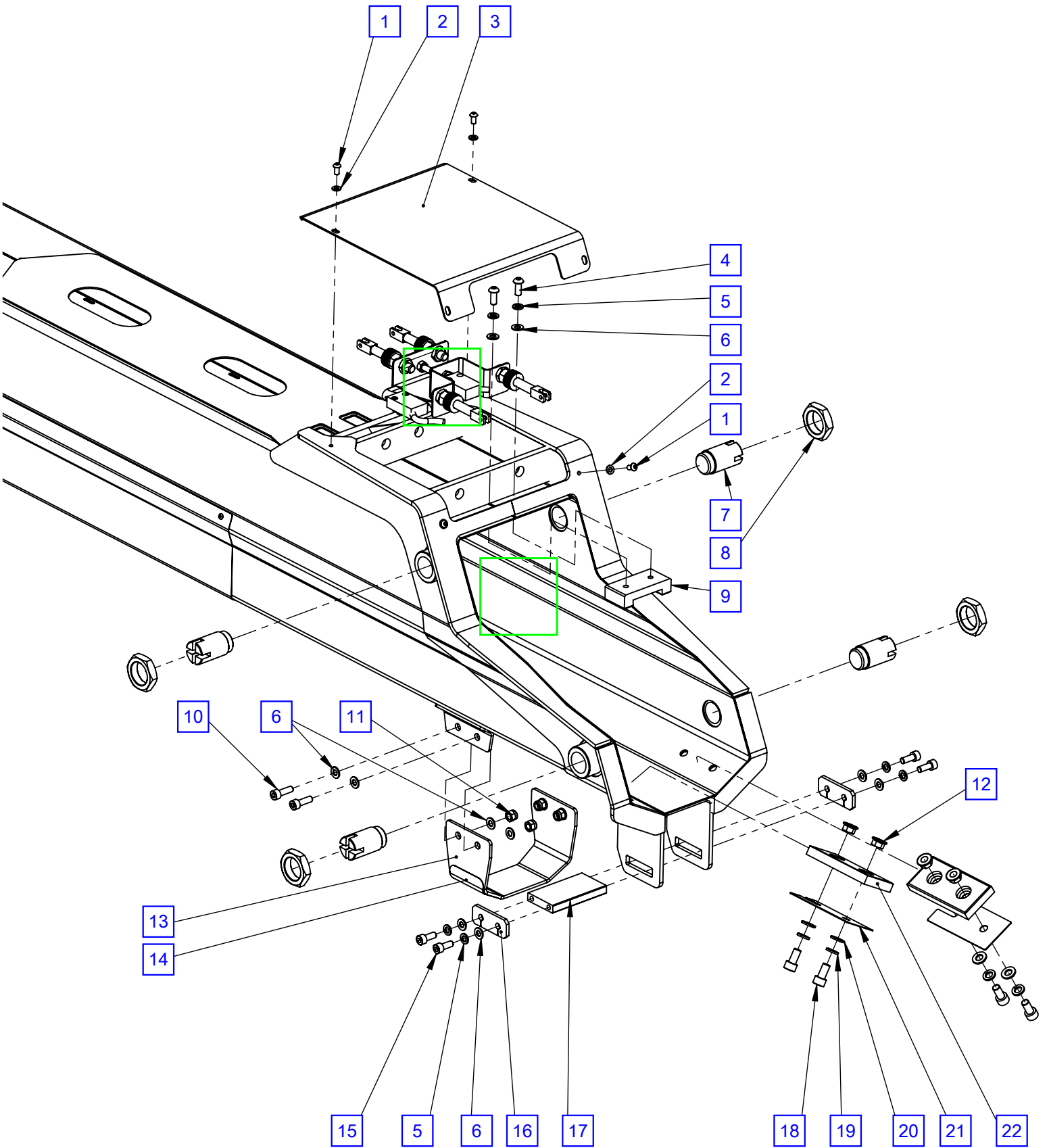
No.	Spare part	Qty.	Description	Dimension
1	B-W910-01-01	2	Screw-TCEI	M10X20 UNI 5931 A2 70
2	B-W940-01-00	2	Washer-Grower	D.10 INOX UNI 1751
3	B-W940-01-04	4	Washer	10.5x20x2 UNI 6592 A2
4	B-W560-01-00	2	Pin locking	
5	B-W940-04-00	2	Lug	D.40 UNI 7435
6	B-W180-02-10	2	Washer	
7	B-W920-00-04	4	Bushing	PM4030DX
8	B-W940-02-01	2	Grease nipple	M10x1 UNI 7663 - A
9	B-W550-14-00	1	Pin	
10	B-W940-01-02	2	Washer-Grower	D.36 ZN UNI 6592
11	B-W940-05-00	1	Bushing	
12	B-W920-00-06	1	Bushing	PM2530DX
13	B-W560-05-00	1	End disc	
14	B-W940-01-01	2	Washer-Grower	D.8 A2 INOX UNI 1751
15	B-W910-01-03	2	Screw-TCEI	M8X16 UNI 5931 A2 70
16	B-W720-00-02	1	Seal kit	
17	B-W730-09-00	2	Pressure switch	
18	B-W940-02-02	1	Grease nipple	M6 UNI 7663 - A
19	B-W700-01-23	1	Load holding valve	
21	B-W240-90-00	1	Cover	
22	B-W500-94-00	1	Lifting cylinder	
25	B-W550-17-00	1	Pin	
26	B-W910-01-00	2	Screw-TCEI	M10X25 UNI 5931 A2 70
27	B-W730-03-02	2	Proximity sensor	
28	B-W740-06-17	1	Goniometer Control	
29	B-W740-00-69	1	Electrical system-Angle	



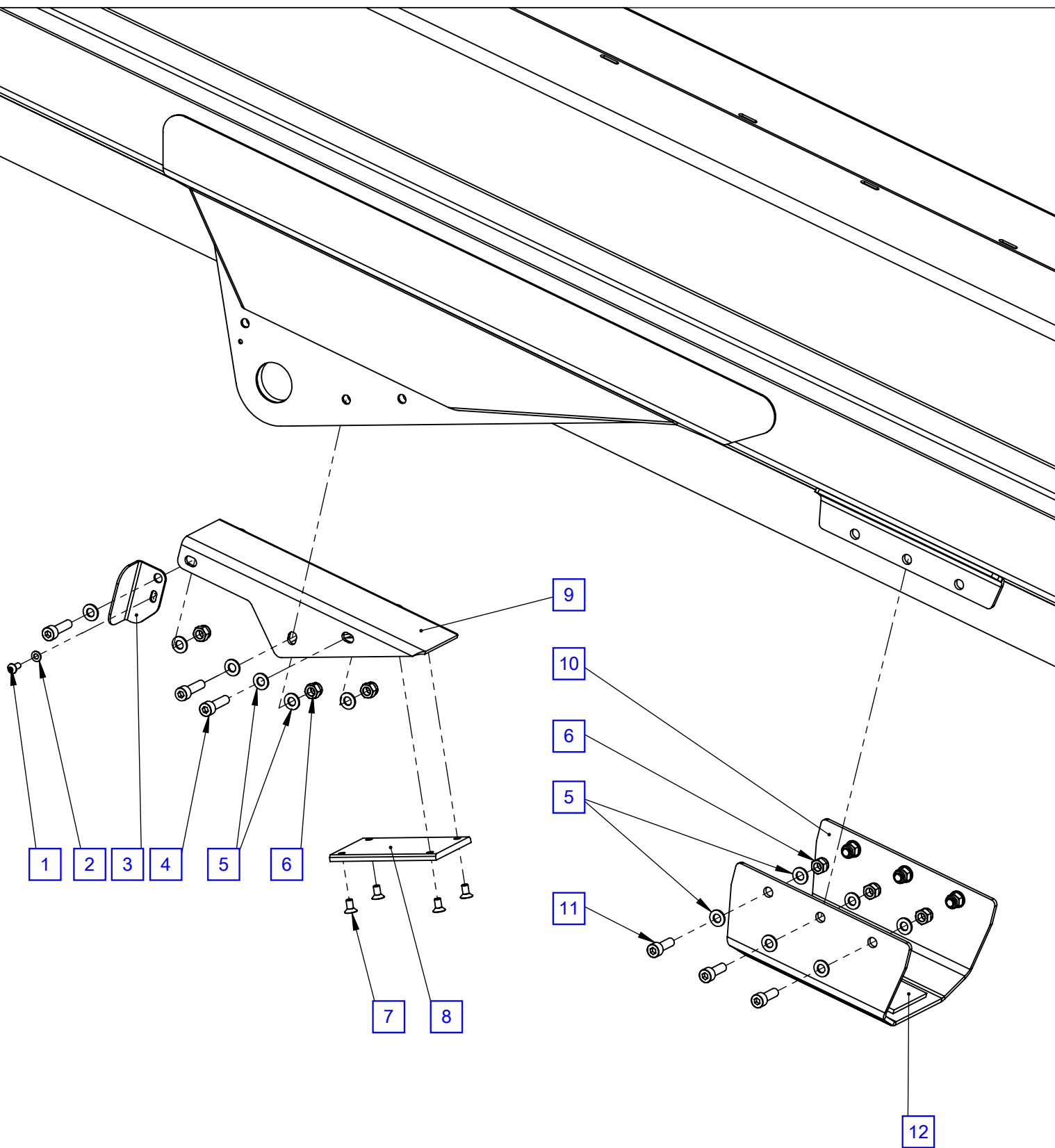
No.	Spare part	Qty.	Description	Dimension
1	B-W220-07-00	1	Main boom	
2	B-W220-08-00	1	Main boom	
3	B-W220-09-00	1	Boom extension	
4	B-W230-08-00	1	Conduit slipping stabilization	



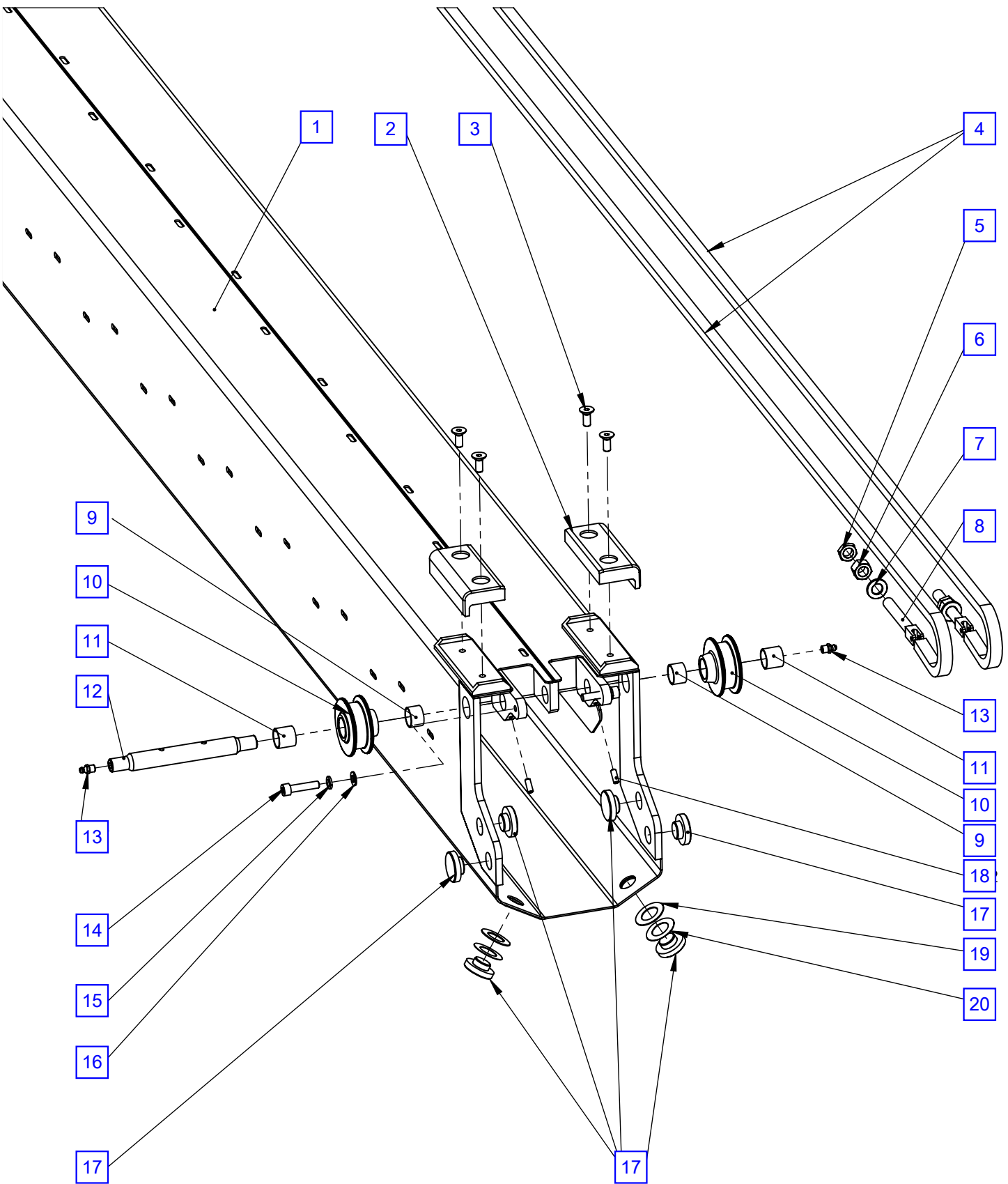
No.	Spare part	Qty.	Description	Dimension
1	B-W220-07-00	1	Main boom	
2	B-W940-02-01	2	Grease nipple	M10x1 UNI 7663 - A
3	B-W920-00-02	2	Bushing	PM4040DX
4	B-W650-01-08	1	Hose package, cpl.	
5	B-W230-08-00	1	Conduit slipping stabilization	
6	B-W240-27-00	1	Fixing stirrup	
7	B-W910-01-11	2	Screw-TCEI	M6X12 UNI 5931 A2 70
8	B-W240-08-00	2	Washer	
9	B-W550-34-00	1	Pin	
10	B-W720-00-04	1	Seal kit	
11	B-W500-05-00	1	Levelling cylinder-Master	
12	B-W500-12-00	1	Lifting cylinder	
13	B-W910-02-09	4	Screw-TBEI	M8X20 UNI 7380 A2 70
14	B-W940-01-01	2	Washer-Grower	D.8 A2 INOX UNI 1751
15	B-W940-01-05	1	Washer	8.4x16x1.6 UNI 6592 A2
16	B-W910-00-05	2	Screw-TE	M10x25 UNI 5739 A2 70
17	B-W940-01-00	2	Washer-Grower	D.10 INOX UNI 1751
18	B-W240-21-00	2	Holding plate	



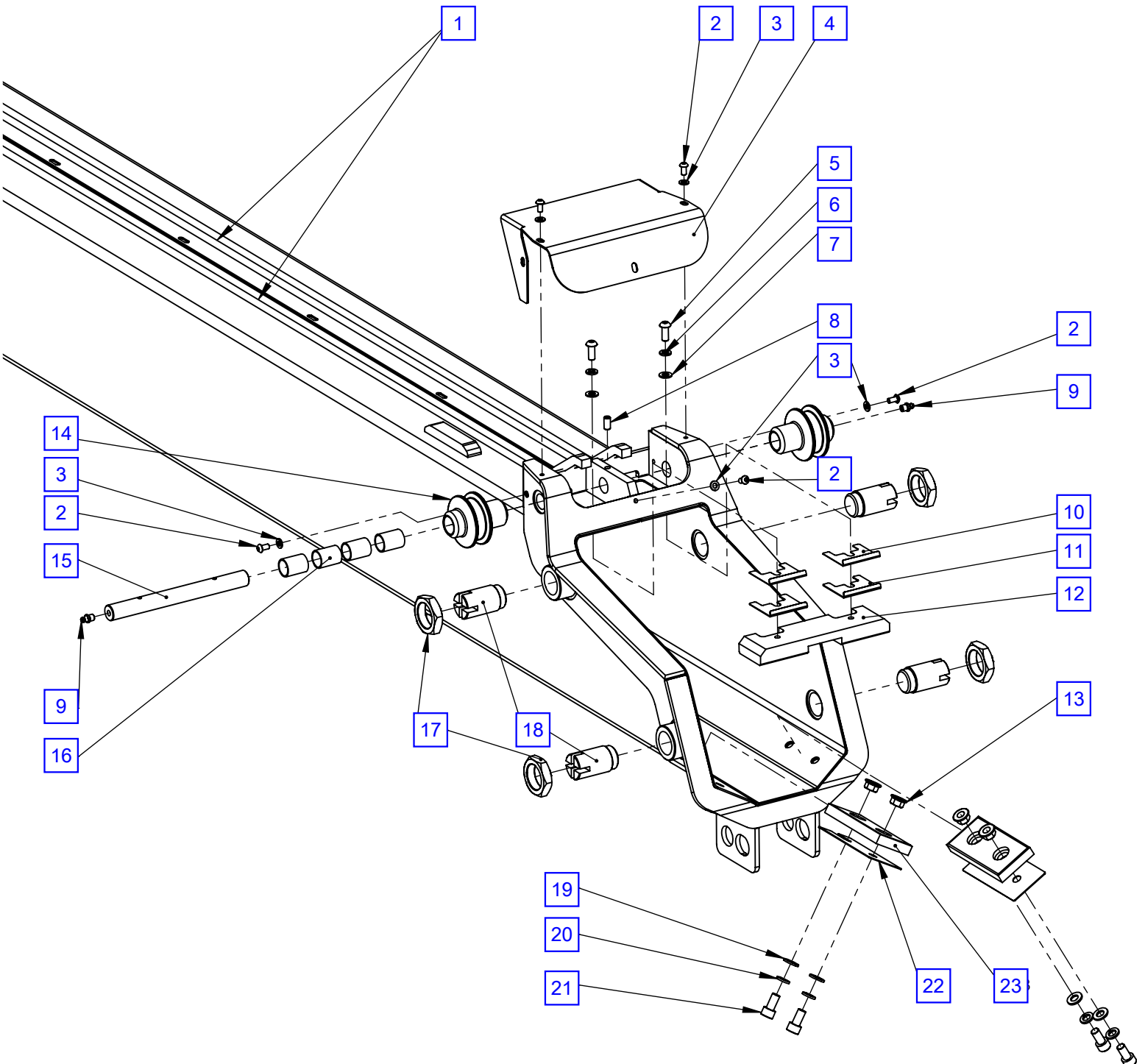
No.	Spare part	Qty.	Description	Dimension
1	B-W910-02-00	4	Screw-TBEI	M6X12 UNI 7380 A2 70
2	B-W940-01-06	4	Washer	M6.4x12 UNI 6592
3	B-W240-18-00	1	Top cover	
4	B-W910-02-09	2	Screw-TBEI	M8X20 UNI 7380 A2 70
5	B-W940-01-01	6	Washer-Grower	D.8 A2 INOX UNI 1751
6	B-W940-01-05	14	Washer	8.4x16x1.6 UNI 6592 A2
7	B-W400-09-00	4	Sleeve bearing	
8	B-W940-00-00	4	Nut	1" GAS
9	B-W400-54-00	1	Sliding guide	
10	B-W910-01-27	4	Screw-TCEI	M87x25 UNI 5931 A2-70
11	B-W940-00-02	4	Nut	M8 UNI 7473 A2-70
12	B-W940-00-01	4	Nut	M10 DIN EN 1661
13	B-W240-20-00	1	Holding plate	
14	B-W240-32-00	1	Protection plate	
15	B-W910-01-02	4	Screw-TCEI	M8X20 UNI 5931 A2 70
16	B-W240-09-00	2	Holding plate	
17	B-W240-25-00	1	Connection block	
18	B-W910-01-01	4	Screw-TCEI	M10X20 UNI 5931 A2 70
19	B-W940-01-00	4	Washer-Grower	D.10 INOX UNI 1751
20	B-W940-01-04	4	Washer	10.5x20x2 UNI 6592 A2
21	B-W400-57-00	2	Plate	
22	B-W400-56-00	2	Sleeve bearing	



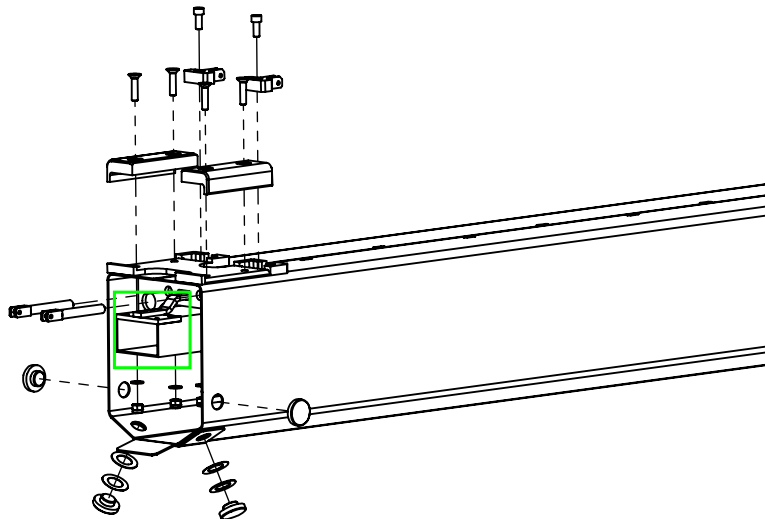
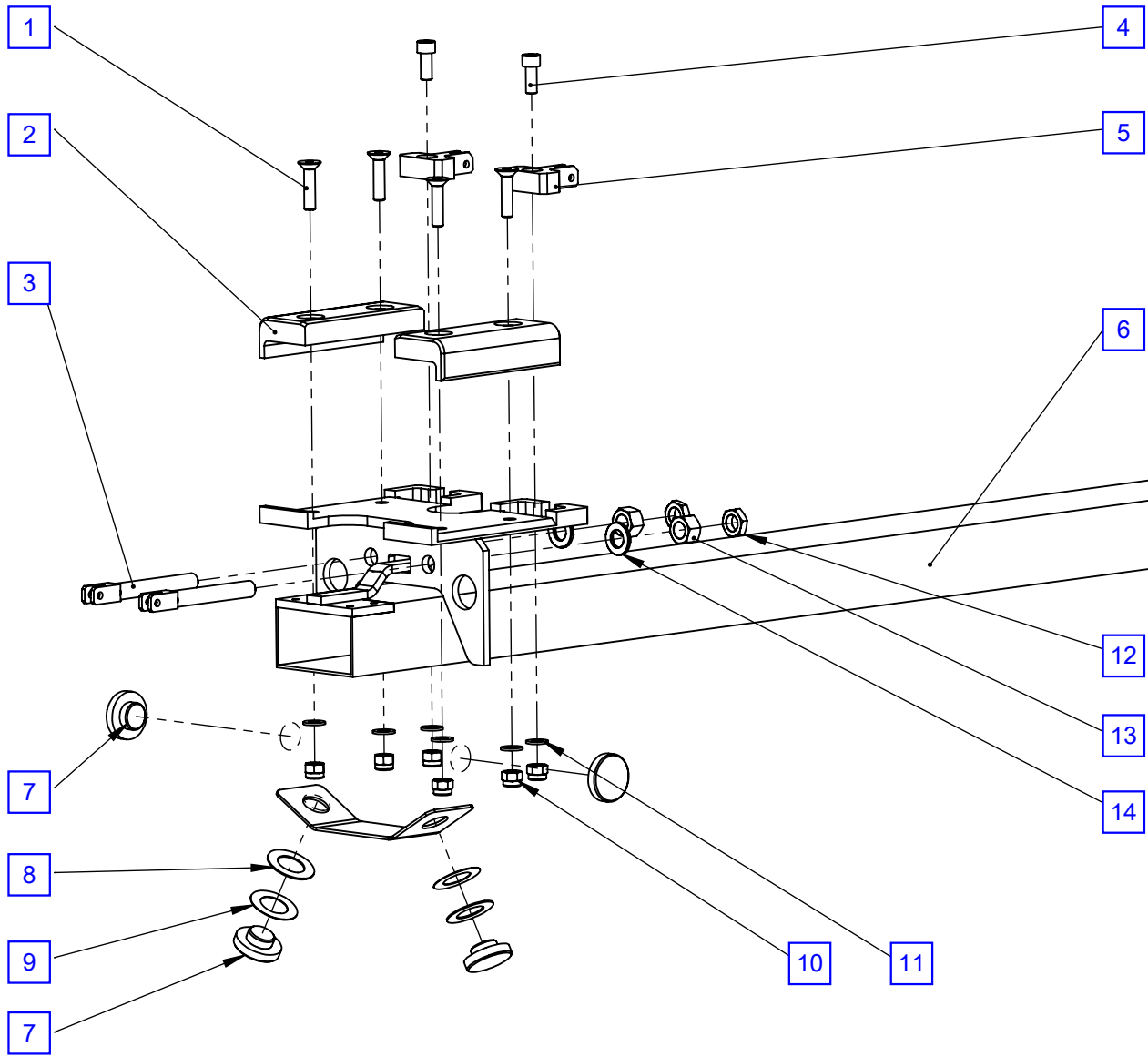
No.	Spare part	Qty.	Description	Dimension
1	B-W910-02-08	1	Screw-TBEI	M5X12 UNI 7380 A2 70
2	B-W940-01-07	1	Washer	M5.5x10 UNI 6592
3	B-W240-30-00	1	Attaching bracket	
4	B-W910-01-23	6	Screw-TCEI	M8X30 UNI 5931 A2 70
5	B-W940-01-05	24	Washer	8.4x16x1.6 UNI 6592 A2
6	B-W940-00-02	12	Nut	M8 UNI 7473 A2-70
7	B-W910-06-12	4	Screw-TSPEI	M6x12 UNI 5933 A2 70
8	B-W400-96-00	1	Cover plate	
9	B-W240-16-00	1	Holding plate	
10	B-W240-19-00	1	Holding plate	
11	B-W910-01-27	6	Screw-TCEI	M87x25 UNI 5931 A2-70
12	B-W400-67-00	1	Distance plate	



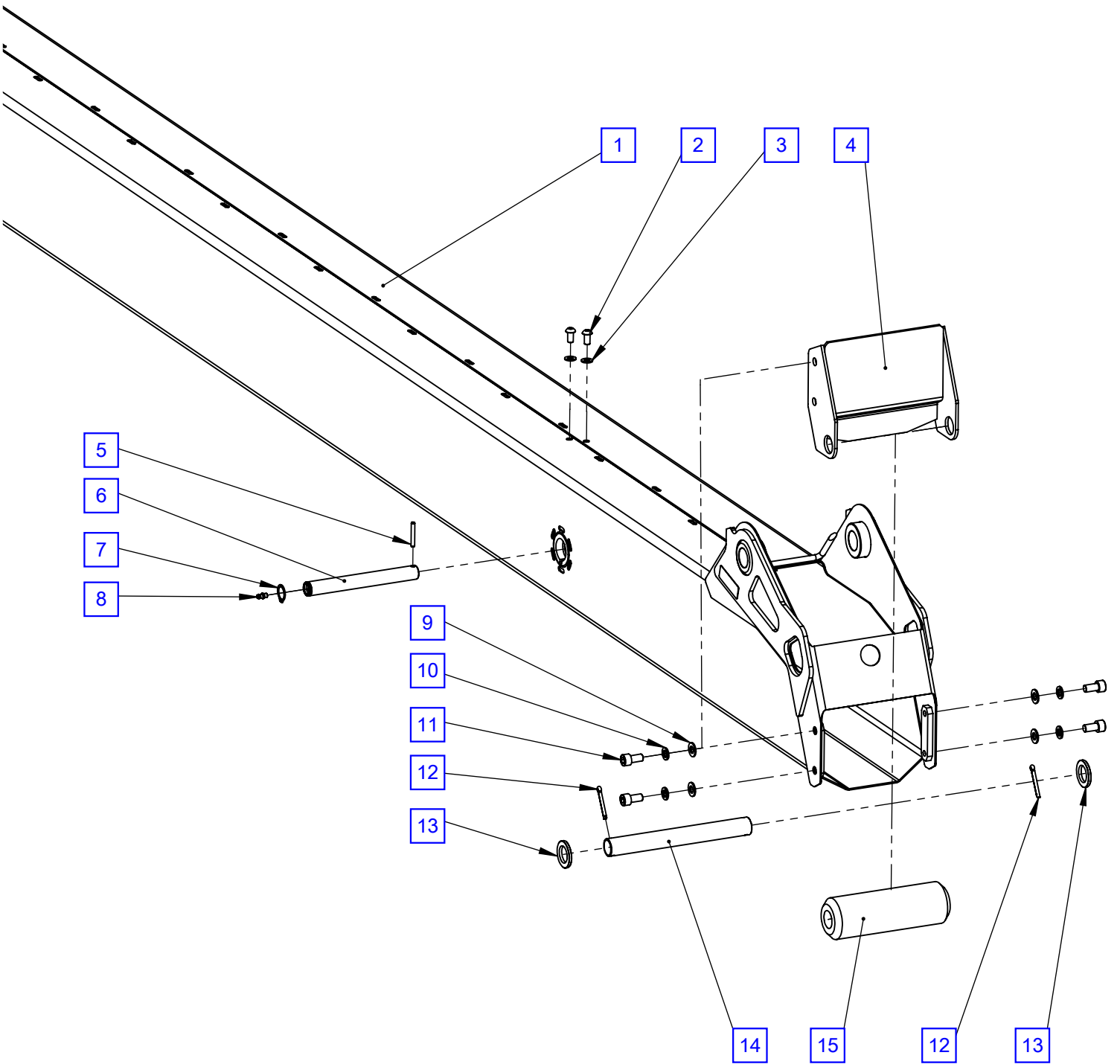
No.	Spare part	Qty.	Description	Dimension
1	B-W220-08-00	1	Main boom	
2	B-W400-50-00	2	Sleeve bearing	
3	B-W910-06-04	4	Screw-TSPEI	M8x20 UNI 5933 A2
4	B-W690-01-02	2	drag chain	
5	B-W940-00-18	2	Nut	M12 UNI 5589 A2 70
6	B-W940-00-17	2	Nut	M12 UNI 5587 A2 70
7	B-W940-01-17	2	Washer	13x24x2.5 UNI 6592
8	B-W370-03-00	2	Chain tightener	
9	B-W920-01-00	2	Bushing	MB2015DU
10	B-W370-02-00	2	Chain roller	
11	B-W920-01-02	2	Bushing	MB2020DU
12	B-W550-33-00	1	Pin	
13	B-W940-02-00	2	Grease nipple	M8x1 UNI 7663 - A
14	B-W910-01-14	2	Screw-TCEI	M8X35 UNI 5931 A2 70
15	B-W940-01-01	2	Washer-Grower	D.8 A2 INOX UNI 1751
16	B-W940-01-05	2	Washer	8.4x16x1.6 UNI 6592 A2
17	B-W400-46-00	6	Sleeve bearing	
18	B-W910-05-02	2	Set screw	M6x16 UNI 5923
19	B-W400-48-00	2	Washer	
20	B-W400-49-00	2	Washer	



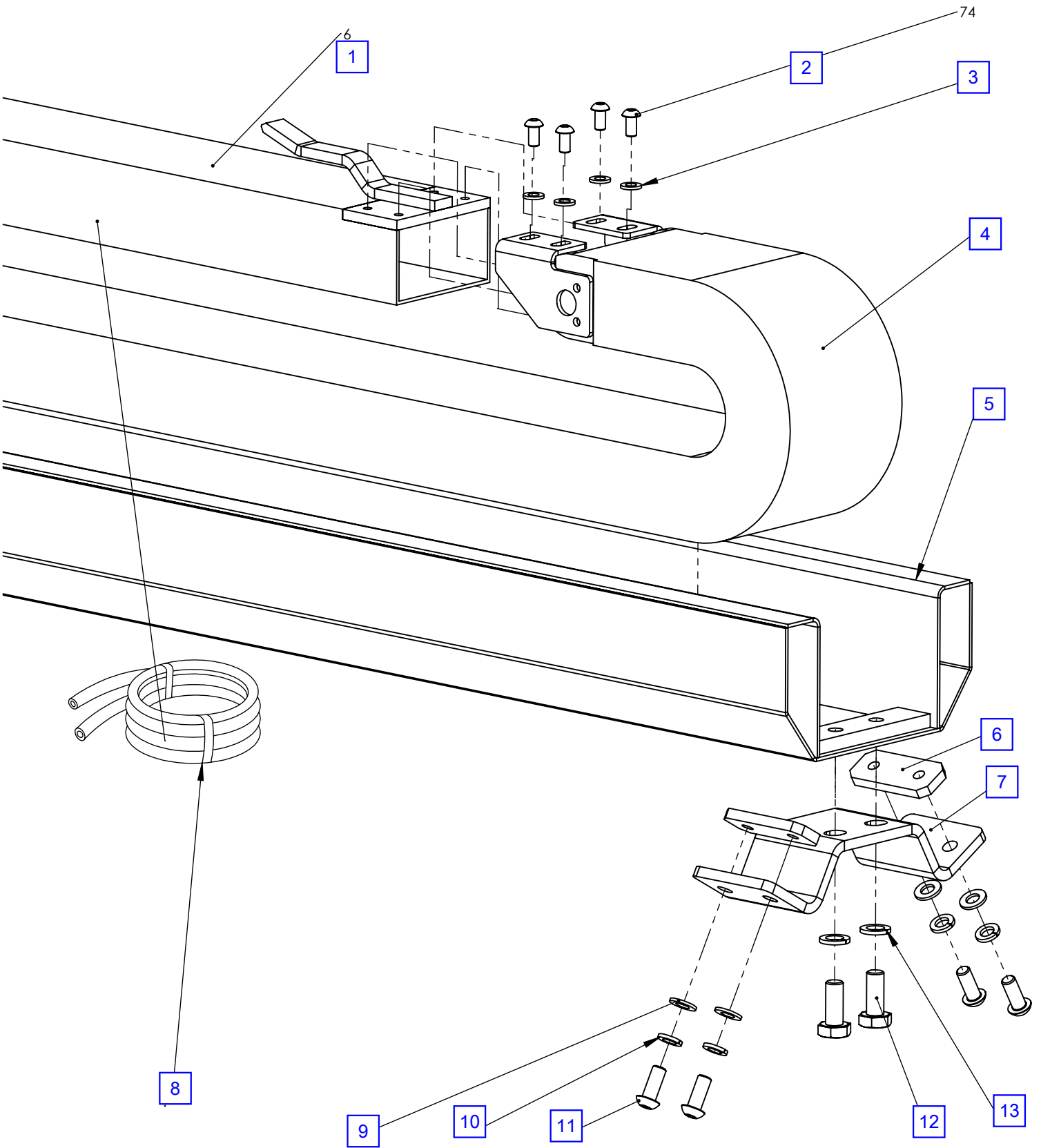
No.	Spare part	Qty.	Description	Dimension
1	B-W690-01-04	2	drag chain	
2	B-W910-02-00	5	Screw-TBEI	M6X12 UNI 7380 A2 70
3	B-W940-01-06	5	Washer	M6.4x12 UNI 6592
4	B-W240-17-00	1	Top cover	
5	B-W910-02-09	2	Screw-TBEI	M8X20 UNI 7380 A2 70
6	B-W940-01-01	2	Washer-Grower	D.8 A2 INOX UNI 1751
7	B-W940-01-05	2	Washer	8.4x16x1.6 UNI 6592 A2
8	B-W910-05-00	1	Set screw	M8x16 UNI 5927
9	B-W940-02-00	2	Grease nipple	M8x1 UNI 7663 - A
10	B-W400-65-00	2	Plate	
11	B-W400-64-00	2	Plate	
12	B-W400-63-00	1	Sliding guide	
13	B-W940-00-01	4	Nut	M10 DIN EN 1661
14	B-W370-01-00	2	Chain roller	
15	B-W550-35-00	1	Pin	
16	B-W920-01-01	4	Bushing	MB2030DU
17	B-W940-00-00	4	Nut	1" GAS
18	B-W400-09-00	4	Sleeve bearing	
19	B-W940-01-04	4	Washer	10.5x20x2 UNI 6592 A2
20	B-W940-01-00	4	Washer-Grower	D.10 INOX UNI 1751
21	B-W910-01-01	4	Screw-TCEI	M10X20 UNI 5931 A2 70
22	B-W400-57-00	2	Plate	
23	B-W400-56-00	2	Sleeve bearing	



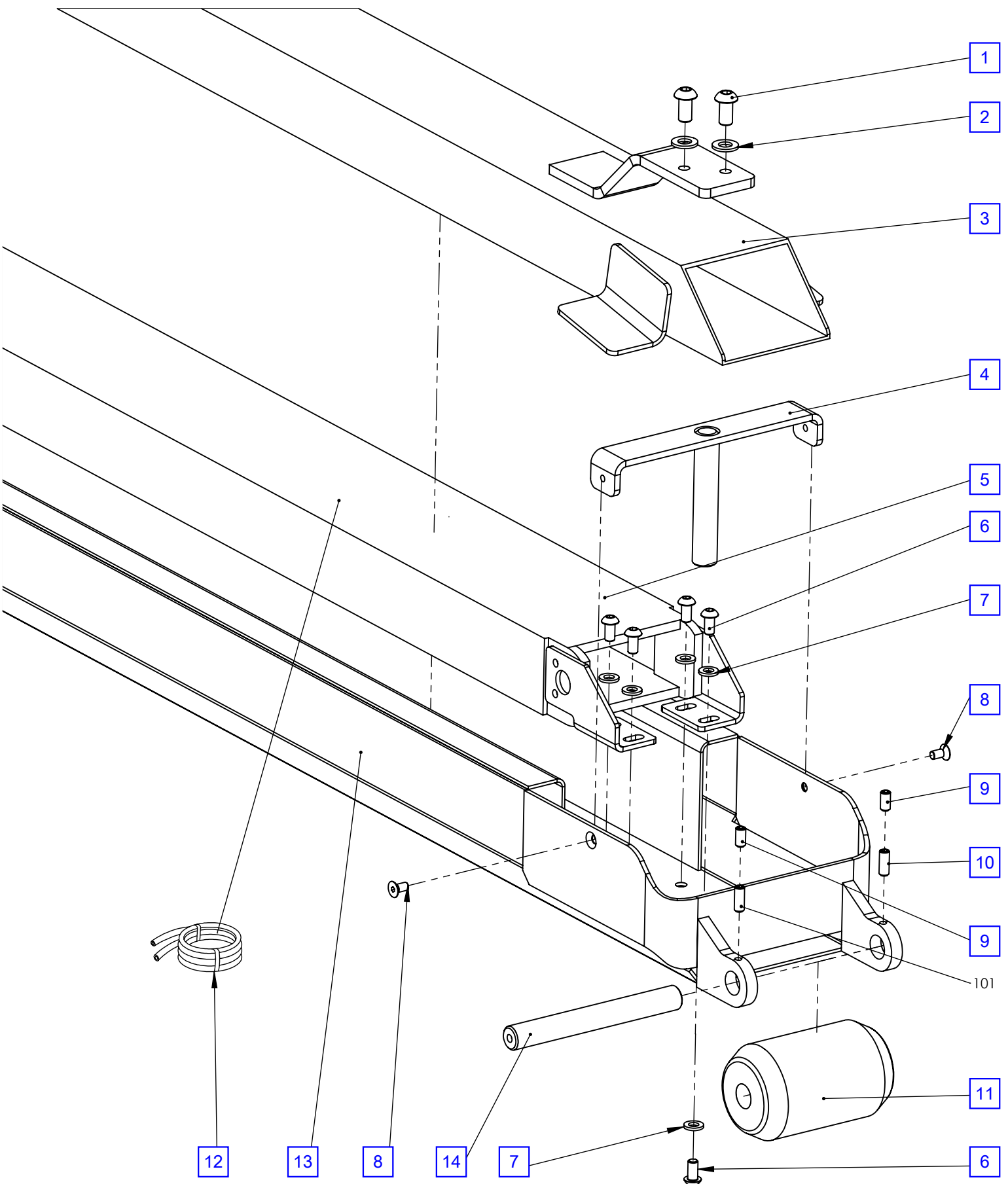
No.	Spare part	Qty.	Description	Dimension
1	B-W910-06-11	4	Screw-TSPEI	M3x8 UNI 5933 A2
2	B-W400-50-00	2	Sleeve bearing	
3	B-W370-03-00	2	Chain tightener	
4	B-W910-01-02	2	Screw-TCEI	M8X20 UNI 5931 A2 70
5	B-W370-04-00	2	Connection element	
6	B-W230-09-00	1	Cable duct	
7	B-W400-46-00	4	Sleeve bearing	
8	B-W400-48-00	2	Washer	
9	B-W400-49-00	2	Washer	
10	B-W940-00-02	6	Nut	M8 UNI 7473 A2-70
11	B-W940-01-05	6	Washer	8.4x16x1.6 UNI 6592 A2
12	B-W940-00-18	2	Nut	M12 UNI 5589 A2 70
13	B-W940-00-17	2	Nut	M12 UNI 5587 A2 70
14	B-W940-01-17	2	Washer	13x24x2.5 UNI 6592



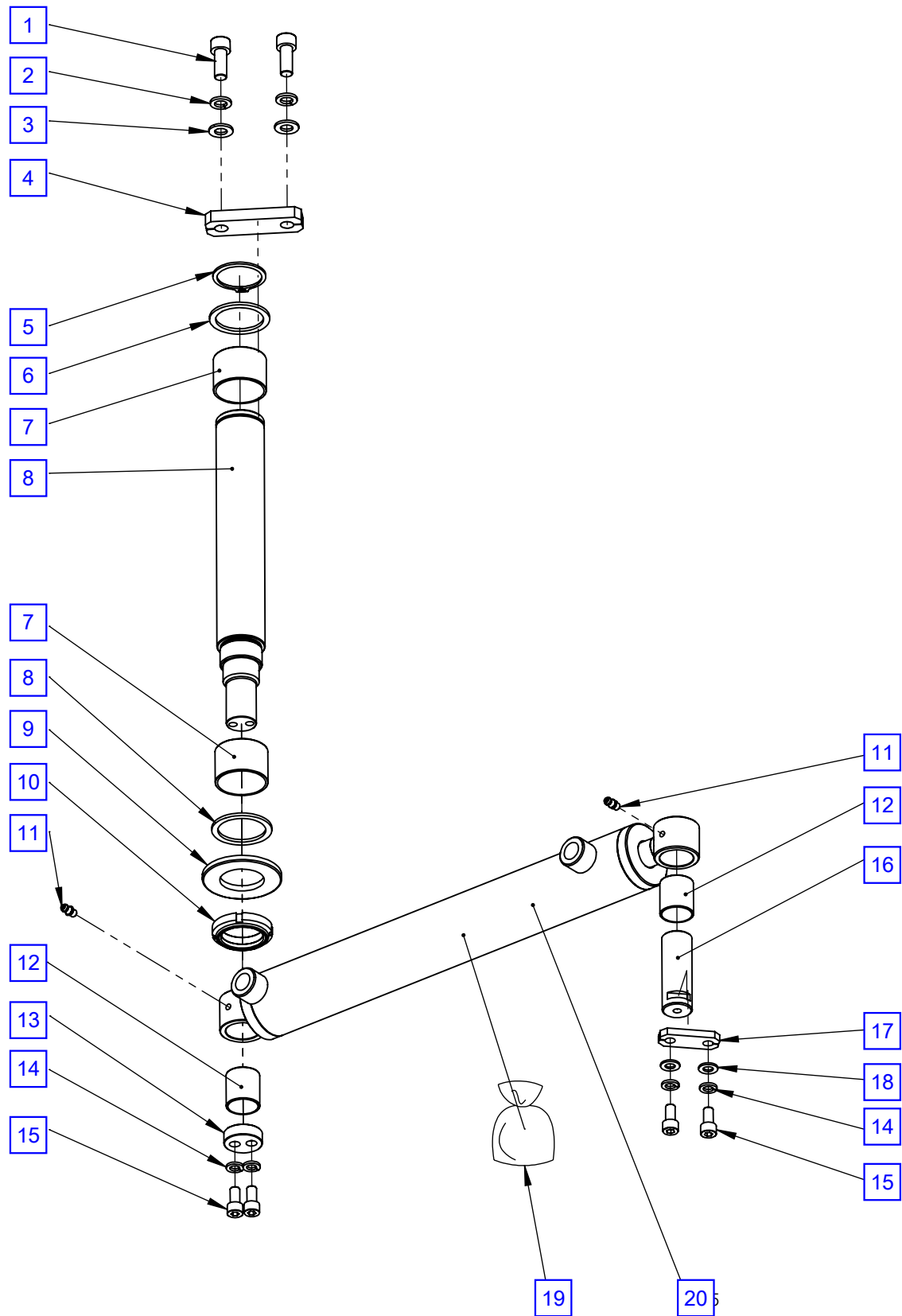
No.	Spare part	Qty.	Description	Dimension
1	B-W220-09-00	1	Boom extension	
2	B-W910-02-05	2	Screw-TBEI	M8X16 UNI 7380 A2 70
3	B-W940-01-05	2	Washer	8.4x16x1.6 UNI 6592 A2
4	B-W220-03-00	1	Plate	
5	B-W940-09-01	1	Pin	5x36 UNI 6873
6	B-W550-05-00	1	Pin	
7	B-W940-04-01	1	Lug	D.20 UNI 7435
8	B-W940-02-02	1	Grease nipple	M6 UNI 7663 - A
9	B-W940-01-04	4	Washer	10.5x20x2 UNI 6592 A2
10	B-W940-01-00	4	Washer-Grower	D.10 INOX UNI 1751
11	B-W910-01-01	4	Screw-TCEI	M10X20 UNI 5931 A2 70
12	B-W940-06-00	2	Split pin	M5x36 UNI 1336
13	B-W940-01-16	2	Washer	25x39x4 UNI 1750 A2
14	B-W550-04-00	1	Pin	
15	B-W400-17-00	1	Roller	



No.	Spare part	Qty.	Description	Dimension
1	B-W230-09-00	1	Cable duct	
2	B-W910-02-00	4	Screw-TBEI	M6X12 UNI 7380 A2 70
3	B-W940-01-06	4	Washer	M6.4x12 UNI 6592
4	B-W690-00-04	1	energy chain	
5	B-W230-08-00	1	Conduit slipping stabilization	
6	B-W240-21-00	2	Holding plate	
7	B-W240-27-00	1	Fixing stirrup	
8	B-W740-05-14	1	Electrical system	
9	B-W940-01-05	4	Washer	8.4x16x1.6 UNI 6592 A2
10	B-W940-01-01	4	Washer-Grower	D.8 A2 INOX UNI 1751
11	B-W910-02-09	4	Screw-TBEI	M8X20 UNI 7380 A2 70
12	B-W910-00-05	2	Screw-TE	M10x25 UNI 5739 A2 70
13	B-W940-01-00	2	Washer-Grower	D.10 INOX UNI 1751

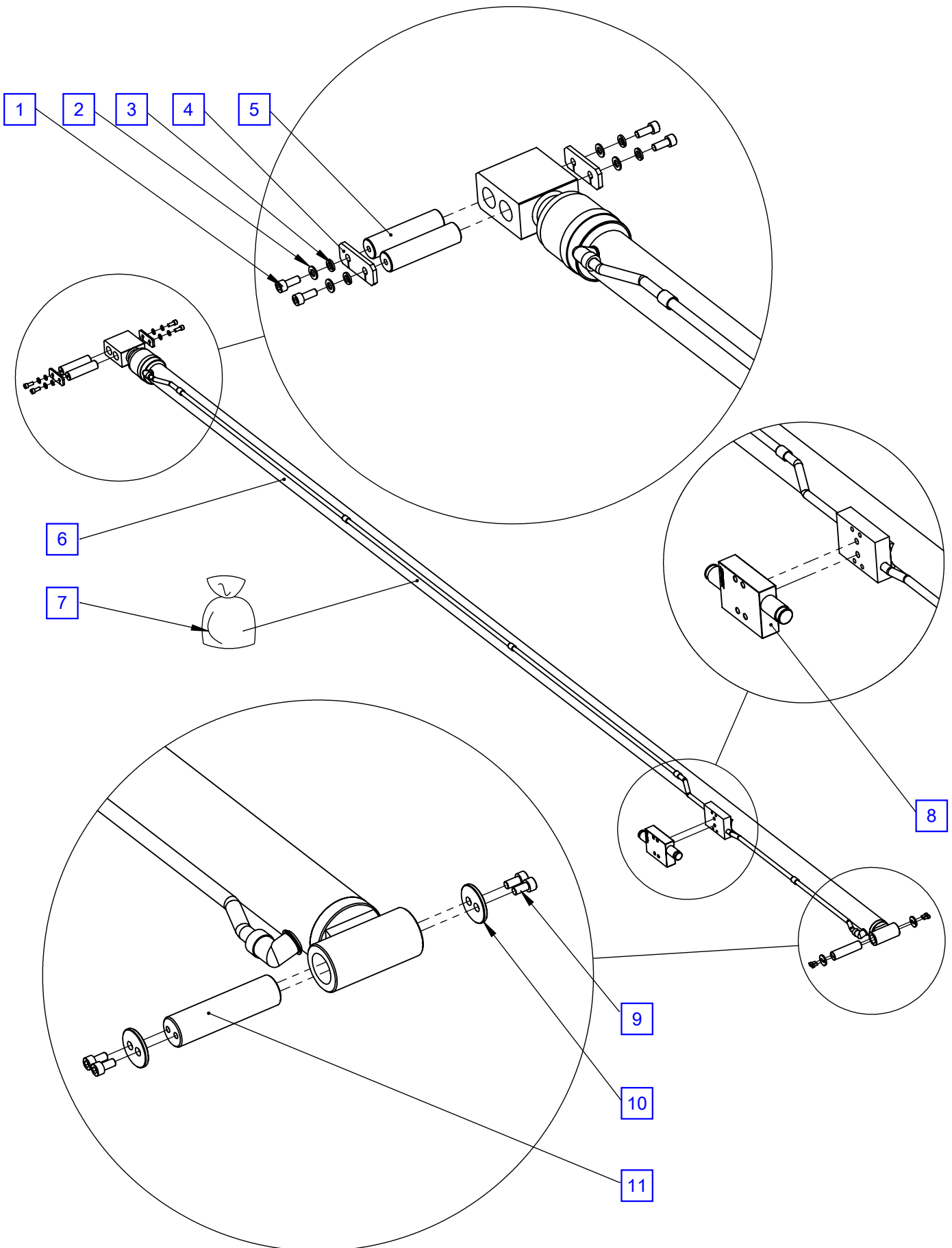


No.	Spare part	Qty.	Description	Dimension
1	B-W910-02-05	2	Screw-TBEI	M8X16 UNI 7380 A2 70
2	B-W940-01-05	2	Washer	8.4x16x1.6 UNI 6592 A2
3	B-W230-09-00	1	Cable duct	
4	B-W240-33-00	1	Fixing stirrup	
5	B-W690-00-04	1	energy chain	
6	B-W910-02-00	4	Screw-TBEI	M6X12 UNI 7380 A2 70
7	B-W940-01-06	4	Washer	M6.4x12 UNI 6592
8	B-W910-06-09	2	Screw-TSPEI	M5x10 UNI 5933 A2
9	B-W910-05-01	2	Set screw	M6x12 UNI 5923
10	B-W910-05-02	1	Set screw	M6x16 UNI 5923
11	B-W400-55-00	1	Tread roller	
12	B-W650-01-08	1	Hose package, cpl.	
13	B-W230-08-00	1	Conduit slipping stabilization	
14	B-W550-36-00	1	Pin	

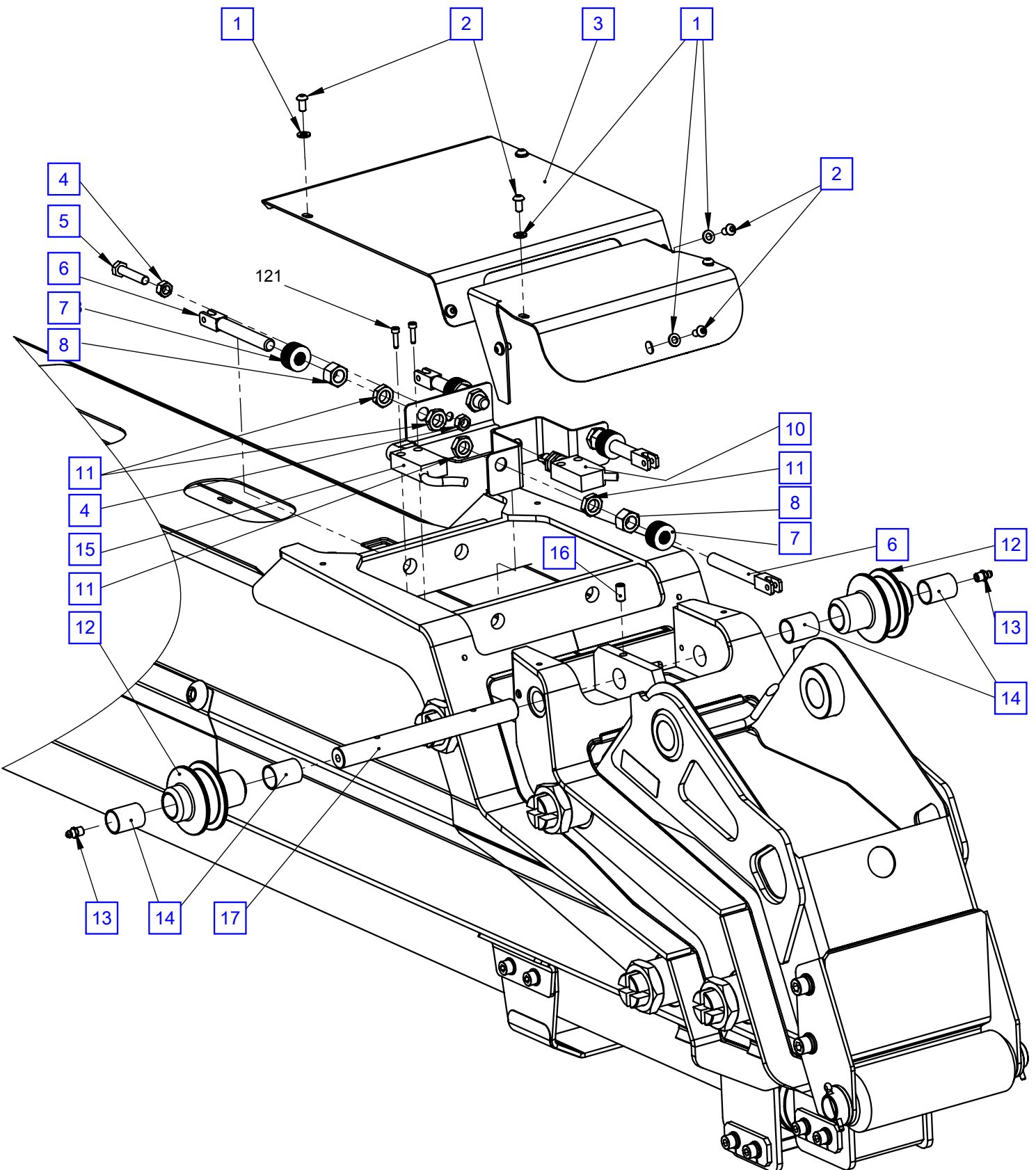


No.	Spare part	Qty.	Description	Dimension
1	B-W910-01-00	2	Screw-TCEI	M10X25 UNI 5931 A2 70
2	B-W940-01-00	2	Washer-Grower	D.10 INOX UNI 1751
3	B-W940-01-04	2	Washer	10.5x20x2 UNI 6592 A2
4	B-W560-01-00	1	Pin locking	
5	B-W940-04-00	1	Lug	D.40 UNI 7435
6	B-W940-01-09	2	Washer	M40x50x2 DIN 988
7	B-W920-00-04	2	Bushing	PM4030DX
8	B-W550-14-00	1	Pin	
9	B-W940-01-02	1	Washer-Grower	D.36 ZN UNI 6592
10	B-W940-05-00	1	Bushing	
11	B-W940-02-02	2	Grease nipple	M6 UNI 7663 - A
12	B-W920-00-06	2	Bushing	PM2530DX
13	B-W560-05-00	1	End disc	
14	B-W940-01-01	2	Washer-Grower	D.8 A2 INOX UNI 1751
15	B-W910-01-03	2	Screw-TCEI	M8X16 UNI 5931 A2 70
16	B-W550-15-00	1	Pin	
17	B-W560-03-00	1	Pin locking	
18	B-W940-01-05	2	Washer	8.4x16x1.6 UNI 6592 A2
19	B-W720-00-04	1	Seal kit	
20	B-W500-05-00	1	Levelling cylinder-Master	

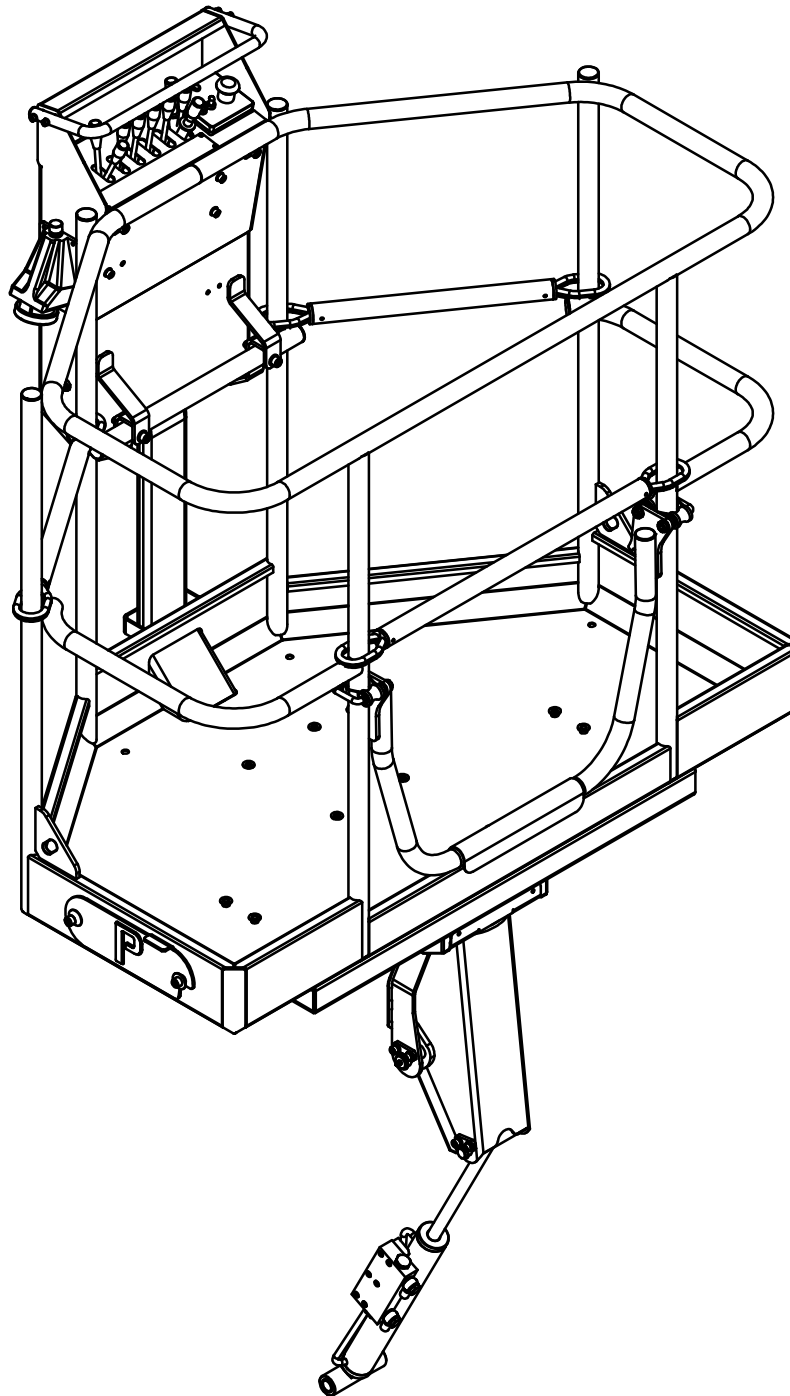
Telescopic cylinder

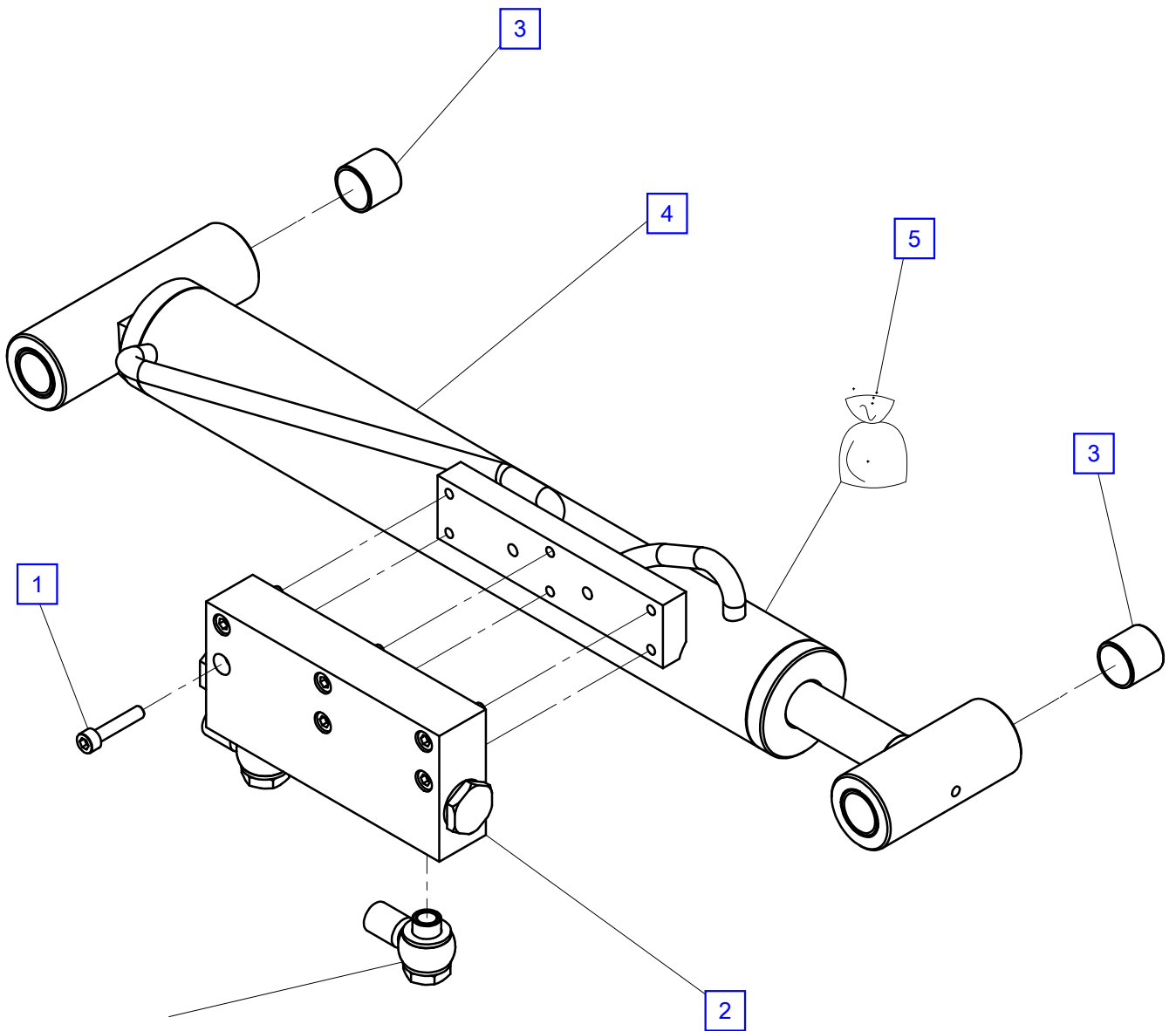


No.	Spare part	Qty.	Description	Dimension
1	B-W910-01-01	4	Screw-TCEI	M10X20 UNI 5931 A2 70
2	B-W940-01-04	4	Washer	10.5x20x2 UNI 6592 A2
3	B-W940-01-00	4	Washer-Grower	D.10 INOX UNI 1751
4	B-W240-09-00	2	Holding plate	
5	B-W550-37-00	1	Pin	
6	B-W500-12-00	1	Lifting cylinder	
7	B-W720-00-43	1	Seal kit firm	
8	B-W700-01-23	1	Load holding valve	
9	B-W910-01-23	4	Screw-TCEI	M8X30 UNI 5931 A2 70
10	B-W240-08-00	2	Washer	
11	B-W550-34-00	1	Pin	

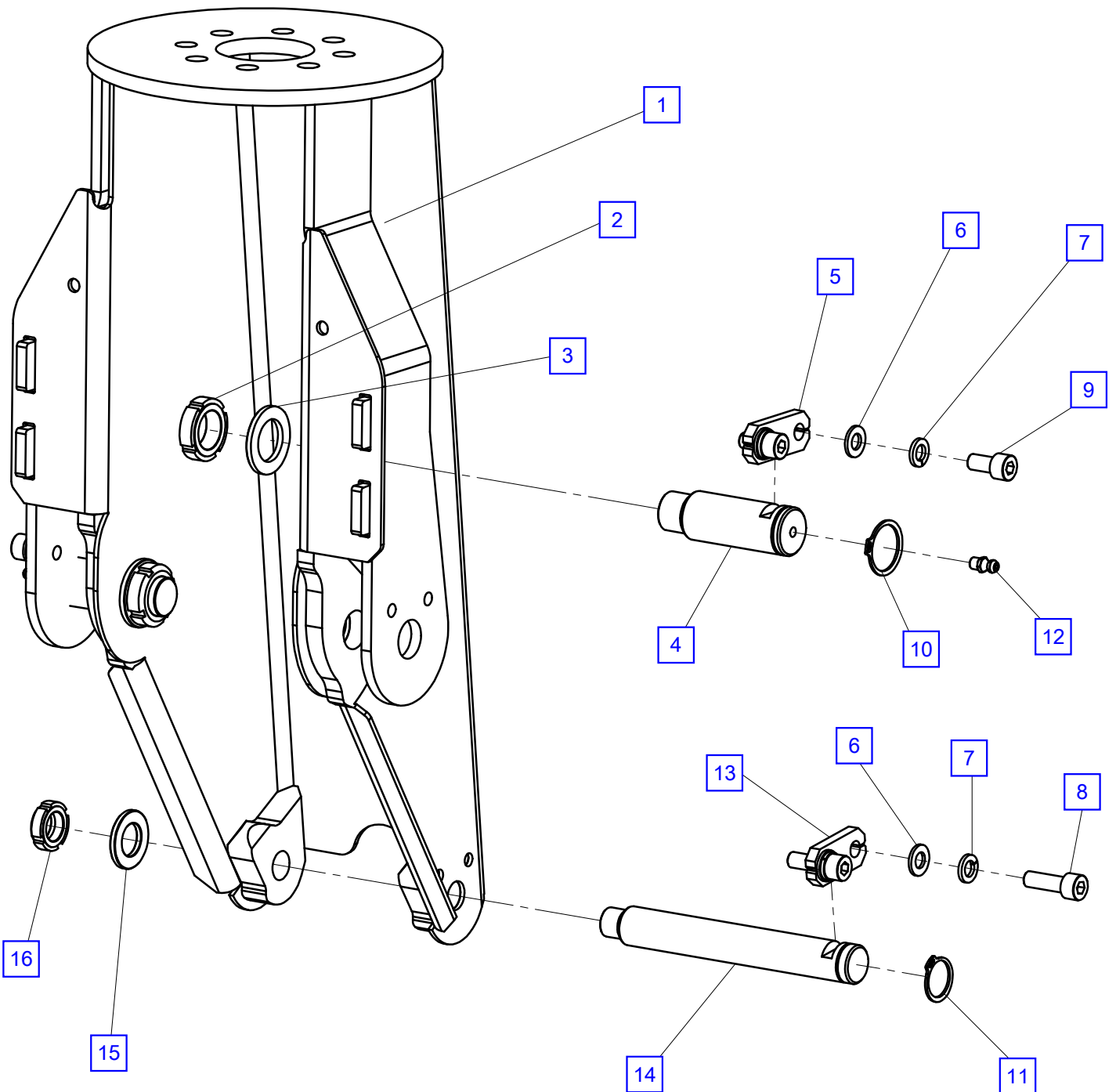


No.	Spare part	Qty.	Description	Dimension
1	B-W940-01-06	7	Washer	M6.4x12 UNI 6592
2	B-W910-02-00	7	Screw-TBEI	M6X12 UNI 7380 A2 70
3	B-W240-18-00	1	Top cover	
4	B-W940-00-16	2	Nut	M8 UNI 5588 A2 70
5	B-W910-00-06	1	Screw-TE	M8x40 UNI 5739 A2 70
6	B-W370-03-00	4	Chain tightener	
7	B-W940-11-02	28	Spring	25x12.2x1.25 UNI 8737
8	B-W940-00-17	4	Nut	M12 UNI 5587 A2 70
10	B-W730-03-04	1	Microswitch-XCMD21F2L1	
11	B-W940-00-18	8	Nut	M12 UNI 5589 A2 70
12	B-W370-01-00	2	Chain roller	
13	B-W940-02-00	2	Grease nipple	M8x1 UNI 7663 - A
14	B-W920-01-01	4	Bushing	MB2030DU
15	B-W730-03-01	1	Microswitch-ZCMD2115L1	
16	B-W910-05-00	1	Set screw	M8x16 UNI 5927
17	B-W550-35-00	1	Pin	

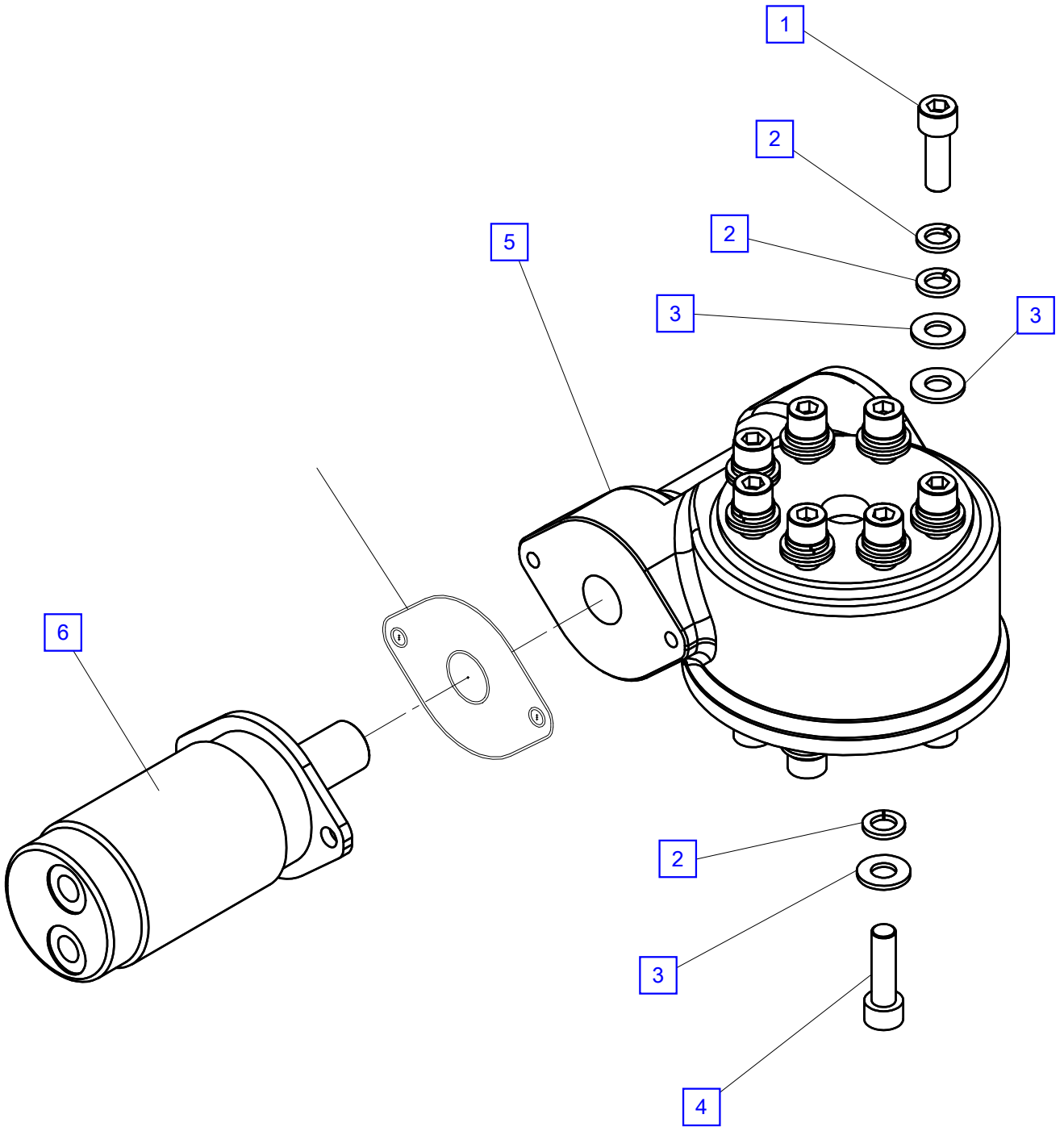




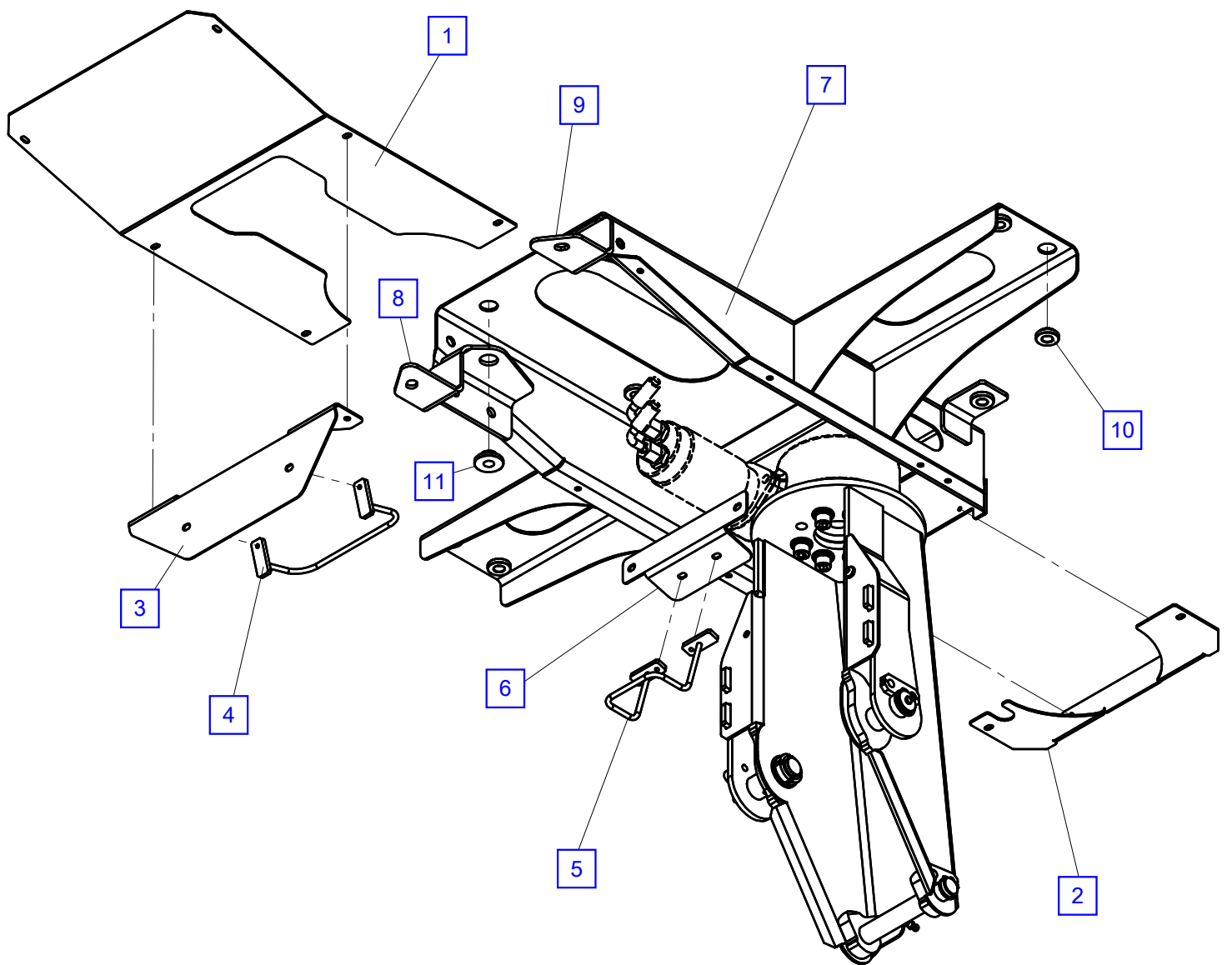
No.	Spare part	Qty.	Description	Dimension
1	B-W910-01-34	6	Screw-TCEI	M6X30 UNI 5931 A2 70
2	B-W700-01-29	1	Load holding valve	
3	B-W920-00-05	1	Bushing	PM2020DX
4	B-W500-04-00	1	levelling cylinder	
5	B-W720-00-03	1	Seal kit	



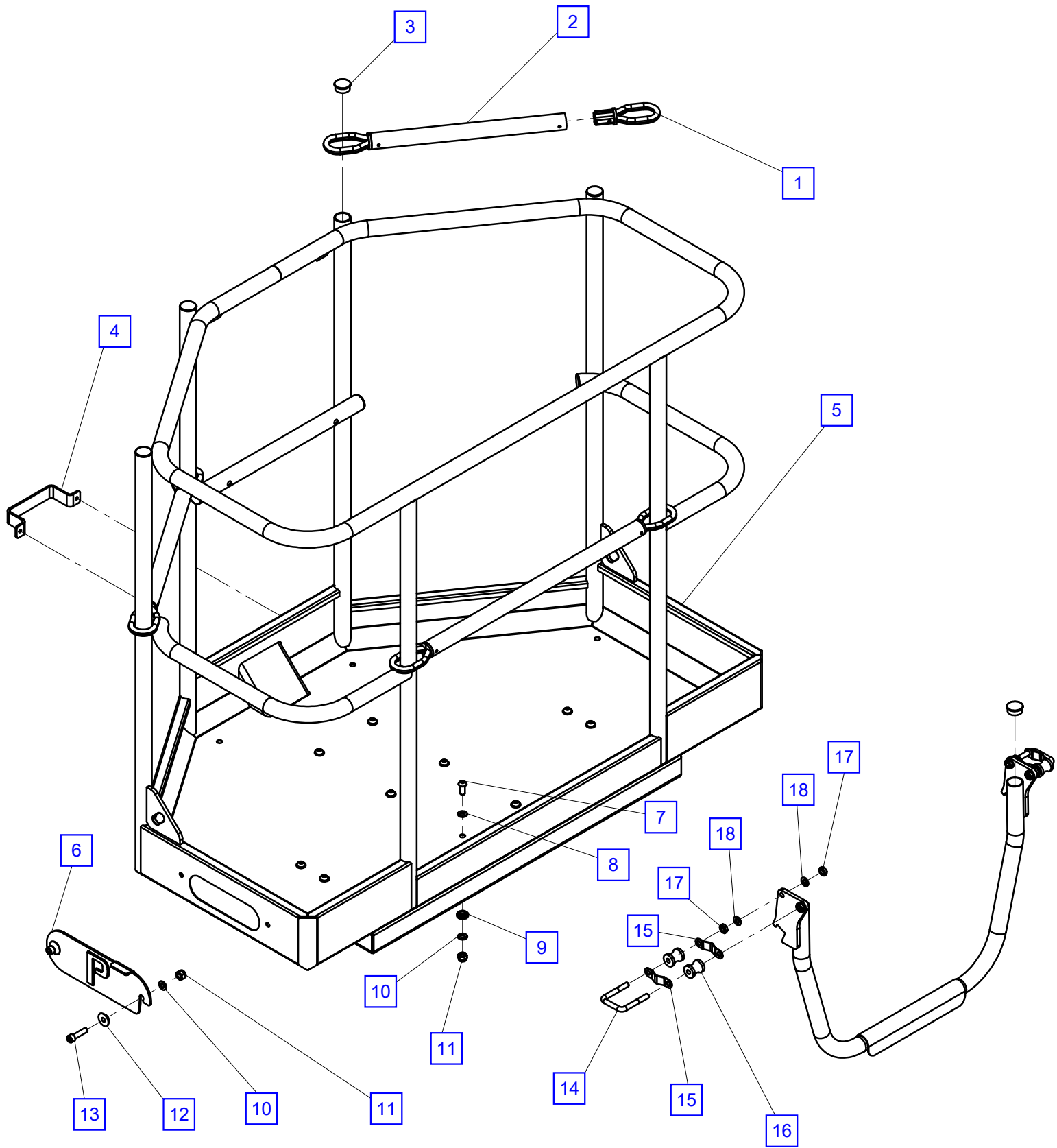
No.	Spare part	Qty.	Description	Dimension
1	B-W260-16-00	1	Jamb	
2	B-W940-05-02	2	Bushing	
3	B-W940-01-03	2	Washer	A22 UNI 1750
4	B-W550-23-00	1	Pin	
5	B-W560-03-00	2	Pin locking	
6	B-W940-01-05	4	Washer	8.4x16x1.6 UNI 6592 A2
7	B-W940-01-01	4	Washer-Grower	D.8 A2 INOX UNI 1751
8	B-W940-01-27	2	Washer-SCHNORR	D.8
9	B-W940-01-03	2	Washer	A22 UNI 1750
10	B-W940-04-03	2	Lug	D.25 UNI 7435
11	B-W940-04-01	2	Lug	D.20 UNI 7435
12	B-W940-02-02	2	Grease nipple	M6 UNI 7663 - A
13	B-W560-02-00	2	Pin locking	
14	B-W550-02-00	1	Pin	
15	B-W940-01-08	1	Washer	17x30X3 UNI 6592
16	B-W940-05-03	1	Bushing	



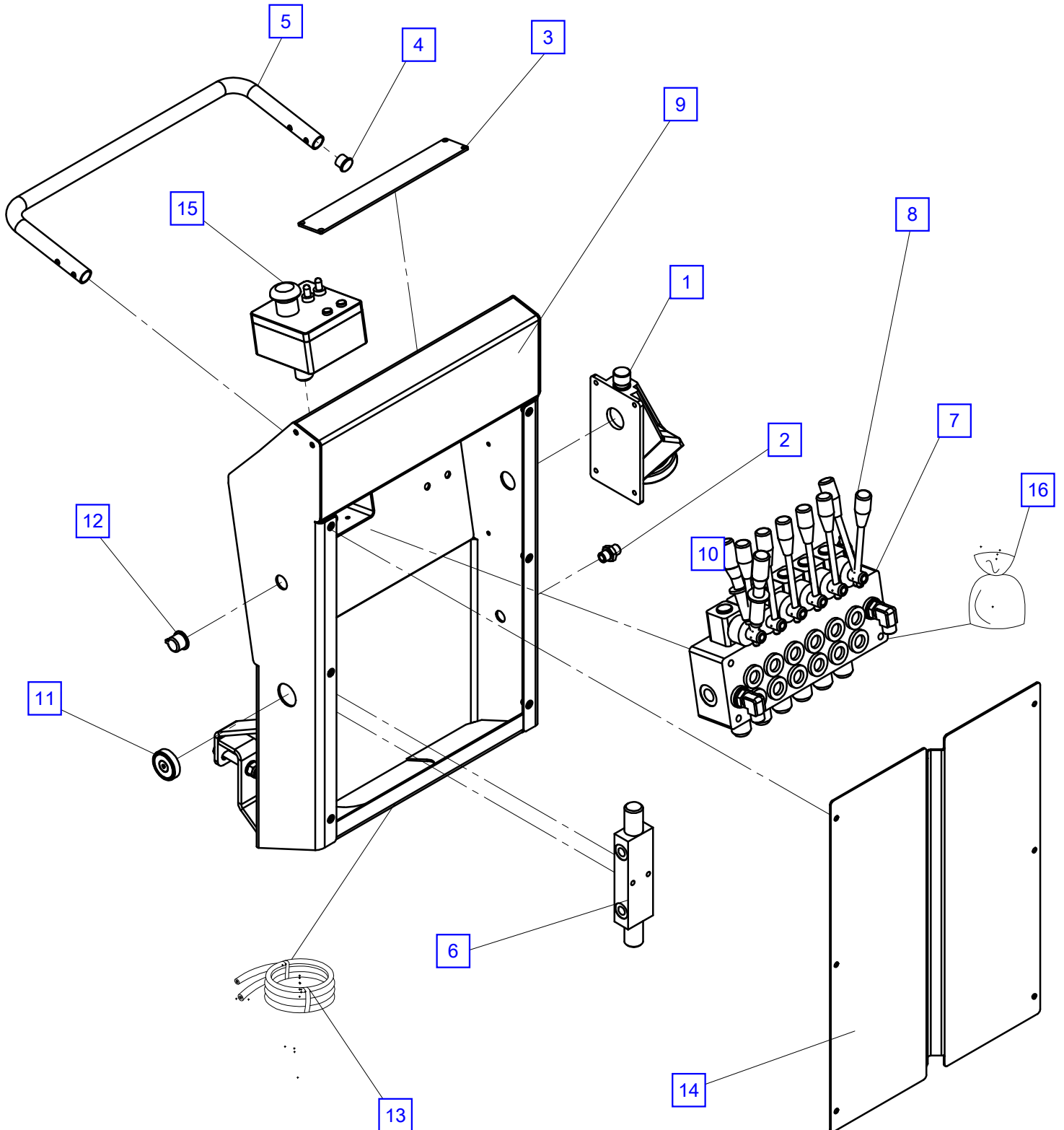
No.	Spare part	Qty.	Description	Dimension
1	B-W910-01-97	8	Screw-TCEI	M10x30 UNI 5931-12.9-ZN LAM
2	B-W940-01-82	24	Spring washer	10.5x17.5x2.2 UNI 1751 A2
3	B-W940-01-84	24	Washer	Ø10,5x22 UNI 6592
4	B-W910-01-77	1	Screw-TCEI	M10x35 UNI 5931 12.9
5	B-W630-00-08	1	Slewing table	
6	B-W700-02-02	1	Motor	



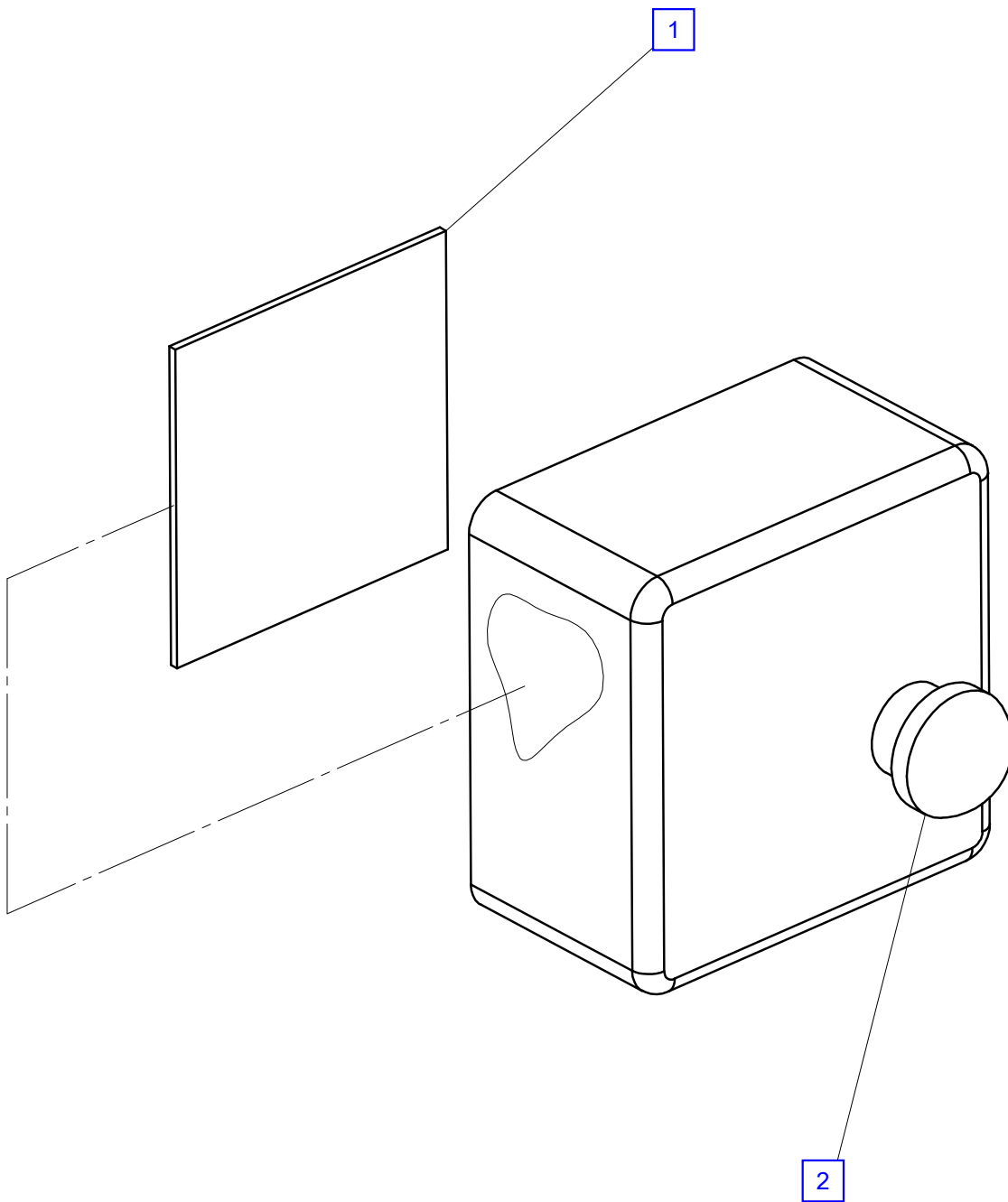
No.	Spare part	Qty.	Description	Dimension
1	B-W290-67-03	1	Cover	
2	B-W290-67-04	1	Cover	
3	B-W290-74-02	1	Hose guide	
4	B-W290-73-00	1	Thimble	
5	B-W290-68-00	1	Thimble	
6	B-W290-74-01	1	Thimble	
7	B-W270-06-00	1	Jamb	
8	B-W290-81-01	1	cage carrier-SX	
9	B-W290-81-02	1	cage carrier-DX	
10	B-W400-82-00	10	Bushing	
11	B-W402-75-00	2	Bushing	



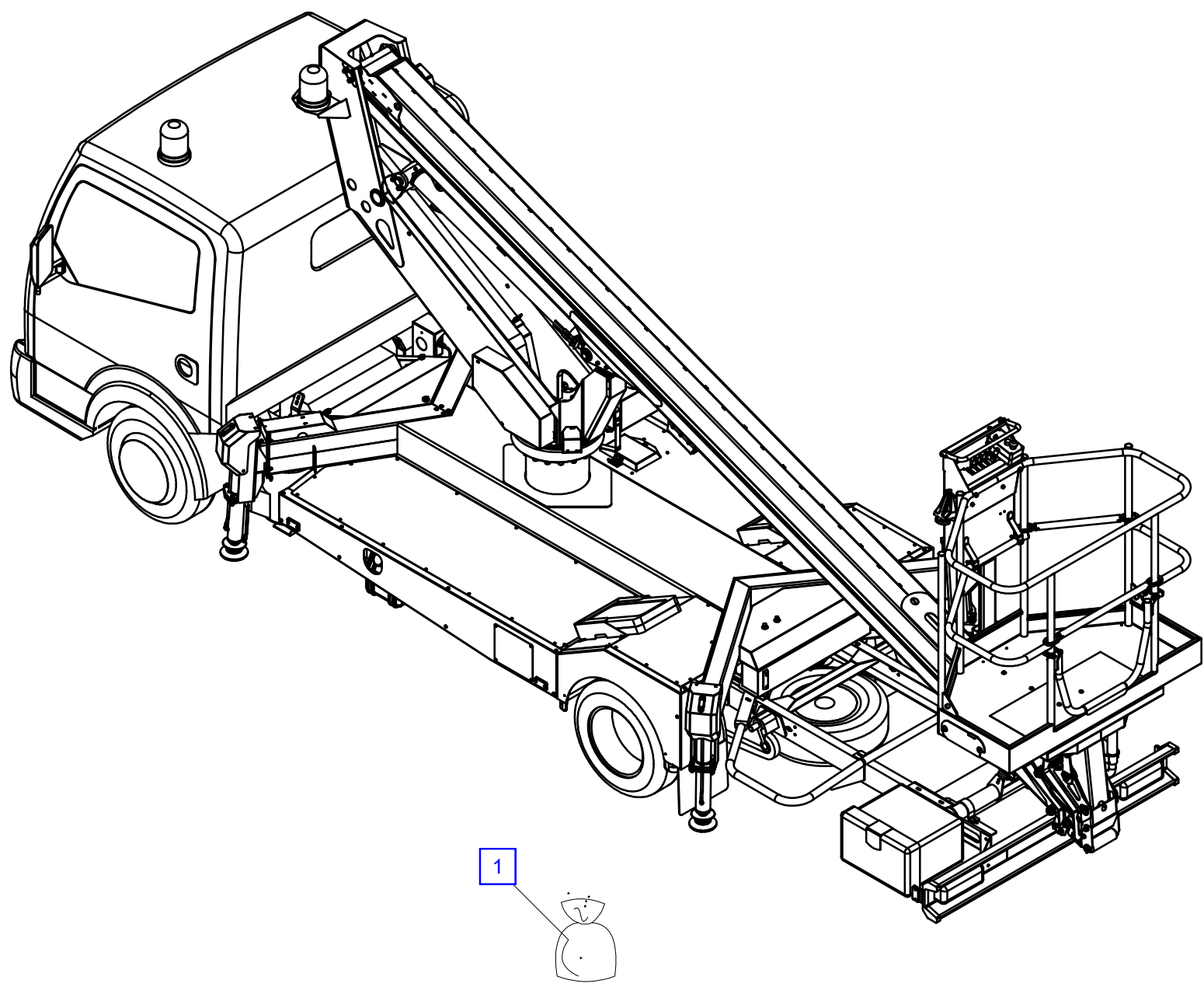
No.	Spare part	Qty.	Description	Dimension
1	B-W910-90-01	4	Guide ring	
2	B-W290-71-00	2	Connecting rod	
3	B-W960-00-04	1	Plug	
4	B-W290-12-00	1	Fixing stirrup	
5	B-W280-08-00	1	Workman basket	
6	B-W290-76-00	1	Closer	
7	B-W910-02-06	10	Screw-TBEI	M10X25 UNI 7380 A2 70
8	B-W940-01-04	10	Washer	10.5x20x2 UNI 6592 A2
9	B-W400-82-00	10	Bushing	
10	B-W940-01-04	12	Washer	10.5x20x2 UNI 6592 A2
11	B-W940-00-12	12	Nut	M10 UNI 7473 A2-70
12	B-W400-22-00	2	cone disc	
13	B-W910-01-30	2	Screw-TCEI	M10X40 UNI 5931 A2 70
14	B-W940-10-00	2	U Bolt	M10 l=51 - H=81
15	B-W290-05-00	4	Clip	
16	B-W400-05-00	2	Guide roller	
17	B-W940-00-09	8	Nut	1" GAS
18	B-W940-01-04	8	Washer	10.5x20x2 UNI 6592 A2



No.	Spare part	Qty.	Description	Dimension
1	B-W740-07-02	1	sockets - cage	
2	B-W950-01-00	1	Fitting	
3	B-W290-67-01	1	Blind cover	
4	B-W960-00-03	2	Plug	
5	B-W290-10-00	1	Stirrup	
6	B-W700-01-38	1	Sequence valve	
7	B-W700-01-35	1	Control valve	
8	B-W730-07-07	5	Lever-165mm	
9	B-W290-66-00	1	Control box	
10	B-W730-03-04	1	Microswitch-XCMD21F2L1	
11	B-W740-06-14	1	Buzzer	
12	B-W730-00-14	1	Heater plug	
13	B-W650-02-14	1	Pipe kit	
14	B-W290-06-00	1	Cover	
15	B-W740-10-28	1	Electrical system-LIT	
16	B-W720-02-01	1	Seal kit firm-Distributor	



No.	Spare part	Qty.	Description	Dimension
1	B-W740-03-08	1	Wiring Diagram-PPI0316	
2	B-W740-06-02	1	Emergency cut-off button	



PALFINGER
Palfinger Platforms Italy s.r.l.

No.	Spare part	Qty.	Description	Dimension
1	B-W600-60-67	1	Plates and Decals kit-ITA	
1	B-W600-70-40	1	Plates and Decals kit-DEU	
1	B-W600-70-44	1	Plates and Decals kit-UNG	

