

# SL26RT/SL30RT

DIESEL SPEED LEVEL



- The original Speed Level sigma lift
- Climbs gradients of up to 50%
- Auto-levelling without the need for outriggers
- Suitable for most terrains
- Powerful 4x4 drive
- Ideal for rough terrain or work at height on sloped ground

 **snorkel**<sup>™</sup>  
[www.snorkellifts.com](http://www.snorkellifts.com)

## DIESEL SPEED LEVEL

# SL26RT/SL30RT

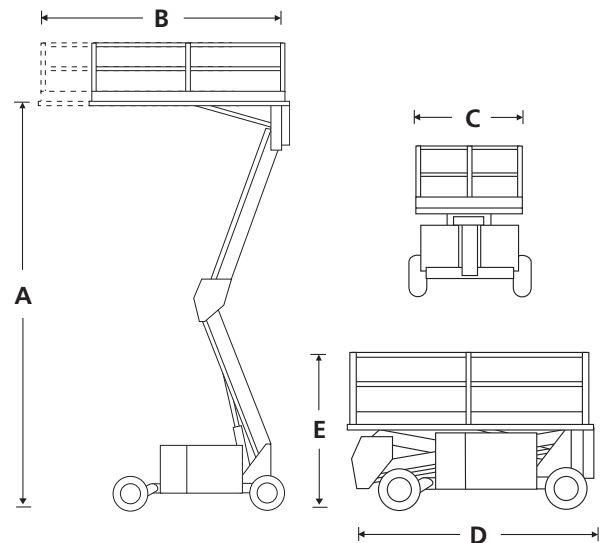
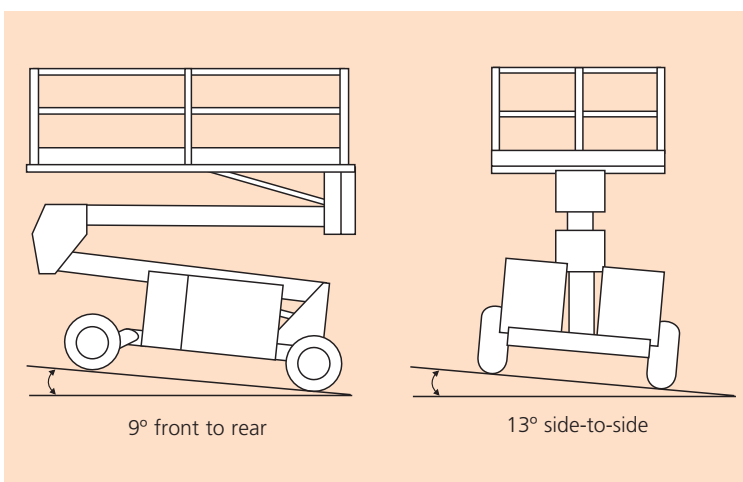
| DIMENSIONS                      | SL26RT        | SL30RT        |
|---------------------------------|---------------|---------------|
| Max. working height             | 10.0m         | 11.0m         |
| Max. platform height (A)        | 8.0m          | 9.0m          |
| Platform size (stowed)          | 1.72m x 3.66m | 1.72m x 4.23m |
| Platform size (extended) (B)    | 1.72m x 4.6m  | n/a           |
| Extension deck length           | 0.91m         | n/a           |
| Overall width (C)               | 2.13m         | 2.13m         |
| Overall length (D)              | 3.79m         | 4.3m          |
| Stowed height (E)               | 2.6m          | 2.6m          |
| Min. height (guardrails folded) | 1.7m          | 1.7m          |
| Chassis ground clearance        | 305mm         | 305mm         |
| Axle ground clearance           | 195mm         | 195mm         |

| PERFORMANCE                   | SL26RT  | SL30RT    |
|-------------------------------|---|-----------|
| Platform capacity (SWL)       | 680kg   | 590kg     |
| Max. drive height             | 8.0m  | 9.0m      |
| Max. wind speed               | 12.5m/s   | 12.5m/s   |
| Max. drive speed (stowed)     | 6.4km/h   | 6.4km/h   |
| Max. drive speed (elevated)   | 0.8km/h   | 0.8km/h   |
| Raise/lower time              | 21/32 sec   | 24/36 sec |
| Gradeability                  | 50%   | 50%       |
| Max. levelling, front to rear | 9°  | 9°        |
| Max. levelling, side to side  | 13°   | 13°       |
| Inside turning radius         | 3.9m  | 3.9m      |
| Outside turning radius        | 5.64m   | 5.64m     |
| Tyres                         | 26 x 12.00 - 12 foam filled                           |           |
| Controls                      | proportional joystick                                 |           |
| Drive system                  | 4 wheel drive with hydraulic motors and flow dividers |           |

| POWER        | SL26RT  | SL30RT |
|--------------|---|--------|
| Power source | Kubota D-902 water-cooled diesel Tier 4 Final |        |

| WEIGHT | SL26RT  | SL30RT  |
|--------|---------|---------|
| Weight | 3,500kg | 3,400kg |

### LEVELLING CAPABILITIES



### STANDARD FEATURES

- Automatic powered platform levelling
- Powerful 4 wheel drive
- Oscillating front axle
- High grip, open tread deck (SL30RT)
- Roll-out deck extension (SL26RT)
- Descent alarm
- High grip all-terrain tyres
- Dual multi-disc brakes
- Proportional controls
- Power line to platform
- Fold-down guardrails
- All motion alarm
- Flashing amber light
- Hour meter & on-board diagnostics display
- Horn
- 2 year parts & labour, 5 year structural warranty
- CE approved

### OPTIONS

- Special paint colours
- Diesel exhaust scrubber
- Environmental hydraulic oil
- Hydraulic generator 110V/240V 3.5kW
- Tunnel package
- Non-marking tyres
- Aluminum platform floor (SL26RT only)

**snorkel** [www.snorkellifts.com](http://www.snorkellifts.com)

Vigo Centre, Birtley Road,  
Washington, Tyne & Wear,  
NE38 9DA, U.K.

t: +44 (0) 845 1550 057  
e: sales.emea@snorkellifts.com