

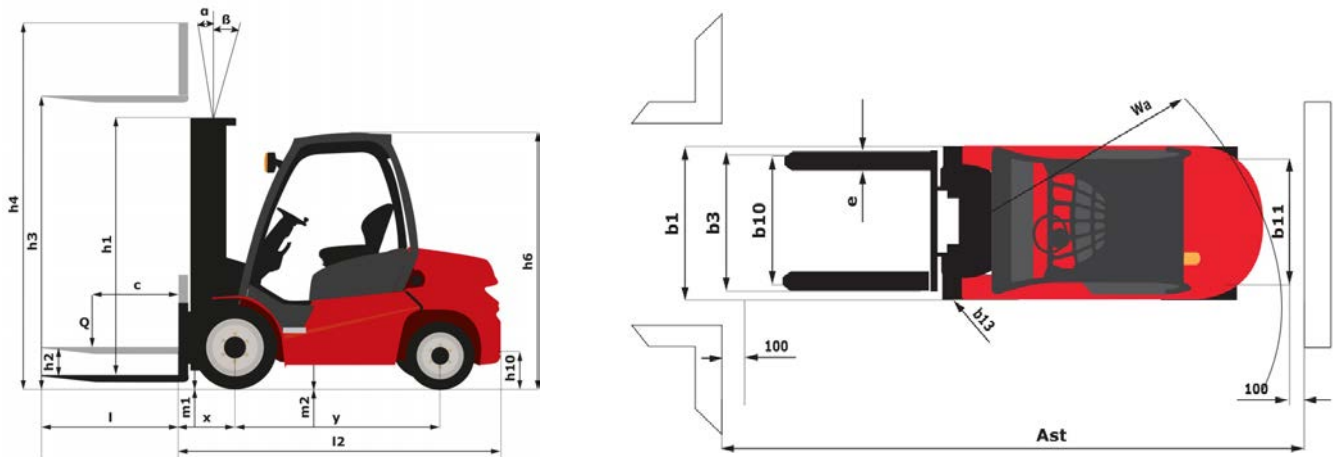
Technical sheet :

MI 20 G



	Technical characteristics		Metric
1.1	Manufacturer		Manitou
1.2	Model Name		MI 20 G
1.3	Power source		Lpg
1.4	Operator type		Seated
1.5	Max. capacity	Q	2000 kg
1.6	Load centre of gravity	c	500 mm
1.8	Load distance, centre of drive axle to fork	x	465 mm
1.9	Wheelbase	y	1600 mm
	Weight		
2.1	Service weight		3620 kg
2.2	Weight on front axle (laden) / rear axle (laden)		4930 kg / 690 kg
2.3	Weight on front axle (Unladen) / rear axle (Unladen)		1720 kg / 1900 kg
	Wheels		
3.1	Tyres type		PPS
3.2	Dimensions of front wheels		7.00-12 12
3.3	Dimensions of rear wheels		6.00-9 10
3.5	Number of front wheels / rear wheels		2 / 2
3.5.2	Number of drive wheels		2
3.6	Front wheel gauge	b10	965 mm
3.7	Rear wheel gauge	b11	973 mm
	Dimensions		
4.1	Tilt of Mast Forward (deg) / Backward (deg)	α / β	6 / 12
4.7	Height of overhead guard (cabin)	h6	2115 mm
4.8	Seat height/stand height	h7	1190 mm
4.12	Height of towing bar (coupling height)	h10	355 mm
4.19	Overall length	l1	3615 mm
4.20	Length to face of forks	l2	2465 mm
4.21	Overall width	b1	1155 mm
4.22	Forks section / width / length	s / e / l	40 mm x 122 mm / 1150 mm
4.23	Fork carriage ISO 2328 (class/form) A/B		FEM 2A
4.24	Fork carriage width	b3	1038 mm
4.31	Ground clearance below mast	m1	115 mm
4.32	Ground clearance at centre of wheelbase	m2	175 mm
4.33	Aisle width for 1000 x 1200 pallet widthways	Ast	3865 m
4.34	Aisle width for 800 x 1200 pallet lengthways	Ast	4065 m
4.35	Turning radius	Wa	2200 mm
4.36	Internal turning radius (over tyres)	b13	145 mm
	Performances		
5.1	Travel speed (laden / unladen)		18.8 km/h / 19.4 km/h
5.2	Lifting speed (laden / unladen)		0.47 m/s / 0.55 m/s
5.3	Lowering speed (laden / unladen)		0.48 m/s / 0.5 m/s
5.5	Drawbar pull (Laden / Unladen)		1680 daN / 1040 daN
5.7	Gradeability (laden / unladen)		20 % / 20 %
5.10	Service brake		Hydraulic
	Engine		
7.1	Engine brand / model		GCT (ex-Nissan) / K25
7.2	Engine power according to ISO 1585		35 kW
7.3	Rated speed		2400 rpm
7.4	Number of cylinders / Capacity of cylinders		4 - 2488 cm ³
7.5	Fuel consumption according to VDI cycle		6.3 l/h
	Miscellaneous		
8.2	Working hydraulic pressure for attachments		160 Bar
8.3	Oil flow rate for attachments		72 l/min
8.4	Measured/guaranteed mean noise level at the ear of the operator		< 80 dB(A)

Dimensional drawing



Characteristics of masts and residual capacities

Full Visibility Duplex		FVD 33	FVD 33	FVD 37	FVD 37	FVD 40	FVD 40
h1 - Height mast lowered *	mm	2185	2185	2435	2435	2635	2635
h2 - Free lift	mm	140	140	140	140	140	140
h3 - Lifting Height	mm	3300	3300	3700	3700	4000	4000
h4 - Height mast extended *	mm	3960	3960	4360	4360	4660	4660
α / β - Mast inclination (front / rear)	°	6 / 12	6 / 12	6 / 12	6 / 12	6 / 12	6 / 12
Height at max capacity	mm	3300	3300	3700	3700	4000	4000
Height at max capacity with integrated sideshift	mm	3300	3300	3700	3700	4000	4000
Residual capacity without attachment (Industrial load chart)	kg	2000	2000	2000	2000	2000	2000
Residual capacity with integrated side shift (Industrial load chart)	kg	2000	2000	2000	2000	2000	2000
Height at max capacity Fork positioner + DL	mm		3300	3700	3700	4000	4000

Free Lift Duplex		FLD 33	FLD 33	FLD 37	FLD 40	FLD 40
h1 - Height mast lowered *	mm	2160	2160	2360	2560	2560
h2 - Free lift	mm	1480	1480	1680	1880	1880
h3 - Lifting Height	mm	3300	3300	3700	4000	4000
h4 - Height mast extended *	mm	3980	3980	4330	4680	4680
α / β - Mast inclination (front / rear)	°	6 / 12	6 / 12	6 / 12	6 / 12	6 / 12
Height at max capacity	mm	3300	3300	3700	4000	4000
Height at max capacity with integrated sideshift	mm	3300	3300	3700	4000	4000
Residual capacity without attachment (Industrial load chart)	kg	2000	2000	2000	2000	2000
Residual capacity with integrated side shift (Industrial load chart)	kg	2000	2000	2000	2000	2000
Height at max capacity Fork positioner + DL	mm	3300	3300	3700	4000	4000

Free Lift Triplex		FLT 43	FLT 43	FLT 45	FLT 45	FLT 47	FLT 47	FLT 48	FLT 50	FLT 55	FLT 60	FLT 65
h1 - Height mast lowered *	mm	2100	2100	2150	2150	2200	2200	2250	2300	2500	2750	2900
h2 - Free lift	mm	1400	1400	1470	1470	1520	1520	1570	1620	1820	2070	2200
h3 - Lifting Height	mm	4300	4300	4500	4500	4700	4700	4800	5000	5500	6000	6500
h4 - Height mast extended *	mm	5000	5000	5230	5230	5380	5380	5480	5680	6180	6730	7200
α / β - Mast inclination (front / rear)	°	6 / 6	6 / 6	6 / 6	6 / 6	6 / 6	6 / 6	6 / 6	6 / 6	3 / 6	3 / 6	3 / 6

Free Lift Triplex		FLT 43	FLT 43	FLT 45	FLT 45	FLT 47	FLT 47	FLT 48	FLT 50	FLT 55	FLT 60	FLT 65
Residual capacity without attachment (Industrial load chart)	kg	1850	1850	1800	1800	1750	1750	1750	1700	1300	900	800
Residual capacity with integrated side shift (Industrial load chart)	kg	1750	1750	1700	1700	1650	1650	1650	1600	1200	800	700



Siège Social
430 rue de l'Aubinière - 44150 Ancenis Cedex - France
Tel: +33(0)2 40 09 10 11 - Fax: +33 (0)2 40 09 10 97
www.manitou.com



This brochure describes versions and configuration options for Manitou products which may be fitted with different equipment. The equipment described in this brochure may be standard, optional or not available depending on version. Manitou reserves the right to change the specifications shown and described at any time and without prior warning. The manufacturer is not liable for the specifications given. For more information, contact your Manitou dealer. Non-contractual document. Product descriptions may differ from actual products. List of specifications is not comprehensive. The logos and visual identity of the company are the property of Manitou and may not be used without authorisation. All rights reserved. The photos and diagrams contained in this brochure are provided for information only.

MANITOU BF SA - Limited company with board of directors - Share capital: 39,668,399 euros - 857 802 508
RCS Nantes