

DW40

Wheel Dumpers



**WACKER
NEUSON**
all it takes!



The safe all-wheel pro

Safety, performance and cost saving are the main factors here. Modern engine technology moves the wheel dumper DW40 at a speed of 25 km/h with four tons of payload in total. The powerful diesel engine with DPF fulfills the currently valid exhaust emission standard Stage 5. The DW40 also provides more safety on the construction site: When the engine is switched off, the spring-loaded parking brake is automatically actuated and prevents the machine from rolling away. With optimized ascent and descent in signal color, the operator can get into the machine comfortably and safely.

- Extremely cost-efficient and productive due to doubled maintenance intervals
- Auto-stop function switches the machine off automatically if it is not used for a set time period
- Hydrostatic all-wheel drive with ECO mode provides constant tractive force and a gentle driving mode
- Easily reachable service and maintenance accesses placed at an ideal height
- An articulated pendulum joint and partial-lock differential make child's play out of difficult ground conditions

DW40 Technical specifications

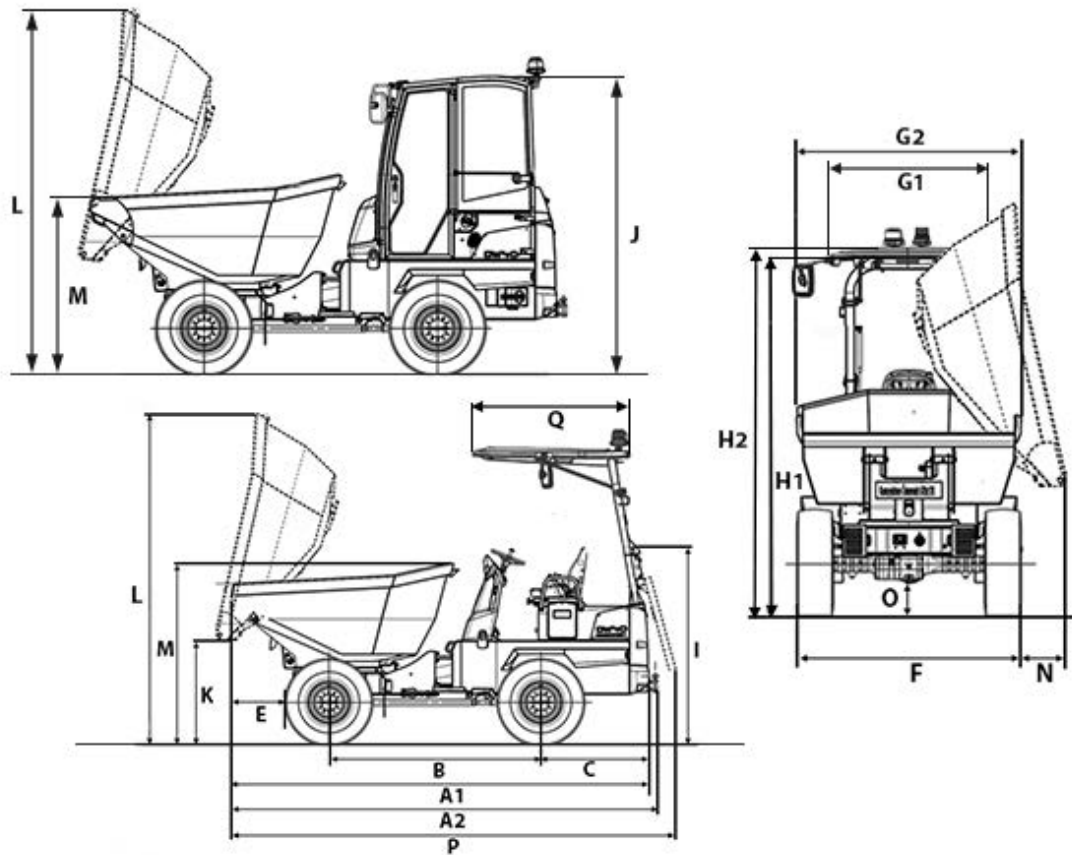
Operating data

Payload	4,000 kg
Shipping weight Cabin	2,785 kg
Shipping weight Roll over protection system	2,575 kg
Operating weight Cabin	2,900 kg
Operating weight Roll over protection system	2,690 kg
Skip capacity struck	1,800 l
Skip capacity heaped	2,300 l
Skip capacity Water volume	1,190 l

Engine / Motor

Engine / Motor manufacturer	Perkins
Engine / Motor type	403J-E17T
Engine / Motor	Diesel
Engine performance according to ISO 3046/1	36 kW
Emission standards stage	5
Displacement	1,663 cm ³
Engine RPM	2200 rpm
Travel speed max.	25 km/h
Articulation angle	36 °
Pendulum angle	12 °
Turning radius	4,030 mm
Gradeability	50 %
Tires	11.5/80-15.3 Mitas TS-05
L x W x H	4.185 x 1.780 x 2.994 mm
Steering pump	Axial piston pump
Flow rate	99 l/min
Operating pressure	448 bar
Duty pump	gear pump
Flow rate	30.9 l/min
Operating pressure	220 bar
Tank capacity	45 l

DW40 Dimensions



		Swivel tip skip
A1	Overall length	4,185 mm
A2	Overall length with towing hitch	4,269 mm
B	Wheelbase	2,090 mm
C	Rear overhang	1,072 mm
E	Dumping distance	567 mm
F	Width	1,780 mm
G1	Width Sun shade canopy	1,114 mm
G2	Skip width	1,780 mm
H1	Height Roll over protection system	2,857 mm
H2	Height with sun shade canopy	2,921 mm
I	Height ROPS folded down	1,945 mm
J	Height Cabin	2,669 mm
K	Dump height max.	1,014 mm
L	Skip height Tipped skip	3,298 mm
M	Skip height	1,582 mm
N	Dumping distance sideways	383 mm
O	Ground clearance	257 mm
P	Length ROPS folded down	4,441 mm
P	Length ROPS folded down with sun shade canopy	4,557 mm

Q	Length Sun shade canopy	1,387 mm
--	Dump angle	48 °

Please note: that product availability can vary from country to country. It is possible that information / products may not be available in your country. More detailed information on engine power can be found in the operator's manual; the stated power may vary due to specific operating conditions. Subject to alterations and errors excepted. Applicable also to illustrations.
Copyright © 2021 Wacker Neuson SE.