



8003

Compact Excavators > 6 t



8003 Small turn excavator - Powerful and maneuverable.

Powerful and large displacement engines, low tail swing and perfectly coordinated hydraulic systems provide for quick and superior results with the 8003 from Wacker Neuson. In addition to the time-tested and proven Wacker Neuson benefits, such as spacious and tilting cabins as well as the best service access, the innovative quick-hitch system EASY LOCK is ideally matched to small turn excavators.

- Excellent stability and particular maneuverability with minimized tail swing.
- The generously sized and tiltable cabin with 5-way adjustable operator's seat and excellent circumferential visibility perfectly supports the quality of your work.
- Superior engine version and innovative hydraulics: The large sized hydraulic system achieves a significant power reserve.
- Stability that carries everything: The high tensile strength steel construction and torsion-resistant X-frame provide for a high level of stability and durability.
- Easy service access for daily visual inspections.



By attaching a hydraulically activated rail travel mechanism, the compact excavator becomes the 8003 railway – the road rail excavator for working on track systems. Click on "Applications" in order to learn more.



Technical specifications

Operating data

Shipping weight min.	7.760 kg
Operating weight min.	8.130 kg
Biting force max.	40,51 kN
Breakaway force max.	6.015 daN
Digging depth	4.290 mm
Dumping height max.	4.840 mm
Digging radius	7.170 mm
L x W x H	6,570 x 2,250 x 2,710 mm

Engine / Motor

Engine / Motor manufacturer	Yanmar
Engine / Motor type	4TNV98
Engine / Motor	Liquid-cooled, 4-cylinder diesel engine
Displacement	3.318 cm ³
RPM / speed	2.100 rpm
Engine performance according to ISO	43,7 kW
Battery	88 Ah
Tank capacity	93 l

Hydraulic system

Duty pump	Double variable and double gear pump
Flow rate	221,6 l/min
Operating pressure for working and driving hydraulics	300 bar
Operating pressure Slewing gear	245 bar
Hydraulic oil tank	99 l

Wheel set

Travel speed max.	5,2 km/h
Gradeability	58 %
Chain width	450 mm
Ground clearance	380 mm



Dozer Blade

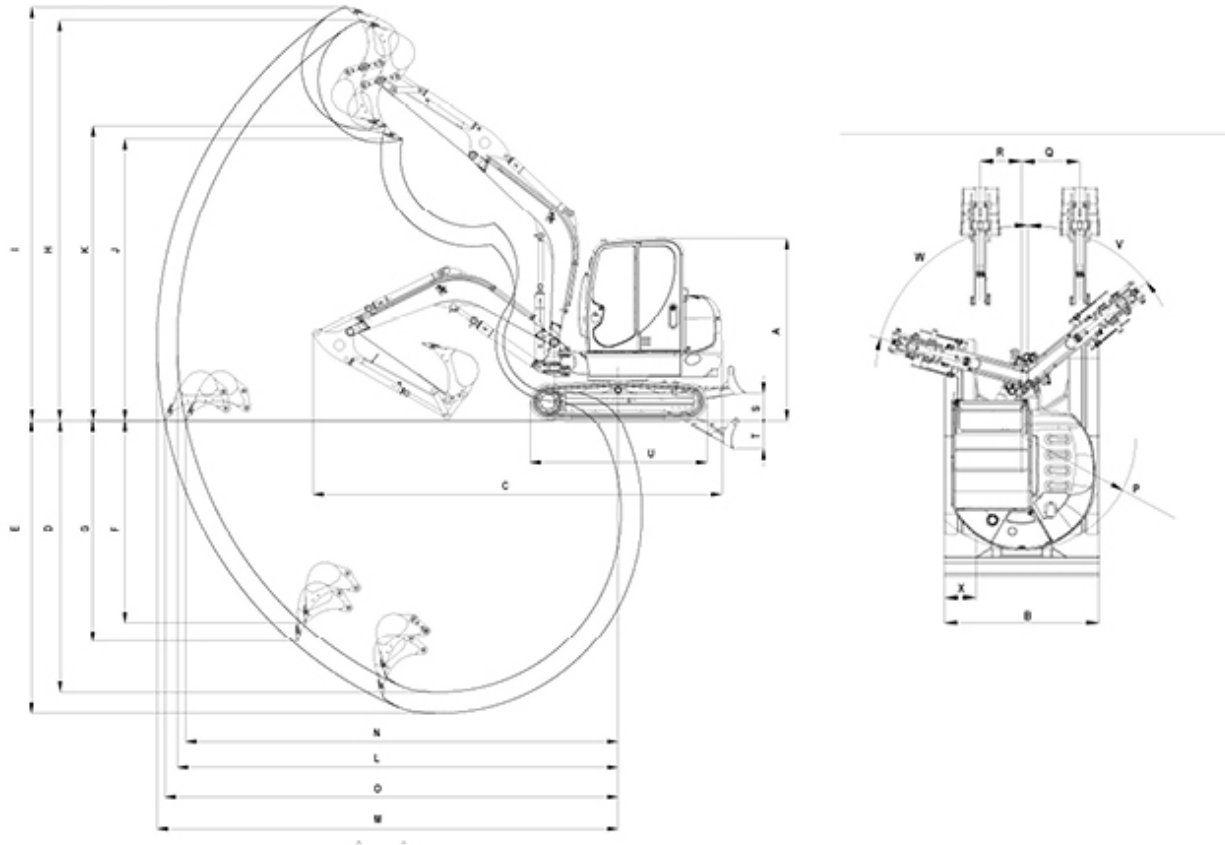
Width	2.300 mm
Height	500 mm
Stroke Dozer blade above subgrade	450 mm
Stroke Dozer blade below subgrade	520 mm

Sound level

Sound level (LwA) according to 2000/14/EC	98 dB(A)
Cabin - specified sound pressure level LpA according to ISO 6394	78 dB(A)



Dimensions



A	Height	2.710 mm
B	Width	2.300 mm
C	Transport length	6.573 mm
D	Digging depth Max.(short dipper stick)	4.310 mm
E	Digging depth Max. (long dipper stick)	4.610 mm
F	Insertion depth Max. vertical (short dipper stick)	3.664 mm
G	Insertion depth Max. vertical (long dipper stick)	3.963 mm
H	Insertion height Max.(short dipper stick)	6.979 mm
I	Insertion height Max. (long dipper stick)	7.168 mm
J	Dumping height Max.(short dipper stick)	4.840 mm
K	Dumping height Max. (long dipper stick)	5.030 mm
L	Digging radius Max.(short dipper stick)	7.190 mm
M	Digging radius Max. (long dipper stick)	7.470 mm



N	Range Max. on ground (short dipper stick)	7.046 mm
O	Range Max. on ground (long dipper stick)	7.334 mm
P	Rear swivel radius Min.	1.550 mm
Q	Arm displacement Max. to center of bucket right side	719 mm
R	Arm displacement Max. to center of bucket left side	546 mm
S	Lift height Max. dozer blade above subgrade	450 mm
T	Scraping depth Max. dozer blade below subgrade	528 mm
U	Length Travel gear	2.808 mm
V	Turning angle Max. arm system to the right	63 °
W	Turning angle Max. arm system to the left	67 °
X	Width Chains	450 mm

Please note

that product availability can vary from country to country. It is possible that information / products may not be available in your country. More detailed information on engine power can be found in the operator's manual; the stated power may vary due to specific operating conditions.

Subject to alterations and errors excepted. Applicable also to illustrations.

Copyright © 2015 Wacker Neuson SE.