

## 2506

Telehandlers < 6,0 m



### The compact genius amongst telescopic wheel loaders

With their compact dimensions, Kramer telescopics open up a wide range of applications across many industries. The efficient machines impress with their dynamic all-wheel drive, high payload, high degree of manoeuvrability and low charge weight.

- Smart Handling driver assist system
- Efficient drive and low operating costs
- Modern comfort cab with panoramic windscreen and all-in-one joystick for maximum driver comfort
- Extremely robust design of the frame and loading system
- Variety of options for a large range of uses

**2506**

Telehandlers &lt; 6,0 m

**Technical specifications**

## Operating data

Bucket capacity (standard bucket)	0.85 m <sup>3</sup>
Operating weight (without add-on equipment)	4,730 kg

## Engine / Motor

Engine / Motor manufacturer	Deutz
Engine performance	50 kW

## Power transmission

Travel speed	20 km/h
Travel speed (optional)	30 km/h
Standard tires	12.5-18

## Steering and operating hydraulics

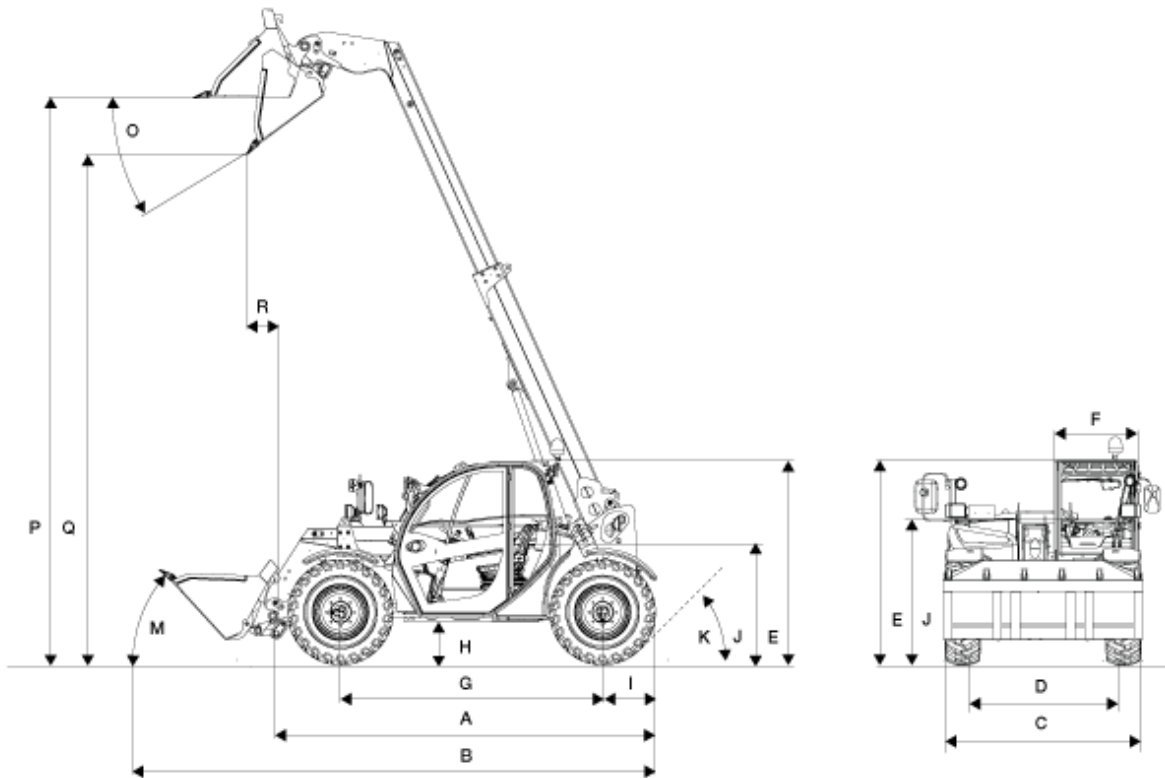
Flow rate (pump)	89 l/min
Pressure (maximum)	235 bar

## Kinematics

Payload (maximum)	2,500 kg
Payload (for max. lift height)	1,800 kg

Additional technical data is available in the detailed brochure in the informational material section

## Dimensions



A	Length (including tool frame)	4,300 mm
B	Length (with standard bucket)	4,958 mm
C	Width	1,960 mm
D	Track width	1,660 mm
E	Height	1,980 mm
F	Inside width (w/o wheels) (cab)	825 mm
G	Wheelbase	2,650 mm
H	Ground clearance	302 mm
I	Center of rear axle to end of vehicle	620 mm
K	Rear actuation angle	80 °
M	Tipping angle (standard bucket down)	45 °
O	Tip-out angle (standard bucket up)	22 °
P	Overhead loading height (extended)	5,600 mm

Q	Dumping height (extended)	5,280 mm
R	Dump reach (extended)	680 mm
	Stack height (extended)	5,730 mm
	Turning radius (over tyres)	3,670 mm

**Information on suitable accessories can be found on our website.**

The right to make changes is reserved in the interests of ongoing further developments. You can find more information on the engine power in the operator's manual. The actual power output figures may vary due to specific operating conditions.

Information on suitable accessories can be found on our website. More detailed information on engine power can be found in the operator's manual; the stated power may vary due to specific operating conditions. Subject to alterations and errors excepted. Applicable also to illustrations. Copyright © 2014 Kramer-Werke GmbH.