



## 2706

Telehandlers < 6,0 m



### The compact genius amongst telescopic wheel loaders

With their compact dimensions, Kramer telescopic wheel loaders open up a wide range of applications across many industries. The efficient machines impress with their dynamic all-wheel drive, high payload, high degree of manoeuvrability and low charge weight.

- Smart Handling driver assist system
- Efficient drive and low operating costs
- Modern comfort cab with panoramic windscreen and all-in-one joystick for maximum driver comfort
- Extremely robust design of the frame and loading system
- Variety of options for a large range of uses



## 2706

Telehandlers < 6,0 m

### Technical specifications

#### Operating data

Max. payload	2,700 kg
Operating weight	5,000 kg
Bucket capacity	0.85 m <sup>3</sup>
Lift height	5,730 mm
Turning radius	3,670 mm
Steering angle	2x38 °

#### Engine / Motor

Engine / Motor manufacturer	Kohler
Type / Model	KDI 2,504 TCR
Engine performance	55.4 kW
Emission standards stage	IIIB

#### Power transmission

Traction drive	Hydrostatic
Travel speed max	20 km/h
Travel speed optional	30 km/h
Differential lock	100% connectable
Service brake	Parking brake on all four wheels effective
Standard tires	12.5-18 MPT01

#### Operating hydraulics

Max. pump discharge capacity	90 l/min
Max. pump pressure	240 bar

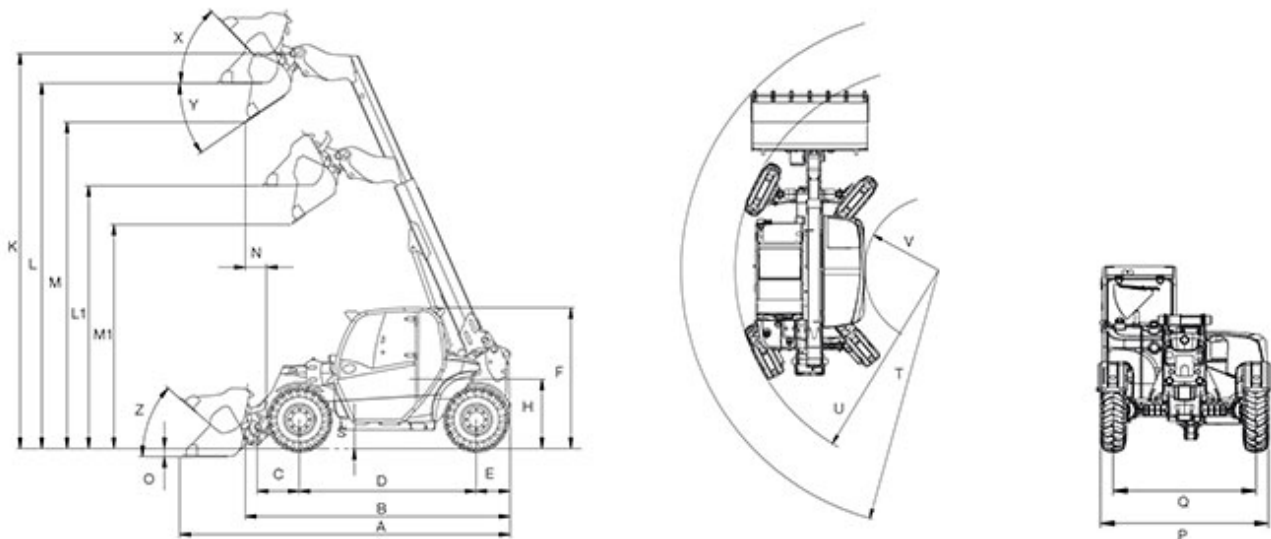


Filling capacities

Fuel tank	100 l
Hydraulic oil tank	75 l



## Dimensions



	Width	1,960 mm
A	Length (without attachment)	4,958 mm
B	Length	4,400 mm
C	Center of front axle to tip of teeth	1,030 mm
D	Wheelbase (middle)	2,650 mm
E	Rear overhang	720 mm
F	Height	1,980 mm
H	Seat height	1,025 mm
L1	Overhead loading height (extended)	3,730 mm
L	Overhead loading height	5,600 mm
M1	Dumping height (extended)	3,450 mm
M	Dumping height	5,280 mm
N	Dump reach	680 mm



O	Scraping depth	150 mm
P	Width	1,960 mm
Q	Track width	1,660 mm
S	Ground clearance	250 mm
T	Radius	4,500 mm
U	Radius	3,670 mm
V	Inside turning radius	1,700 mm
X	Reverse roll angle (at ground)	45 °
Y	Tip-out angle (standard bucket)	40 °
Z	Reverse roll angle	45 °
	Stack height	5,730 mm
	Turning radius (wheels)	3,670 mm

**Information on suitable accessories can be found on our website.**

The right to make changes is reserved in the interests of ongoing further developments. You can find more information on the engine power in the operator's manual. The actual power output figures may vary due to specific operating conditions.

Information on suitable accessories can be found on our website. More detailed information on engine power can be found in the operator's manual; the stated power may vary due to specific operating conditions. Subject to alterations and errors excepted. Applicable also to illustrations. Copyright © 2017 Kramer-Werke GmbH.