

MANISCOPIC

MHT 10160 L Turbo

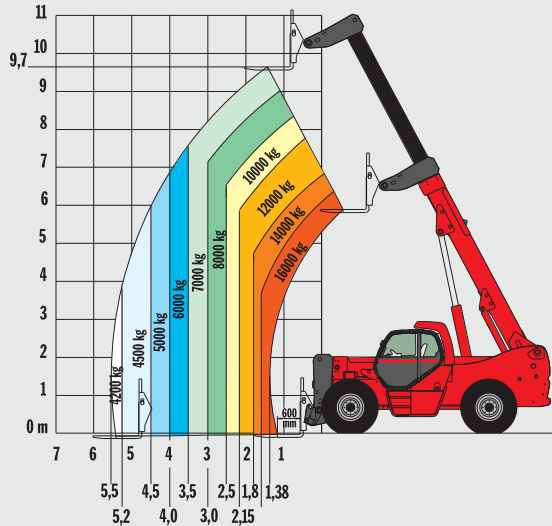
- Capacity : 16000 kg
- Lift height : 9,70 m
- Maximum forward reach : 5,50 m
- Engine : 170 HP
- 4 wheel steer – 4 wheel drive
- Hydrostatic transmission
- Frame levelling 10°/10°



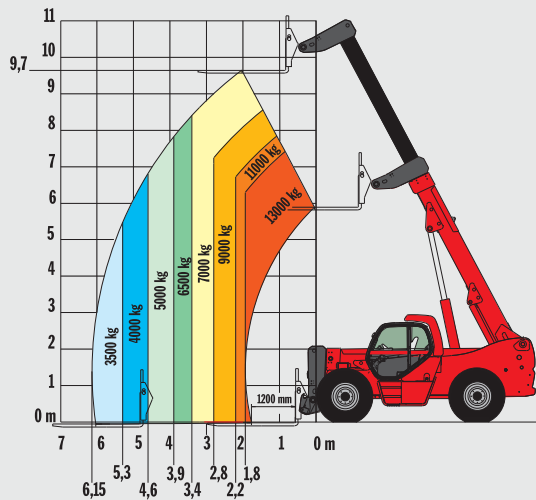
 **MANITOU**

MHT 10160 L TURBO

LOAD CENTRE AT 600 MM



LOAD CENTRE AT 1200 MM



ENGINE

Diesel MERCEDES OM 904 LA Turbo – Intercooler – Air / Air

Capacity : 4 cylinders / 4250 cm3
 Power (ISO/TR 14396) : 170 HP / 125 kw
 Rated speed : 2300 r.p.m.
 Maximum torque at 1200 r.p.m. : 660 Nm

Electronic injection (4 injection pumps and 4 injectors)

Fan : puller
 Cooling : water

Water radiator, with double-speed hydraulic fan (2000 to 3000 r.p.m.)

Anti-polluting standards : EUR2
 Air filter (type / micron) : cartridge / 3
 Battery : 12 Volts
 Capacity : 120 Ah

LIFT CAPACITY / HEIGHT

Load centre	at 600 mm	at 1200 mm
Lift capacity :	16000 kg	13000 kg
Capacity at max. height :	7000 kg	7000 kg
Capacity at max. front reach :	4200 kg	3500 kg
Lift height :	9,70 m	9,70 m
Maximum front reach :	5,50 m	6,15 m

TRANSMISSION

Hydrostatic transmission **REXROTH**

Hydrostatic variable flow pump : 125 cm3
 Hydrostatic variable cylinder engine : 160 cm3
 Reversing shift : electro-magnetic
 Differential central : YES

2 forward and reverse speeds :

Low speed : 10 km/h
 Fast speed : 25 km/h

HYDRAULICS

Main pump : Piston Load Sensing Haute pression

Capacity : 75 cm3
 Maximum pressure : 350 bar
 Flow : 170 L/mn
 Max. flow on attachment (at 350 bar) : 140 L/mn

Steering pump :

Type : Load sensing
 Maximum pressure : 210 bar

Power brake circuit pump :

Type : **REXROTH**
 Capacity : 25,7 cm3
 Maximum pressure : 40 bar
 Flow : 59 L/mn

Hydraulic oil radiator :

2 continuous fans
 2 automatic fans

Distributor : Big flow hydraulic proportional REXROTH (280 to 300 L/mn) with 4 closed centre elements

Drive Type :

Proportional hydraulic joystick with 3 movement combination

- 1- Lifting / Crowding
- 2- Boom extension / Attachment
- 3- Lifting / Boom extension

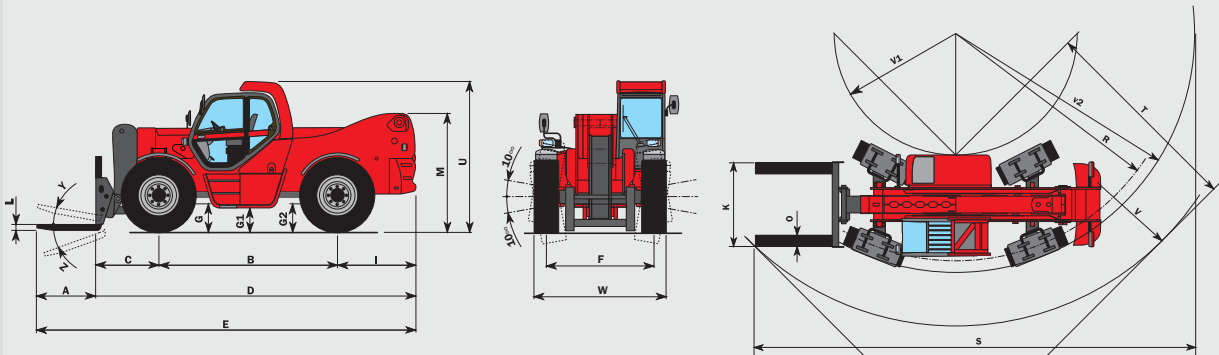
Flexibles :

TP tube type with high pressure type flexible links

Filtration degree (micron) :

Suction : 250 mic
 Return : 10 mic
 Filtration air tank : 10 mic

DIAGRAMMES



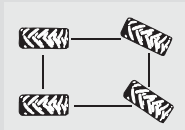
A	B	C	D	E	F	G	G1	G2	I	K	L	M	O	R	S	T	U	V	V1	V2	W	Y	Z
1500	3650	1335	6605	8105	2000	685	445	685	1620	2000	80	2300	200	5445	10345	4255	2935	6810	2870	5685	2500	12°	105°

AXLES

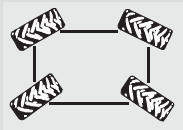
OMCI (stacker) Heavy Duty type, oil bath with epicycloidal reduction with 3 satellites Integrated steering cylinders with double action in high position

Frame levelling 10°/10° on front axle

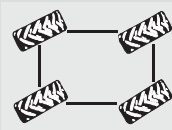
3 steering modes:



2 WHEEL STEERING



4 WHEEL STEERING



CRABSTEER

BRAKES

Type : oil bath multidisc
Drive type : hydraulic
On axle : front + rear

Parking brake on front and rear axles :
Oil bath multidisc negative parking brake

TYRES

Model : 16.00 R 25 XRB
Pressure : 10 bar
Drawbar pull : 15500 daN

LIFTING/TELESCOPING MOTIONS

Unladen lifting : 25 sec
Unladen lowering : 17 sec

Unladen extending internal telescope : 14 sec
Unladen retracting internal telescope : 11 sec

FORKS

Standard equipment TFF 10750
Dimensions : 200 x 80 x 1500 mm
Weight of forks : 560 kg

WEIGHT

Total weight without equipment : 22300 kg
Total weight unladen with forks : 23615 kg
Total weight laden with forks : 39615 kg

Load on axle with standard equipment (unladen)

On front axle, boom retracted : 9430 kg
On rear axle, boom retracted : 14185 kg

Load on axle with standard equipment (laden)

On front axle, boom retracted : 34200 kg
On rear axle, boom retracted : 5415 kg

CAPACITIES

Cooling circuit : 16 L
Engine oil : 8,1 L
Equipment hydraulic oil : 290 L
Fuel tank : 200 L

STANDARD EQUIPMENTS

- ROPS-FOPS cabin
- GRAMMER seat
- Front and rear wipers
- Driving lights
- Rotating beacon
- Left rearview mirror
- Safety device with automatic lock of aggravating movements
- Safety valves on cylinders
- Heating

OPTIONS

- Air conditioning
- Comfort seat
- Roof wipers
- Cabin rearview mirror

MHT 10160 L TURBO