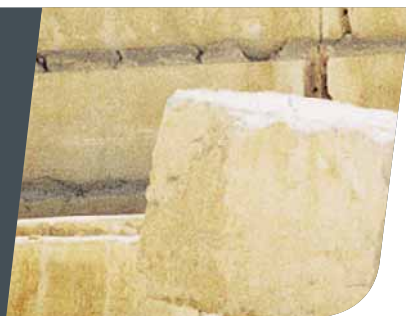


MHT Evolution

THE HIGH CAPACITY HANDLING Solution

TECHNICAL DATA



NEW
SAIE 2011
INTERNATIONAL BUILDING EXHIBITION



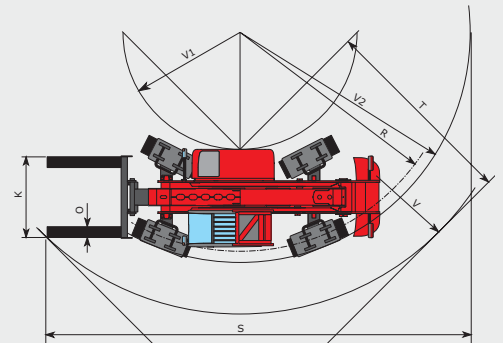
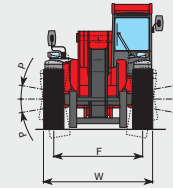
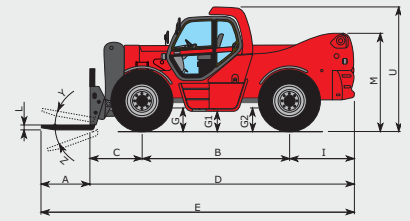
MHT 10225



MHT 10180

MHT Evolution

	MHT 10180	MHT10225	
	Lifting capacity		
	CDG 600 mm	18000 kg	-
	CDG 900 mm	-	22500 kg
	CDG 1200 mm	14000 kg	18500 kg
	Lifting height	9.7 m	
	Time: laden/unladen (in s)		
	Raise	25.00	32.00
	Lower	17.00	18.50
	Deploy telescope	14.00	
Retract telescope	11.00		
	Tyres	445/95 R25 XLB	23,5 R25 XLB ou 18 R25 XZM2
	Forks (mm)		
Length x width x thickness	1500 x 200 x 80	1800 x 250 x 100	
	Braking	multiple-disc brakes hydraulically assisted on front and rear axles	
	Service brake		
	Parking brake	negative	
	MERCEDES MTU Engine	OM 904	
	Capacity	4 cyl. - 4250 cm ³	
	Power at 2200 rpm (ISO/TR 14396)	175 HP/129 kW	
	Max. torque at 1200 rpm - 1600 rpm	675 Nm	
	Injection	direct	
	Cooling	water	
	Transmission	hydrostatic with automatic power regulation (hydraulic variable displacement pump and motor)	
	Reversing shift	electromagnetic	
	Number of gears (forward/reverse)	2/2	
	Max. travel speed	25 km/h	
	Rear axle	OMCI Heavy Duty (type stacker)	
	Frame levelling	10°/10°	5°/5°
	Steering mode	4 wheel steer / 4 wheel drive 3 steering mode	
	Hydraulics		
	Pump (Piston Load Sensing)	170 l/min - 350 bar	
	Control	joysticks JSM (Joystick Switch and Move)	
	Capacities		
	Cooling system	16 l	
	Engine oil	16 l	
	Hydraulic oil	200 l	
	Fuel tank	200 l	
	Unladen weight (with forks)	24080 kg	29800 kg
	Width overall	2.50 m	2.66 m
	Height overall	2.93 m	2.96 m
	Length (forks carriage)	6.60 m	6.86 m
	Ground clearance	0.45 m	0.47 m
	Drawbar pull	15500 daN	17400 daN



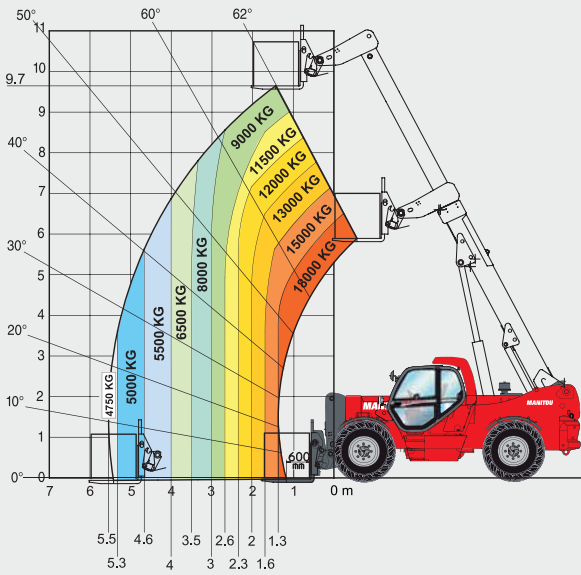
mm	MHT 10180	MHT 10225
A	1500	1800
B	3650	
C	1335	1350
D	6605	6860
E	8105	8660
F	2070	
G	685	510
G1	445	470
G2	685	510
I	1620	1860
K	1750	2000
L	80	100
M	2300	2325
O	200	250
P	10°	4°
R	5445	5750
S	10345	12030
T	4255	5040
U	2935	2960
V	6810	7280
V1	2870	3160
V2	5685	6050
W	2500	2660
Y	12°	
Z	105°	



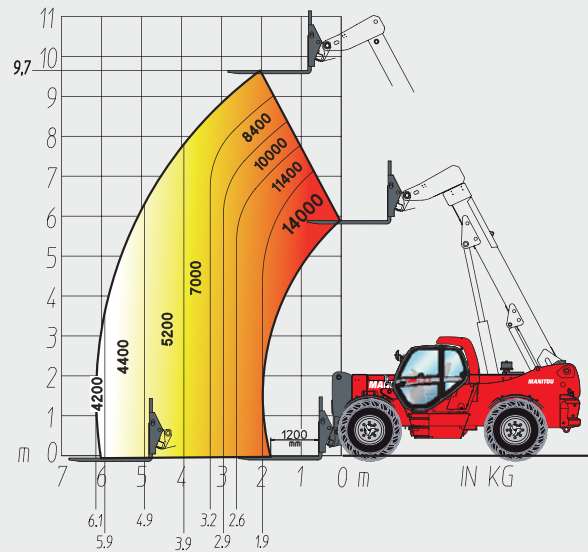
ROUGH TERRAIN LOAD CHART (UNDER EN 1459 ANNEXE B)

MHT 10180

CDG 600 MM

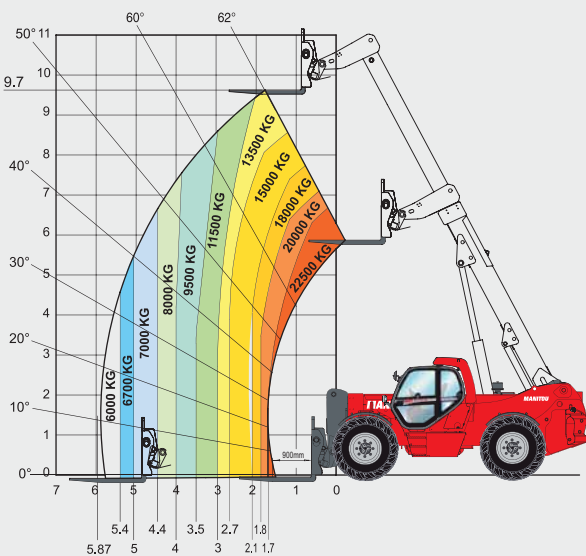


CDG 1200 MM

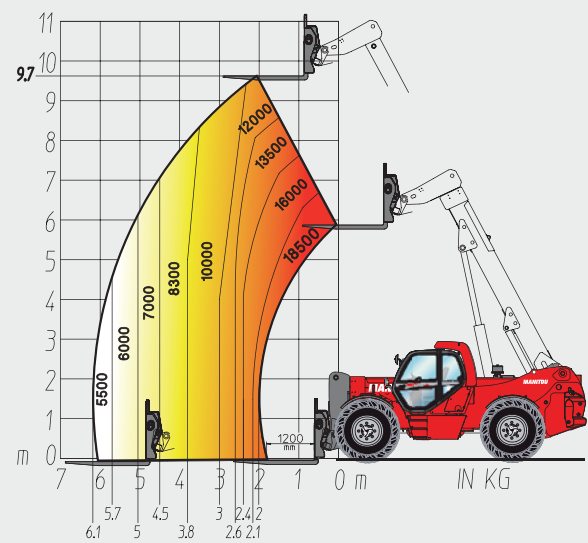


MHT 10225

CDG 900 MM



CDG 1200 MM



Abroad choice of attachment suitable for industry, construction and mining market's is available : cylinder clamps, hook, tyres clamp, bucket, jib, platforms...