

**KT124**

KT124

**The compact genius among telehandlers**

With its particularly compact dimensions, the telehandlers by Kramer open up a wide range of applications in all areas of agriculture. The efficient machines impress with their dynamic all-wheel drive, high payload, unbeatable manoeuvrability and low charge weight.

- Driver assist system VLS (Vertical Lift System)
- High manoeuvrability through ultracompact dimensions
- Easy to transport due to low charge weight
- Combines the advantages of a mini wheel loader/fork lift with those of a traditional telescope

**KT124**

KT124

Technical specifications

Operating data

Bucket capacity (standard bucket)	0,44 m ³
Operating weight	2.700 kg

Engine / Motor

Engine / Motor manufacturer	Yanmar
Engine performance	22 kW

Power transmission

Travel speed	20 km/h
Standard tires	10.5/75-15.3

Steering and operating hydraulics

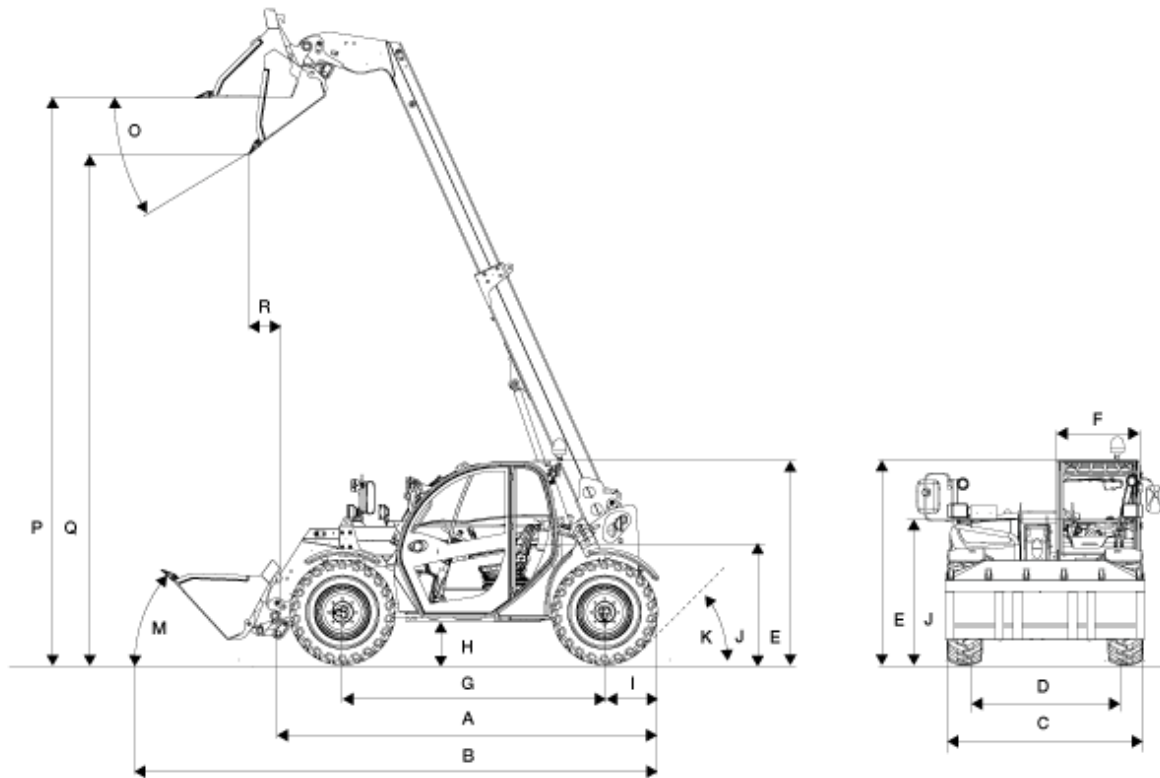
Flow rate (pump)	42 l/min
Pressure (maximum)	220 bar
Flow rate (optional)	75 l/min

Kinematics

Payload (maximum)	1.200 kg
Payload (for max. lift height)	1.200 kg
Payload (for max. range)	440 kg



Dimensions



A	Length (including tool frame)	2.916 mm
B	Length (with standard bucket)	3.879 mm
C	Width	1.560 mm
D	Track width	1.296 mm
E	Height	1.940 mm
F	Inside width (w/o wheels) (cab)	662 mm
G	Wheelbase	1.920 mm
H	Ground clearance	290 mm
I	Center of rear axle to end of vehicle	391 mm
K	Rear actuation angle	80 °
M	Tipping angle (standard bucket down)	44 °
O	Tip-out angle (standard bucket up)	31 °
P	Overhead loading height (extended)	4.130 mm



Q	Dumping height (extended)	3.600 mm
R	Dump reach (extended)	543 mm
	Stack height (extended)	4.310 mm
	Turning radius (over tyres)	2.607 mm

All information was determined with the following tires: 14.5 – 20

Information on suitable accessories can be found on our website.

The right to make changes is reserved in the interests of ongoing further developments. You can find more information on the engine power in the operator's manual. The actual power output figures may vary due to specific operating conditions.

Information on suitable accessories can be found on our website. More detailed information on engine power can be found in the operator's manual; the stated power may vary due to specific operating conditions. Subject to alterations and errors excepted. Applicable also to illustrations. Copyright © 2014 Kramer-Werke GmbH.