

**KT256**

KT256

**The premium model among telehandlers**

With its particularly compact dimensions, the telehandlers by Kramer open up a wide range of applications in all areas of agriculture. The efficient machines impress with their dynamic all-wheel drive, high payload, unbeatable manoeuvrability and low charge weight.

- Smart Handling driver assist system
- Efficient drive and low operating costs
- Extremely robust design of the frame and loading system
- Modern comfort cab with panoramic windscreen and all-in-one joystick for maximum driver comfort
- Variety of options for a large range of uses

**KT256**

KT256

**Technical specifications**

## Operating data

Bucket capacity (standard bucket)	0,85 m <sup>3</sup>
Operating weight (without add-on equipment)	4.730 kg

## Engine / Motor

Engine / Motor manufacturer	Deutz
Engine performance	50 kW

## Power transmission

Travel speed	20 km/h
Travel speed (optional)	30 km/h
Standard tires	12.5-18

## Steering and operating hydraulics

Flow rate (pump)	89 l/min
Pressure (maximum)	235 bar

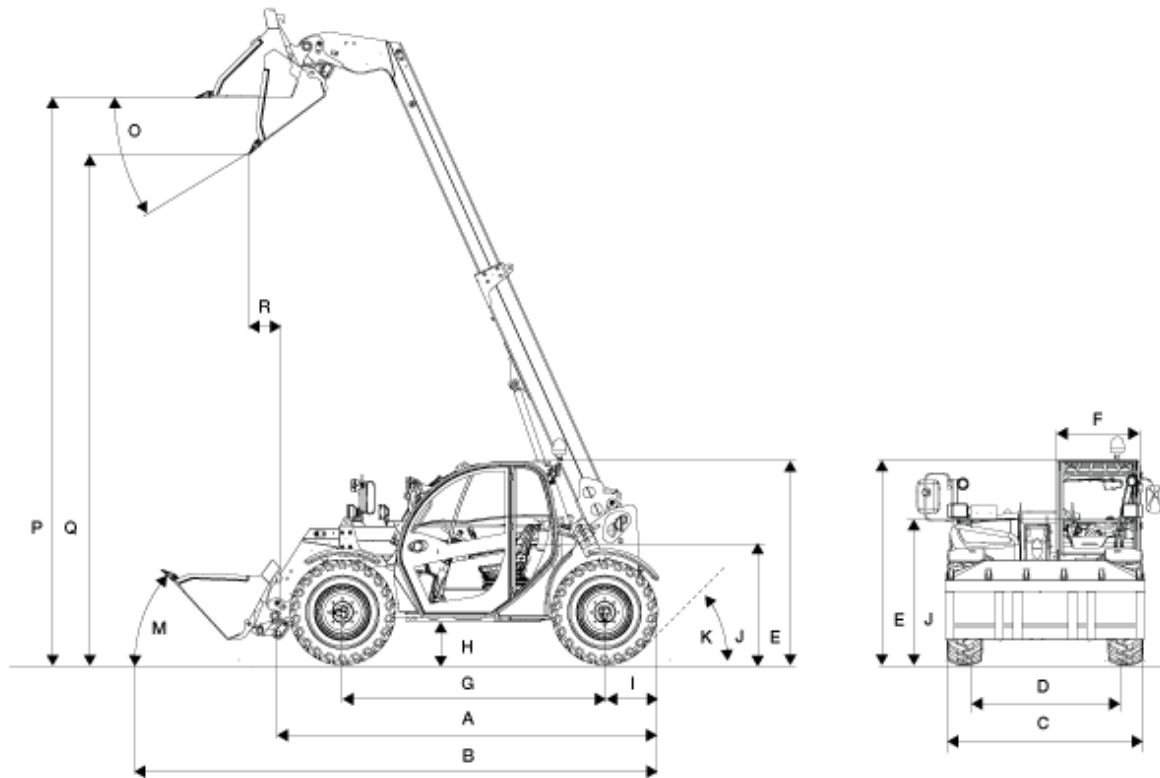
## Kinematics

Payload (maximum)	2.500 kg
Payload (for max. lift height)	1.800 kg
Payload (for max. range)	800 kg

All information was determined with the following tires: 12.5 – 18



## Dimensions



A	Length (including tool frame)	4.300 mm
B	Length (with standard bucket)	4.958 mm
C	Width	1.960 mm
D	Track width	1.660 mm
E	Height	1.980 mm
F	Inside width (w/o wheels) (cab)	825 mm
G	Wheelbase	2.650 mm
H	Ground clearance	302 mm
I	Center of rear axle to end of vehicle	620 mm
K	Rear actuation angle	80 °
M	Tipping angle (standard bucket down)	45 °
O	Tip-out angle (standard bucket up)	22 °
P	Overhead loading height (extended)	5.600 mm



Q	Dumping height (extended)	5.280 mm
R	Dump reach (extended)	680 mm
	Stack height (extended)	5.730 mm
	Turning radius (over tyres)	3.670 mm

**Information on suitable accessories can be found on our website.**

The right to make changes is reserved in the interests of ongoing further developments. You can find more information on the engine power in the operator's manual. The actual power output figures may vary due to specific operating conditions.

Information on suitable accessories can be found on our website. More detailed information on engine power can be found in the operator's manual; the stated power may vary due to specific operating conditions. Subject to alterations and errors excepted. Applicable also to illustrations. Copyright © 2014 Kramer-Werke GmbH.