

MLT 845

AGRICULTURAL HANDLING solutions



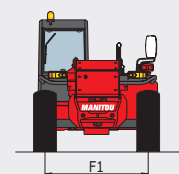
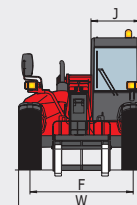
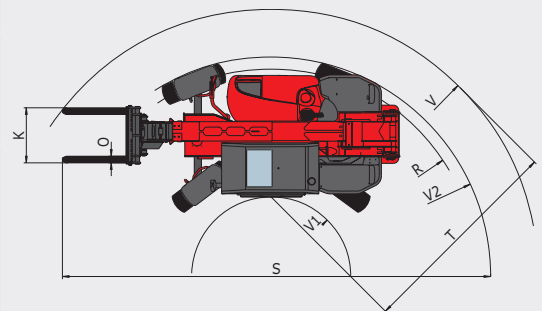
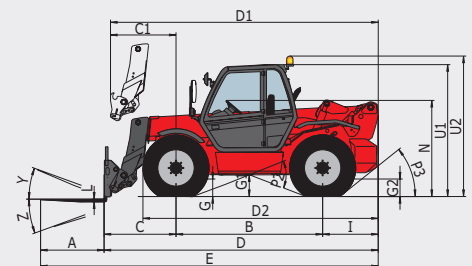
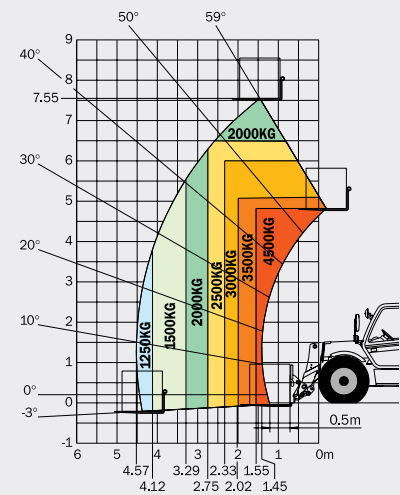
 **MANITOU**

MLT 845

	MLT 845-120 H	MLT 845-120
	Lifting capacity at 500 mm from fork heels Break-out force	
	4500 kg 6650 daN	
	Lifting height Time: laden/unladen (in sec)	
	7.55 m Lifting: 8.40/9.00 Lowering: 6.00/5.80 Extension: 9.70/9.90 Retraction: 8.30/8.20 Crowd: 3.70 Dump: 3.30	
	Tyres 460/70 R24	
	Forks (mm) Length x width x thickness Carriage rotation	
	1200 x 125 x 50 142°	
	Braking multiple-disk brake with oil bath on front and rear axles	
	MERCEDES STAGE III A engine OM-904LA Cubic capacity Power at 2200 rpm (ISO/TR 14396) Max. torque at 1600 rpm (ISO/TR 14396) Injection Cooling	
	Turbo 4 cyl./4250 cm ³ 121 HP/90 kW 470 Nm direct water	
	Transmission Gearbox Number of gears (forward/reverse) Max. travel speed	
	hydrostatic - 2/2 28 kph*	torque converter Powershuttle 4/4 33 kph*
	Hydraulics Piston pump Control valve	
	150 l/min - 270 bar electronically controlled variable cubic capacity DDIC	
	Capacities Hydraulic oil Fuel	
	131 l 135 l	
	Unladen weight (with forks) Width overall Height overall Length overall Turning radius (outer wheels) Ground clearance Drawbar pull Noise at driving position (LpA) Environmental noise (LwA) Vibration to whole hand/arm	
	8870 kg 8816 kg 2.42 m 2.58 m 5.22 m 4.16 m 0.45 m up to 10355 daN 80 dB 106 dB < 2.5 m/s ²	

Maximum height reach: 1.46 m

As per standard EN 1459 annex B



mm					
A	1200	D2	4410	I	1050
B	2770	E	4410	J	950
C	1409	F	6429	K	1260
C1	1487	F1	1950	L	50
D	5229	G	455	N	1865/1915
D1	5307	G1	450	O	125
		G2	455	P2	43.5°
				P3	40°
				R	3930
				S	8159
				T	3703
				U1	2580
				U2	2760
				V	5173
				V1	1470
				V2	4165
				W	2420
				Y	12°
				Z	130°

This brochure describes versions and configuration options for Manitou products which may be fitted with different equipment. The equipment described in this brochure may be standard, optional or not available depending on version. Manitou reserves the right to change the specifications shown and described at any time and without prior warning. The manufacturer is not liable for the specifications given. For more information, contact your Manitou dealer. Non-contractual document. Product descriptions may differ from actual products. List of specifications is not comprehensive. The logos and visual identity of the company are the property of Manitou and may not be used without authorisation. All rights reserved. The photos and diagrams contained in this brochure are provided for information only.

MANITOU BF SA - Limited company with board of directors - Share capital: 39,547,824 euros - 857 802 508 RCS Nantes

