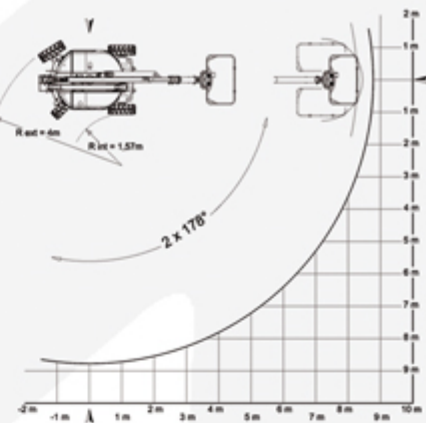
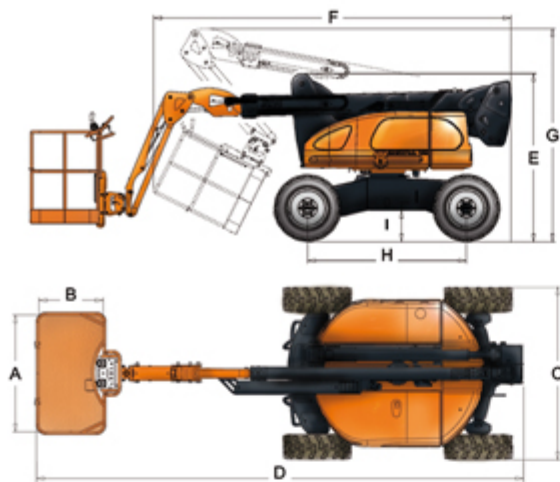


ATN

ZEBRA 12

Articulating boom ZEBRA 12





ZEBRA 12

ADVANTAGES OF ZEBRA 12

- Outstanding horizontal reach.
- High ground clearance.
- High drive speed.
- Proportional intuitive drive and lift controls.
- Easy to maintain (on-board diagnostic screen system).
- Designed and manufactured for heavy-duty use.

STANDARD FEATURES

- 4 wheel drive.
- Overload sensor.
- Lifting facilities.
- On-board LCD colour diagnostic screen system.

OPTIONS

- 220V AC power to platform.
- Air line to platform.
- 2,5 KW generator.
- Cold weather start kit.
- Flashing light.
- Motion alarm.
- Motion stop when exceeding allowed tilt >4°
- Special paint colour(s).

CE This product complies with European regulations in force (EN 280). Due to our constant improvement policy, ATN reserves the right to make any modifications without any prior notice.

		ZEBRA 12
	Working height	12,20 M (40 ft. 0,3 in.)
	Platform height	10,20 M (33 ft. 5,5 in.)
	Horizontal reach	8,50 M (27 ft. 10,6 in.)
	Up and over clearance	4,42 M (14 ft. 6 in.)
	Lift capacity	230 Kg (507 lbs.)
	Turntable rotation	2x178 °
	Platform rotation	2x90 °
	Turntable tailswing	0
	Jib rotation	133 °
A	Platform width	1,45 M (4 ft. 9 in.)
B	Platform length	0,80 M (2 ft. 7,5 in.)
C	Width	1,94 M (6 ft. 4,4 in.)
D	Length- stowed	6,05 M (19 ft. 10 in.)
E	Height - stowed	2,11 M (6 ft. 11 in.)
F	Length - storage	4,50 M (14 ft. 9 in.)
G	Height - storage	2,68 M (8 ft. 9,5 in.)
H	Wheelbase	2,00 M (6 ft. 6,7 in.)
I	Ground clearance centre	0,39 M (1 ft. 3 in.)
	Turning radius - inside	1,57 M (5 ft. 1,8 in.)
	Turning radius - outside	4,00 M (13 ft. 1,5 in.)
	Tyres	33x12x20
	Drive speed - stowed	6 Km/h (3,73 Mph)
	Drive speed - raised	1 Km/h (0,62 Mph)
	Gradeability - stowed	40 %
	Maximum tilt value	4 °
	Diesel engine	KUBOTA
	Fuel tank capacity	54 L (14,3 gal.)
	Hydraulic tank capacity	60 L (15,8 gal.)
	Weight	5150 Kg (11,353 lbs.)
	Max.ground bearing pressure	9,9 Kg/cm ² (43 psi / in. ²)
	Auxiliary power unit	12 V DC



Rue André Thevet,
Z.I.Guillaume Mon Amy Fauillet 47400 FRANCE
+33 (0) 553 798 320 +33 (0) 553 880 107
<http://www.atnplatforms.com>

