

780

Wheel Loaders 1.0 - 1.5 m³



The elite among wheel loaders

The wheel loaders of the 80-series by Kramer set high standards in terms of technology, performance and comfort. Other plus points are versatility in use, optimal power to weight ratio and exceptional performance statistics.

- One-piece frame and all-wheel steering
- Hydraulic quick coupler system and parallel-controlled loading system
- Particularly spacious panoramic cab with the highest level of operator comfort
- Efficient drive and low operating costs
- Variety of options for a large range of uses

780

 Wheel Loaders 1.0 - 1.5 m³
Technical specifications

Operating data

Bucket capacity (standard bucket)	1,15 m ³
Operating weight	6.100 kg

Engine / Motor

Engine / Motor manufacturer	Deutz
Engine performance	55 kW

Power transmission

Travel speed	20 km/h
Travel speed (optional)	35 km/h
Differential lock	100% connectable
Standard tires	405/70-24

Steering and operating hydraulics

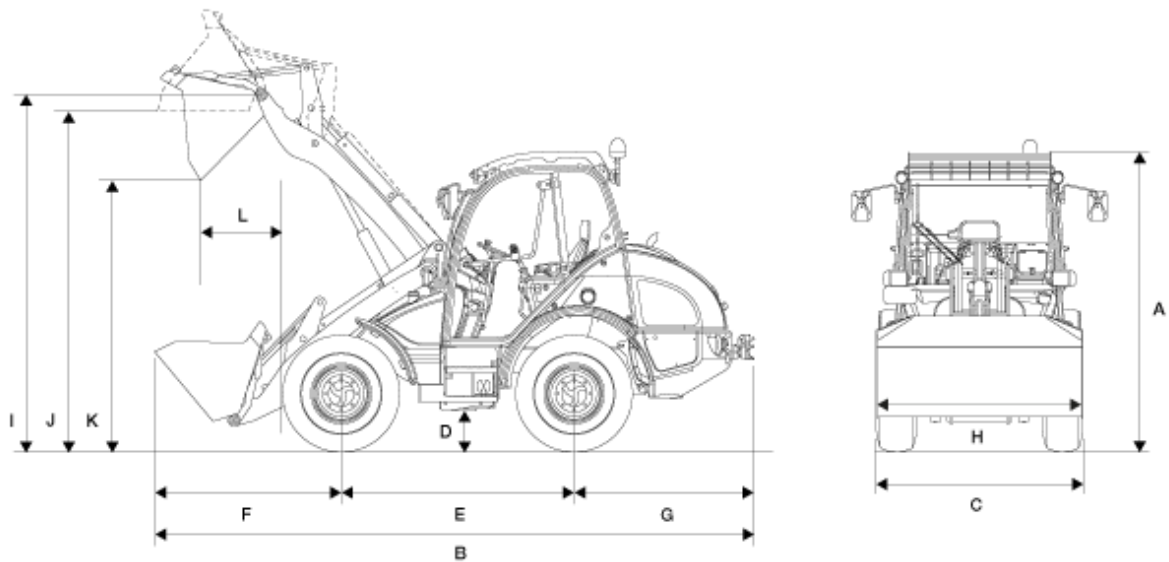
Flow rate (pump)	84 l/min
Pressure (maximum)	240 bar
Flow rate (optional)	120 l/min

Kinematics

Tipping load (with bucket)	4.300 kg
Payload (S=1.25)	2.900 kg

Additional technical data is available in the detailed brochure in the informational material section

Dimensions



A	Height	2.680 mm
B	Length	5.800 mm
C	Width	1.970 mm
D	Ground clearance	390 mm
E	Wheelbase	2.150 mm
F	Center of front axle to tip of teeth	2.030 mm
G	Center of rear axle to end of vehicle	1.620 mm
H	Bucket width	2.150 mm
I	Bucket pivot point	3.450 mm
J	Overhead loading height	3.200 mm
K	Dumping height	2.650 mm
L	Dump reach	660 mm
	Stack height	3.200 mm

Turning radius (over tyres)

2.950 mm

Information on suitable accessories can be found on our website.

The right to make changes is reserved in the interests of ongoing further developments. You can find more information on the engine power in the operator's manual. The actual power output figures may vary due to specific operating conditions.

Information on suitable accessories can be found on our website. More detailed information on engine power can be found in the operator's manual; the stated power may vary due to specific operating conditions. Subject to alterations and errors excepted. Applicable also to illustrations. Copyright © 2014 Kramer-Werke GmbH.