



WL 25

Wheel Loaders: bucket capacity < 0.65 m³



The loader for more flexibility

In confined spaces you need one thing above all: great flexibility. With its choice of three different driver's platforms, the Wacker Neuson WL 25 gives you exactly that. You can choose either a fixed or a folding driver's canopy, or a cab. That way the machine can be individually adapted to the working process.

- Extreme agility, small clearance width and high operator comfort
- Hydrostatic four-wheel drive and articulated steering
- The tilting driver's cab provides optimum service access
- Choice of three different driver's platforms: Fixed or folding driver's canopy, and cab.
- Wide range of attachments



Technical specifications

	Canopy	Cabin
Engine / Motor		
Engine / Motor manufacturer	Perkins	Perkins
Engine / Motor type	404 D-15	404 D-15
Cylinder	4	4
Engine performance kW	24,6	24,6
at rpm maximum rpm	2.800	2.800
Displacement cm ³	1.508	1.508
Coolant type	Water	Water
Operating data and Weights		
Operating weight kg	2.380	2.520
Speed Level 1 km/h	0-7	0-7
Speed Level 2 km/h	0-20	0-20
Bucket capacity Standard bucket m ³	0,35	0,35
Lifting force maximum daN	2.473	2.473
Breakaway force maximum daN	1.989	1.989
Tipping load with bucket - machine straight kg	1.508	1.626
Tipping load with pallet fork - machine straight kg	1.150	1.249
Tipping load with bucket - machine at angle kg	1.239	1.339
Tipping load with pallet fork - machine at angle kg	945	1.021
Tipping load with bucket - machine at angle (40°) kg	1.284	1.388
Tipping load with pallet fork - machine at angle (40°) kg	979	1.058
Hydraulic system		
Driving hydraulics - operating pressure bar	450	450
Driving hydraulics - discharge capacity l/min	78	78
Operating hydraulics - operating pressure bar	185	185
Operating hydraulics - discharge capacity l/min	45	45
Filling capacities		
Tank capacity (fuel) l	45	45
Engine oil l	4,5	4,5
Hydraulic oil tank l	27	27
Hydraulic system l	36	36
Coolant l	7,5	7,5

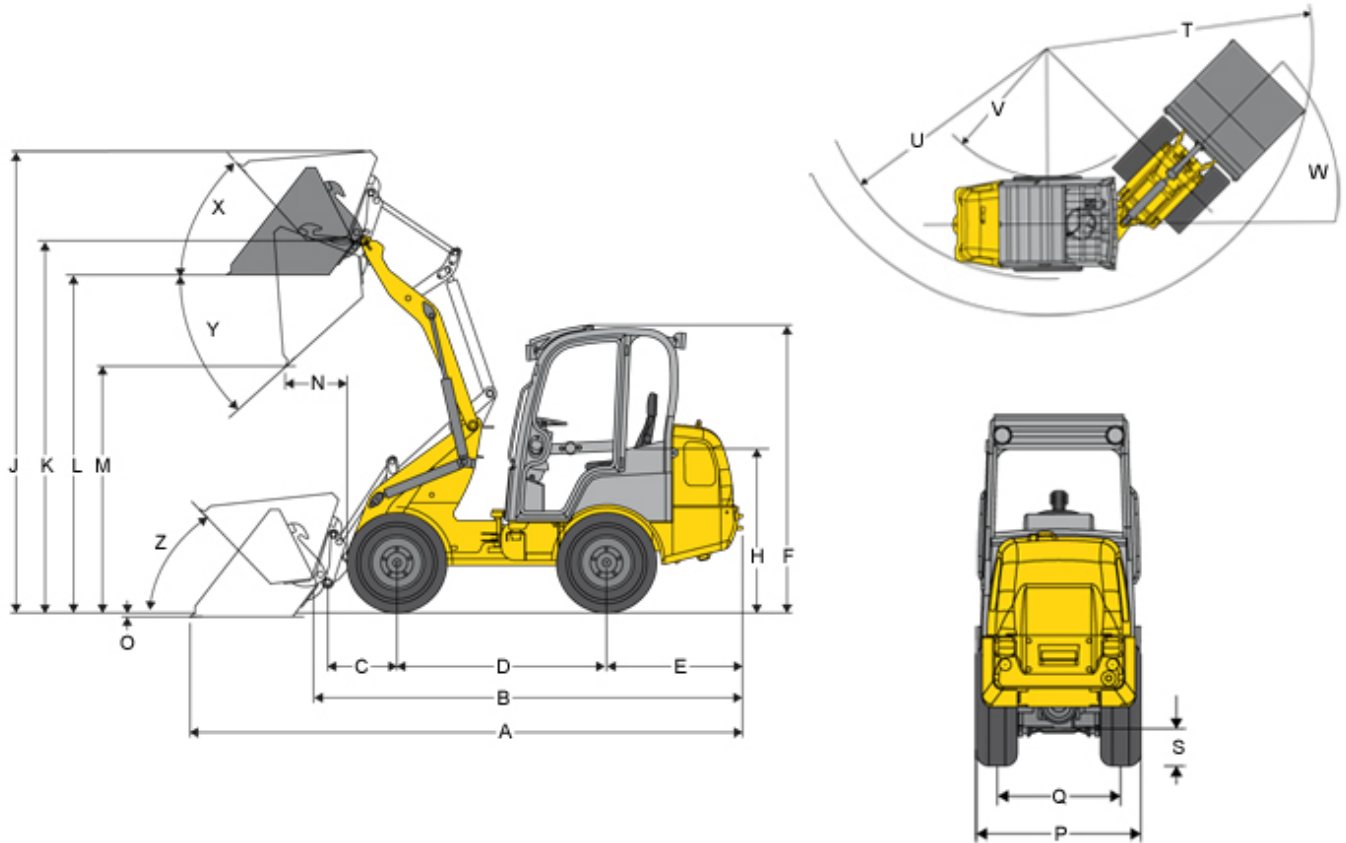


	Canopy	Cabin
Front axle l	2,5	2,5
Rear axle l	3,5	3,5
Electrical system		
Operating voltage V	12	12
Battery Ah	77	77
Alternator A	65	65
Sound level		
Cabin - specified sound pressure level LpA dB(A)	82	82
Sound level (LwA) dB(A)	101	101

Standard bucket = digging bucket, width 1250 mm



Dimensions



A	Overall length	4.087 mm
B	Overall length without bucket	3.302 mm
C	Bucket pivot point to axle center	532 mm
D	Wheelbase	1.612 mm
E	Rear overhang	1.045 mm
F	Height with driver's canopy	2.187 mm
F	Height with folding driver's canopy	2.291 mm
F	Height with folding driver's canopy, folded	1.877 mm
F	Height with cab	2.208 mm
H	Seat height	1.259 mm
J	Total operating height	3.582 mm
K	Bucket pivot point max. stroke height	2.862 mm
L	Overhead loading height	2.573 mm



M	Dumping height	2.047 mm
N	Range at M	337 mm
O	Scraping depth	50 mm
P	Overall width	1.210 mm
Q	Track width	940 mm
S	Ground clearance	250 mm
T	Radius maximum	2.912 mm
U	Radius at outer edge	2.590 mm
V	Inside turning radius	1.330 mm
W	Articulation angle	45 °
X	Reverse roll angle at max.stroke height	48 °
Y	Tip-out angle maximum	42 °
Z	Reverse roll angle at ground level	46 °

All values with standard bucket and standard tires

Please note

that product availability can vary from country to country. It is possible that information / products may not be available in your country. More detailed information on engine power can be found in the operator's manual; the stated power may vary due to specific operating conditions.

Subject to alterations and errors excepted. Applicable also to illustrations.

Copyright © 2014 Wacker Neuson SE.