



WL 54

Wheel Loaders: bucket capacity 0.7-1.8 m³



Just right if you prefer power: WL54

The powerful wheel loader WL54 convinces through high economic efficiency and power on the job site. It maneuvers quickly and in a time-saving manner with a first-class work performance. The WL54 achieves this through its large lifting and biting forces, a high stability as well as the up to 100% differential lock. And all of this at a convincing price-performance ratio.

- 0.95 m³ shovel capacity
- Superior view of the transported goods, thanks to the conically tapered load arm
- Short maintenance times due to practically arranged service accesses in the cabin
- Equipped with a spacious cabin as a standard
- Extremely maneuverable thanks to the articulated pendulum joint



Technical specifications

Engine / Motor

Engine / Motor manufacturer	Deutz
Engine / Motor type	TD2011 L04w
Cylinder	4
Engine performance	55,1 kW
at rpm maximum	2.300 rpm
Displacement	3.619 cm ³
Coolant type	Water

Electrical system

Operating voltage	12 V
Battery	95 Ah
Alternator	95 A

Weights

Operating weight	5.230 kg
Lifting force maximum	5.954 daN
Breakaway force maximum	3.513 daN
Tipping load with bucket—equipment straight	3.002 kg
Tipping load with pallet fork—equipment straight	2.710 kg

Vehicle data

Bucket capacity Standard bucket	0,95 m ³
Speed Stage 1:	0-7 km/h
Speed Stage 2:	0-20 km/h

Hydraulic system

Driving hydraulics - operating pressure	445 bar
Operating hydraulics - operating pressure	210 bar
Operating hydraulics - discharge capacity	103 l/min



Filling capacities

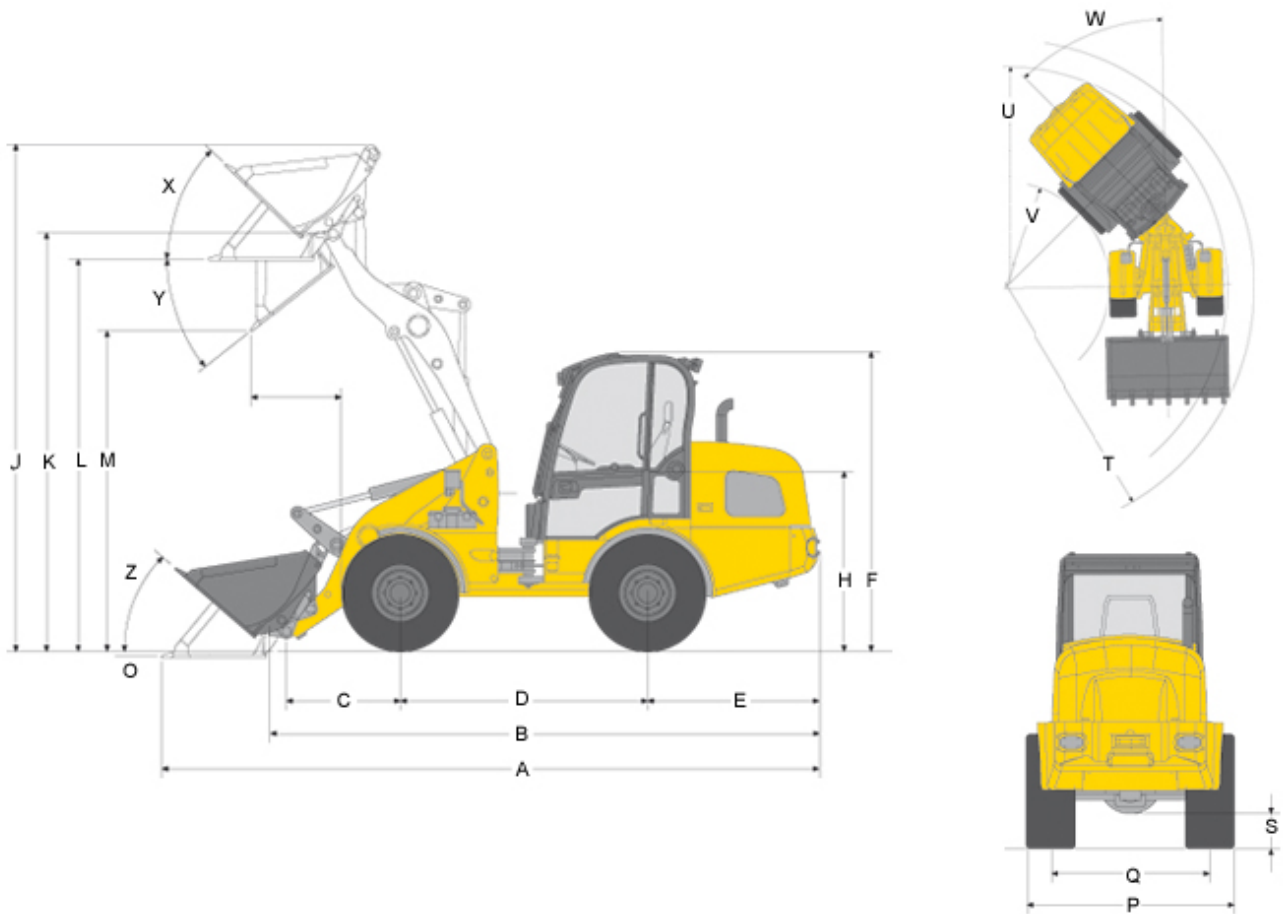
Tank capacity (fuel)	90 l
Engine oil	10,5 l
Hydraulic oil tank	80 l
Hydraulic system	100 l
Coolant	10 l
Front axle	5,2 l
Rear axle	6,1 l

Sound level

Cabin - specified sound pressure level LpA	75 dB(A)
Sound level (LwA)	101 dB(A)

Standard bucket = digging bucket, 2,000 mm width

Dimensions



A	Overall length	5.968 mm
B	Overall length without bucket	4.825 mm
C	Bucket pivot point to middle of axle	990 mm
D	Wheelbase	2.150 mm
E	Rear overhang	1.520 mm
F	Height with driver's canopy	2.462 mm
	Height with cabin	2.499 mm
H	Seat height	1.341 mm
J	Total operating height	4.385 mm
K	Bucket pivot point max. lift height	3.612 mm
L	Overhead loading height	3.248 mm
M	Dumping height	2.570 mm
N	Range at M	963 mm



O	Scraping depth	210 mm
P	Overall width	1.752 mm
Q	Track width	1.427 mm
S	Ground clearance	315 mm
T	Radius maximum	4.213 mm
U	Radius at radius on outer wheel	3.572 mm
V	Inside turning radius	1.688 mm
W	Articulation angle	44 °
X	Reverse roll angle at max. lift height	49 °
Y	Tip-out angle maximum	35 °
Z	Reverse roll angle at ground	45 °

Please note

that product availability can vary from country to country. It is possible that information / products may not be available in your country. More detailed information on engine power can be found in the operator's manual; the stated power may vary due to specific operating conditions.

Subject to alterations and errors excepted. Applicable also to illustrations.

Copyright © 2015 Wacker Neuson SE.