

850

Wheel Loaders 0.7 - 0.95 m³



The particularly economic class of wheel loaders

Compact and manoeuvrable wheel loaders for a variety of applications. With an optimised power to weight ratio, low shipping weight and continuous high payload, the efficiency of this model series is of great benefit to end users.

- One-piece frame and all-wheel steering
- Hydraulic quick coupler system and parallel-controlled loading system
- Spacious cabin with perfect all-round visibility
- Efficient drive and low operating costs

850

Wheel Loaders 0.7 - 0.95 m³

Technical specifications

Operating data

Bucket capacity (standard bucket)	0,85 m ³
Operating weight	4.500 kg

Engine / Motor

Engine / Motor manufacturer	Deutz
Engine performance	45 kW

Power transmission

Travel speed	20 km/h
Travel speed (optional)	30 km/h
Differential lock	Self-locking differential
Standard tires	12.5-20

Steering and operating hydraulics

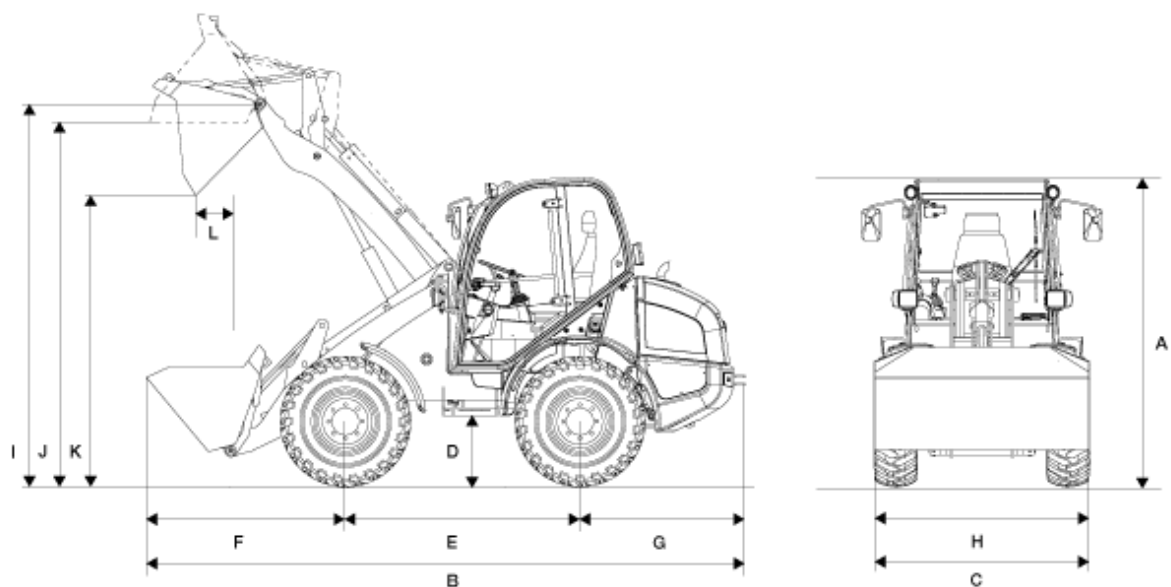
Flow rate (pump)	71 l/min
Pressure (maximum)	210 bar

Kinematics

Tipping load (with bucket)	3.200 kg
Payload (S=1.25)	2.000 kg

Additional technical data is available in the detailed brochure in the informational material section

Dimensions



A	Height	2.510 mm
B	Length	5.040 mm
C	Width	1.720 mm
D	Ground clearance	300 mm
E	Wheelbase	1.920 mm
F	Center of front axle to tip of teeth	1.770 mm
G	Center of rear axle to end of vehicle	1.350 mm
H	Bucket width	1.850 mm
I	Bucket pivot point	3.250 mm
J	Overhead loading height	3.100 mm
K	Dumping height	2.500 mm
L	Dump reach	660 mm
	Stack height	3.000 mm

Turning radius (over tyres)

2.550 mm

Information on suitable accessories can be found on our website.

The right to make changes is reserved in the interests of ongoing further developments. You can find more information on the engine power in the operator's manual. The actual power output figures may vary due to specific operating conditions.

Information on suitable accessories can be found on our website. More detailed information on engine power can be found in the operator's manual; the stated power may vary due to specific operating conditions. Subject to alterations and errors excepted. Applicable also to illustrations. Copyright © 2014 Kramer-Werke GmbH.