

HY-BRID LIFTS™

BY CUSTOM EQUIPMENT INC

PARTS MANUAL

SELF-PROPELLED AERIAL WORK PLATFORM

SUPO-718

REV A



HB-1230CE

SERIES III

Model HB-1230CE Serial #Ranges:
E08-30000-E08-39999

FOREWORD

Original instructions written in English.

This parts manual is applicable to the following machines:

Model HB-1230CE Serial #Ranges:
E08-30000-E08-39999

To read the serial number plate, open the lower control panel. The serial number is located on the chassis behind the controls. An additional reference is on the platform below the manual box.

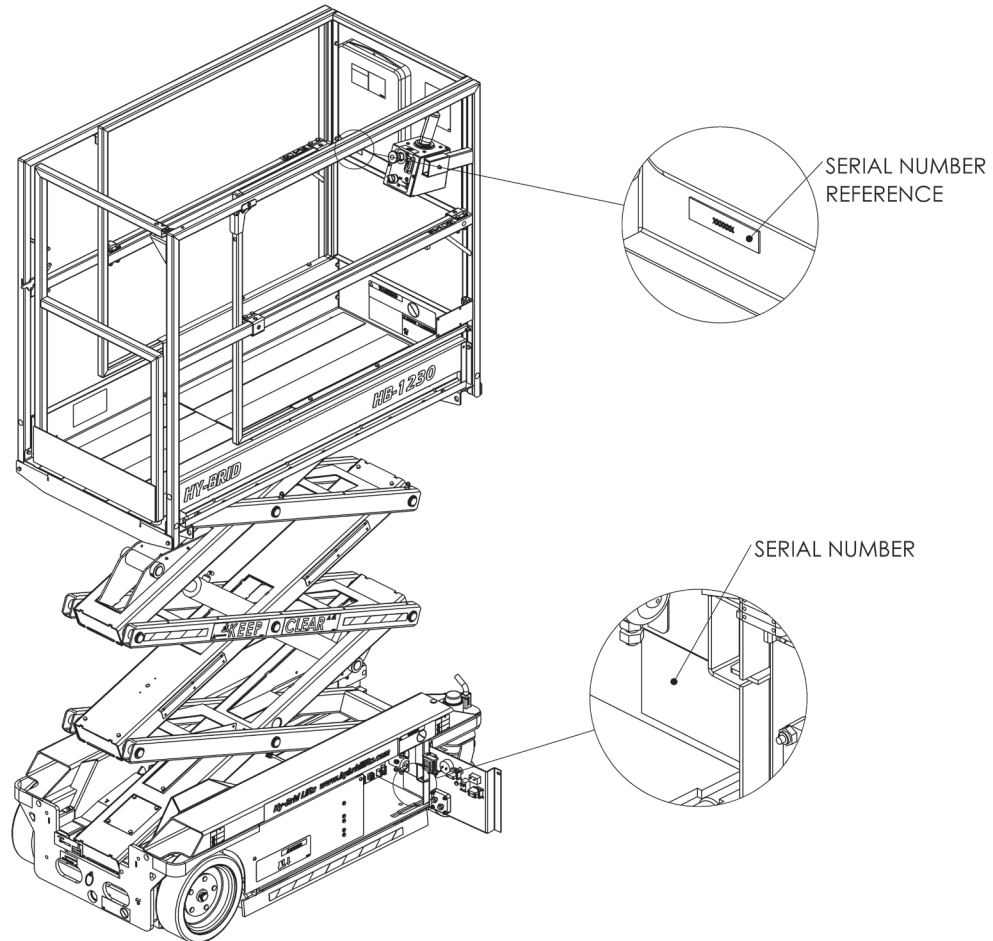


TABLE OF CONTENTS

NOTES	2
FOREWORD	3
TABLE OF CONTENTS	4
INDEX OF FIGURES	5
SECTION 1 BASE	6
1.1 POTHOLE GUARD PARTS.....	6
1.2 CASTER PARTS	7
1.3 CASTER SUBPARTS	8
1.4 REAR WHEEL SUBPARTS.....	8
1.5 DRIVE PARTS.....	9
1.6 DRIVE SUBPARTS	10
1.7 BRAKE SUBPARTS	10
1.8 PUMP PARTS.....	11
1.9 PUMP SUBPARTS	12
1.10 MISCELLANEOUS BASE PARTS	13
SECTION 2 CONTROLS	14
2.1 CONTROLS/ELECTRICAL PARTS	14
2.2 MAIN CABLE SUBPARTS.....	16
2.3 UPPER CONTROL PARTS.....	17
2.4 LOWER CONTROL PARTS	18
2.5 MASTER POWER SWITCH SUBPARTS	19
2.6 KEY SWITCH SUBPARTS	19
2.7 E-STOP SWITCH SUBPARTS	20
2.8 SELECTOR SWITCH SUBPARTS	20
2.9 HORN BUTTON SUBPARTS.....	21
SECTION 3 SCISSORS	22
3.1 HB-1230 SCISSORS.....	22
3.2 HB-1230 CYLINDER SUBPARTS.....	24
SECTION 4 PLATFORM & RAILS	26
4.1 PLATFORM & RAILS.....	26
SECTION 5 DECALS	28
5.1 HB-1230 DECALS.....	28
SECTION 6 OPTIONS & MISCELLANEOUS	30
6.1 HB-1230 OPTIONS & MISCELLANEOUS PARTS.....	30

INDEX OF FIGURES

FIGURE 1: HB-1230 Pothole Guard Parts.....	6
FIGURE 2: HB-1230 Caster Parts.....	7
FIGURE 3: 129-21-215-50-K Caster Subparts.....	8
FIGURE 4: HB-1230 Rear Wheel Subparts.....	8
FIGURE 5: HB-1230 Drive Parts.....	9
FIGURE 6: HB-1230 Drive Subparts.....	10
FIGURE 7: HB-1230 Brake Subparts.....	10
FIGURE 8: HB-1230 Pump Parts.....	11
FIGURE 9: HYDR-050-9E Pump Subparts.....	12
FIGURE 10: HB-1230 Misc Parts.....	13
FIGURE 11: HB-1230 Controls/Electrical Parts.....	14
FIGURE 12: HB-1230 Main Cable Subparts.....	16
FIGURE 13: HB-1230 Upper Control Parts.....	17
FIGURE 14: HB-1230 Lower Control Parts.....	18
FIGURE 15: HB-1230 Master Power Switch Subparts.....	19
FIGURE 16: HB-1230 Key Switch Subparts.....	19
FIGURE 17: HB-1230 E-Stop Switch Subparts.....	20
FIGURE 18: HB-1230 Selector Switch Subparts.....	20
FIGURE 19: Horn Button Subparts.....	21
FIGURE 20: HB-1230 Scissors.....	22
FIGURE 21: HB-1230 Cylinder Subparts.....	24
FIGURE 22: Platform And Rails.....	26
FIGURE 23: HB-1230 Decal Parts.....	28
FIGURE 24: HB-1230 Options & Misc Parts.....	30

SECTION 1 | BASE

1.1 | POTHOLE GUARD PARTS

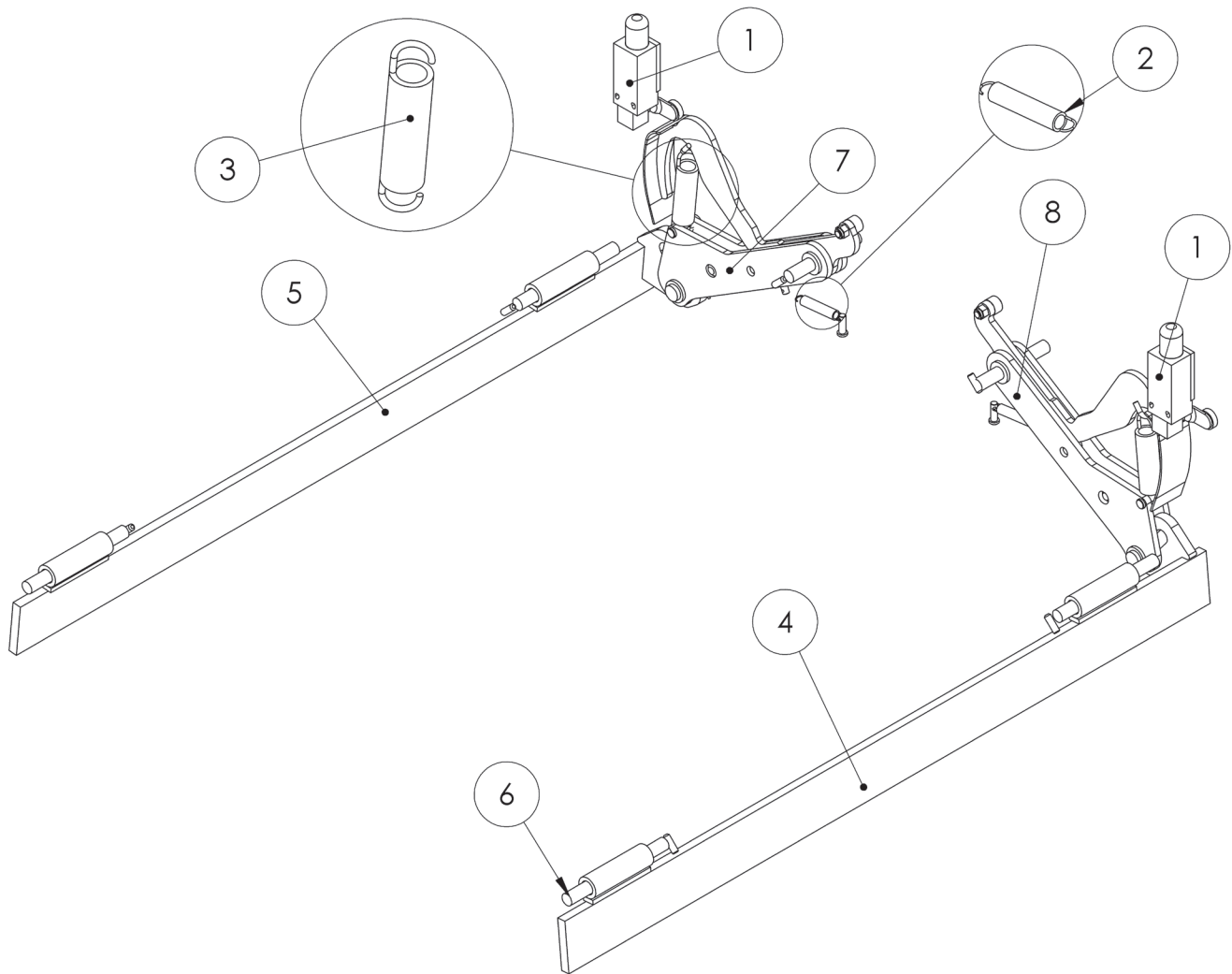


FIGURE 1: HB-1230 Pothole Guard Parts

Item #	Part Number	Part Description	Notes	Qty	Superseded By
1	ELEC-123-5	SWITCH,LIMIT,ROT LVR,NO/NC PO		2	
2	HARD-696	SPRING,EXT 2.25 X 0.38		2	
3	HARD-804	SPRING, EXT 4.0 X .81		2	
4	129-01-254-01	BASE,PH BAR L (HBMD)		1	
5	129-01-255-01	BASE,PH BAR R (HBMD)		1	
6	RND-HB-002-P	PIN,HINGE,0.50,5.0		4	
7	129-01-263-14-K	ASM,BASE PH ARM,L		1	
8	129-21-263-09-K	ASM,BASE PH ARM,R		1	

1.2 | CASTER PARTS

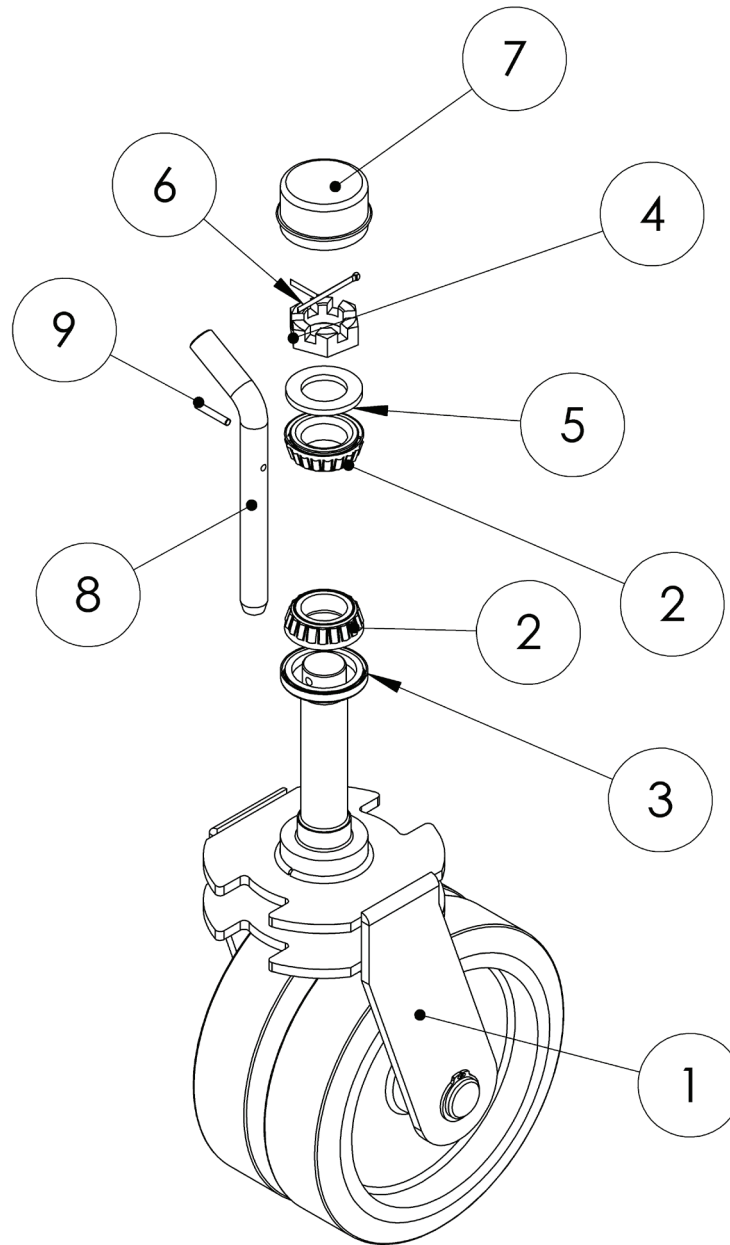


FIGURE 2: HB-1230 Caster Parts

Item #	Part Number	Part Description	Notes	Qty	Superseded By
1	129-21-215-50-K	ASM,CASTER		1	
2	WHEE-718	BEARING		2	
3	WHEE-717	SEAL		1	
4	WHEE-719	1-14 HEX SLOTTED AXLE NUT		1	
5	WHEE-716	WASHER,1.06IDX1.75ODX.155THK		1	
6	HARD-725	COTTER PIN, 3/16 X 2		1	
7	WHEE-714-100	HUB,COVER		1	
8	129-01-101-05	HITCH PIN,5/8 X 5		2	
9	129-01-102-03	COILED SPRING PIN, 5/32,1 L		2	

1.3 | CASTER SUBPARTS

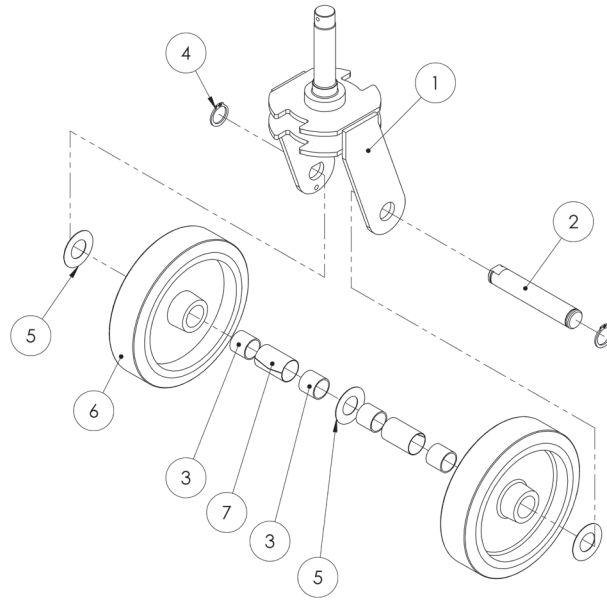


FIGURE 3: 129-21-215-50-K Caster Subparts

Item #	Part Number	Part Description	Notes	Qty	Superseded By
1	129-01-260-01	BASE,CASTER WLDMNT		1	
2	129-06-023-02	BASE,CASTER PIN		1	
3	HARD-001-2	DU BEARING,1.0 ID X 1.0 L		4	
4	HARD-021	RET RING 1.0		2	
5	WHEE-609-SS	WASHER, 1.015ID,2OD,.03 THK SS		3	
6	WHEE-706-KIT	WHL,8X2,GREY NM RUBBER		2	
7	WHEE-708	WHL, RACEWAY SPLIT 2.0		2	

1.4 | REAR WHEEL SUBPARTS

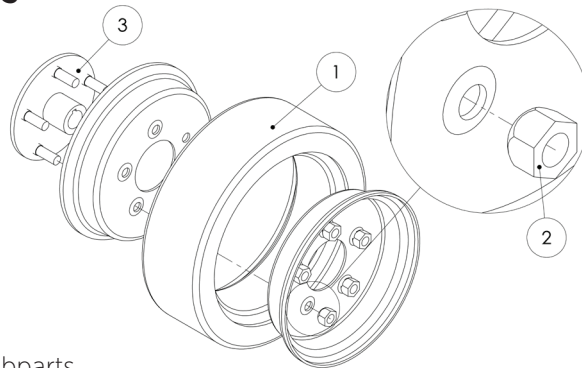


FIGURE 4: HB-1230 Rear Wheel Subparts

Item #	Part Number	Part Description	Notes	Qty	Superseded By
1	WHEE-617	WHL,12X4,NM RUBBER		1	
2	WHEE-721	WHL,LUG NUT 1/2-20		5	
3	WHEE-730-02	HUB,KEYWAY 1.0,2.0		1	

1.5 | DRIVE PARTS

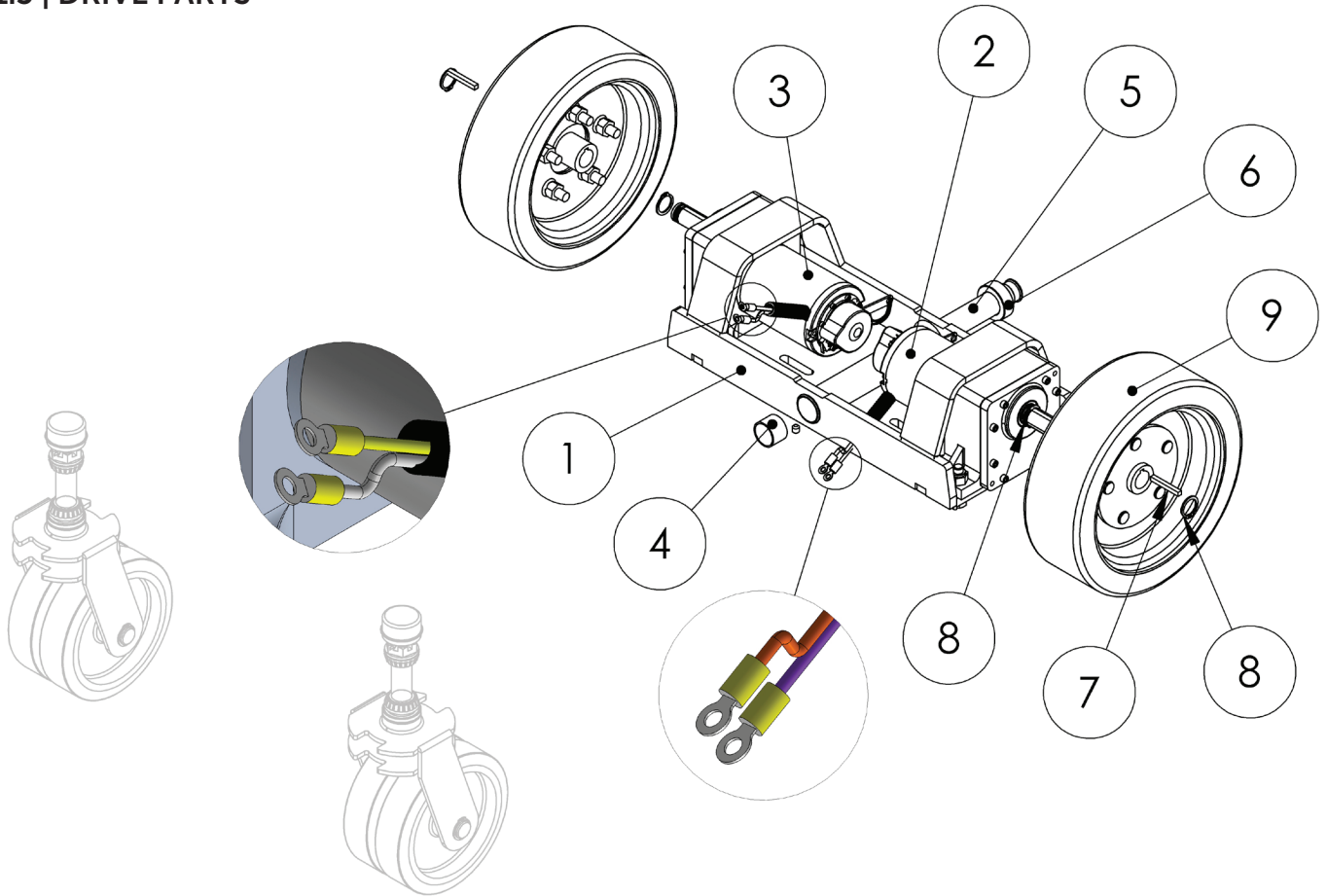


FIGURE 5: HB-1230 Drive Parts

Item #	Part Number	Part Description	Notes	Qty	Superseded By
1	129-01-381-02	BASE, REAR PIVOT		1	
2	ELEC-758-L-KIT	DRIVE MOTOR,24V ELEC,HB,DUM,L,HT	ORANGE/VIOLET LEADS	1	
3	ELEC-759-R-KIT	DRIVE MOTOR,24V ELEC,HB,DUM,R,HT	WHT-YEL/YEL LEADS	1	
4	HARD-001	DU BEARING, 1.25 ID, 1 LENGTH		2	
5	129-06-305-02	PIN,DRIVE MNT,1.25,14.06		1	
6	1021000102	SET COLLAR,1.25 ID		1	
7	HARD-157	KEY,0.25 X 0.25 X 2		2	
8	HARD-021	RET RING 1.0		4	
9	WHEE-618-KIT	WHL,12X4 NM RUBBER W/HUB		2	

1.6 | DRIVE SUBPARTS

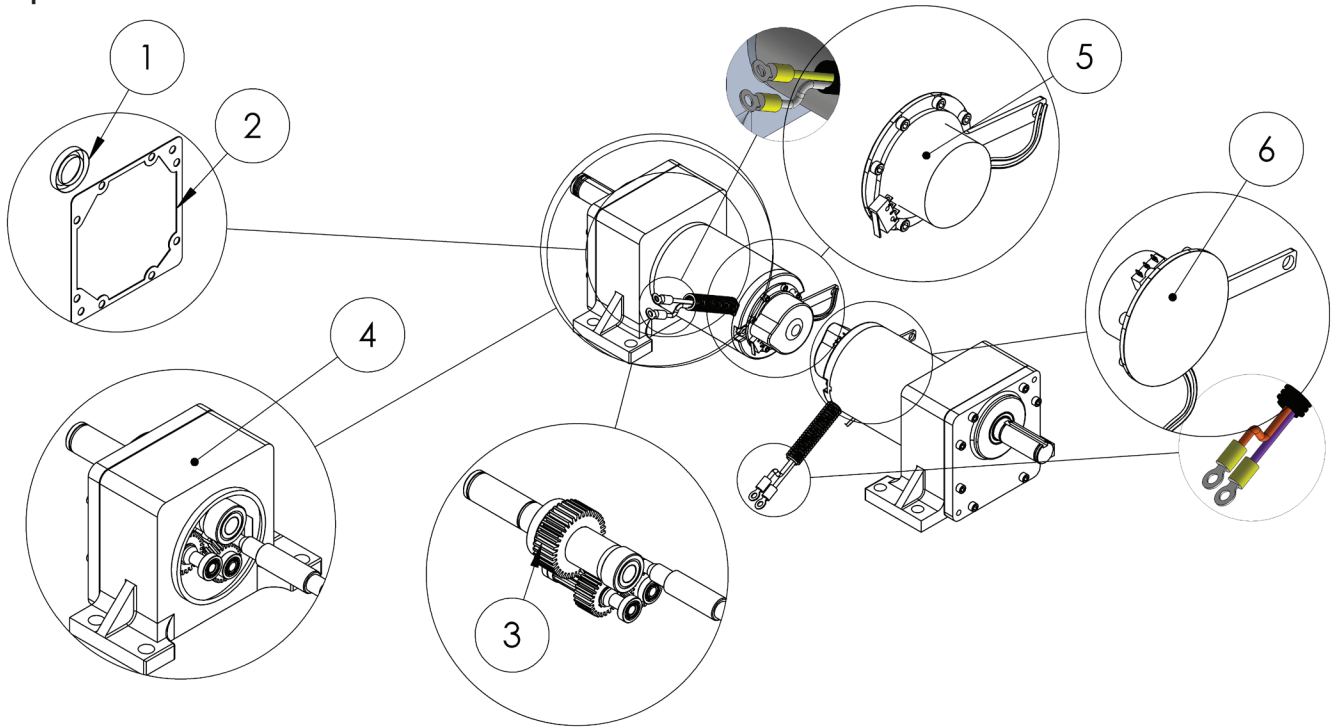


FIGURE 6: HB-1230 Drive Subparts

Item #	Part Number	Part Description	Notes	Qty	Superseded By
1	ELEC-626-4A	DRIVE MOTOR SHAFT SEAL,DUM		1	
2	ELEC-626-4B	DRIVE MOTOR HOUSING GASKET,DUM		1	
3	ELEC-758-G	DRIVE MOTOR GEARS,HB,DUM		1	
4	ELEC-758-C	DRIVE MOTOR GEARBOX,DUM HT	(NO GEARS)	1	
5	ELEC-627-5L	DRIVE MOTOR,BRAKE	RIGHT BRAKE ON HB-1230	1	
6	ELEC-627-5R	DRIVE MOTOR,BRAKE	LEFT BRAKE ON HB-1230	1	

1.7 | BRAKE SUBPARTS

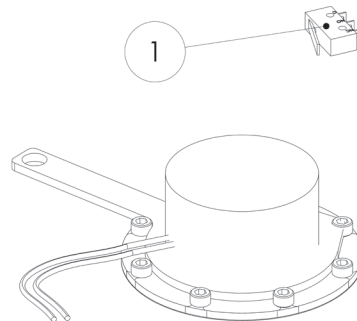


FIGURE 7: HB-1230 Brake Subparts

Item #	Part Number	Part Description	Notes	Qty	Superseded By
1	ELEC-126-7-KIT	SWITCH,LIMIT,LVR MICRO		1	

1.8 | PUMP PARTS

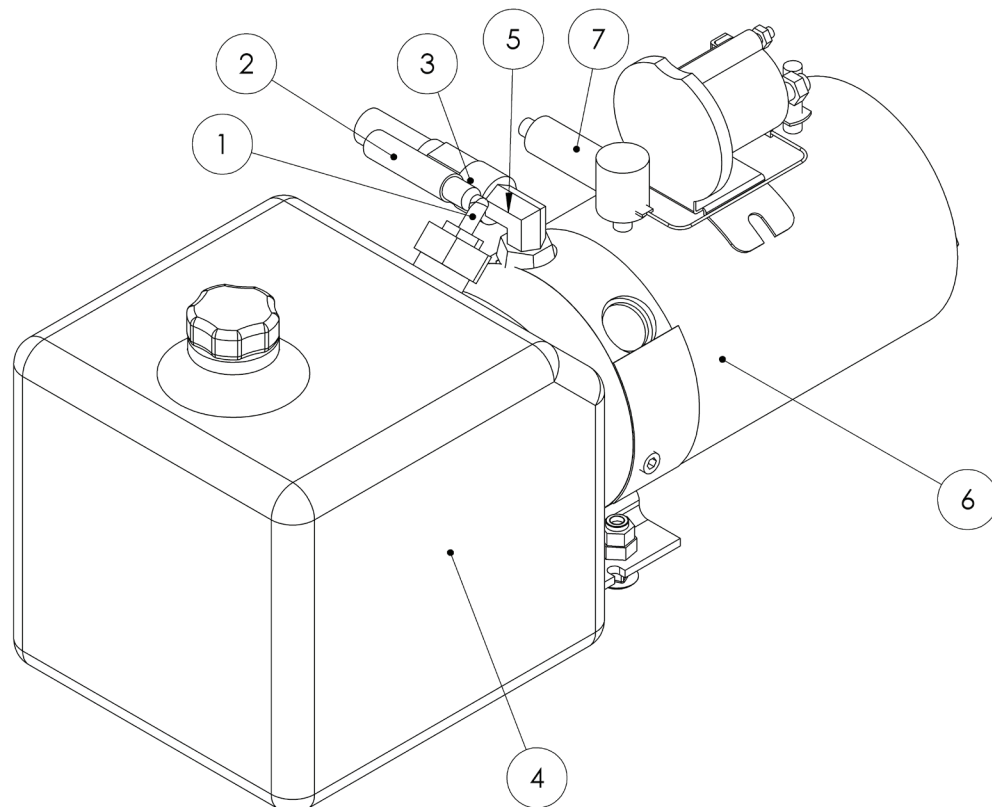


FIGURE 8: HB-1230 Pump Parts

Item #	Part Number	Part Description	Notes	Qty	Superseded By
1	HYDR-019	FITTING,ELB,NPTM 3/8-1/4 PUSH		1	
2	HYDR-022-3	LOW PRESSURE HOSE	Quantity in inches	132	
3	HYDR-600	HOSE ASM,HB-2X		1	
4	HYDR-032	HYDRAULIC OIL	Not available as a replacement part. Replace with Flomite #150, Dexron II, Mobil-DTE 2 or equivalent 32 weight implement oil.	1	
5	HYDR-677	FITNG,ELB,JICM 9/16-SAEORM #6		1	
6	HYDR-050-9E	PUMP,24VDC,0.125,0.88,NA	Entire pump	1	
7	ELEC-634D	TERMINAL BOOT (BLACK)		1	

1.9 | PUMP SUBPARTS

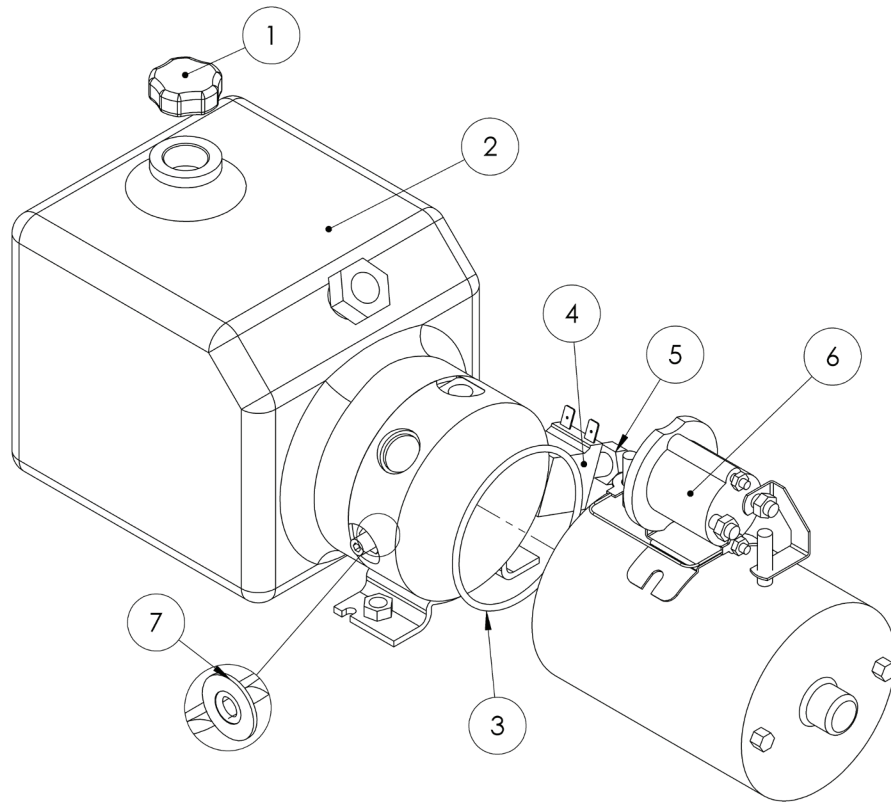


FIGURE 9: HYDR-050-9E Pump Subparts

Item #	Part Number	Part Description	Notes	Qty	Superseded By
1	HYDR-042	PUMP RESERVOIR CAP		1	
2	HYDR-067-3	PUMP RESERVOIR,0.88 GAL		1	
3	HYDR-068	PUMP RESERVOIR O-RING		1	
4	HYDR-664	COIL,18V		1	
5	HYDR-665	VALVE,NO,2W/2P,#8,UP		1	
6	HYDR-666-1	SOLENOID,24V,ISOLATED,SPST		1	
7	HYDR-667	WASH,0.38 ID,0.75 OD,PRES SEAL		1	

1.10 | MISCELLANEOUS BASE PARTS

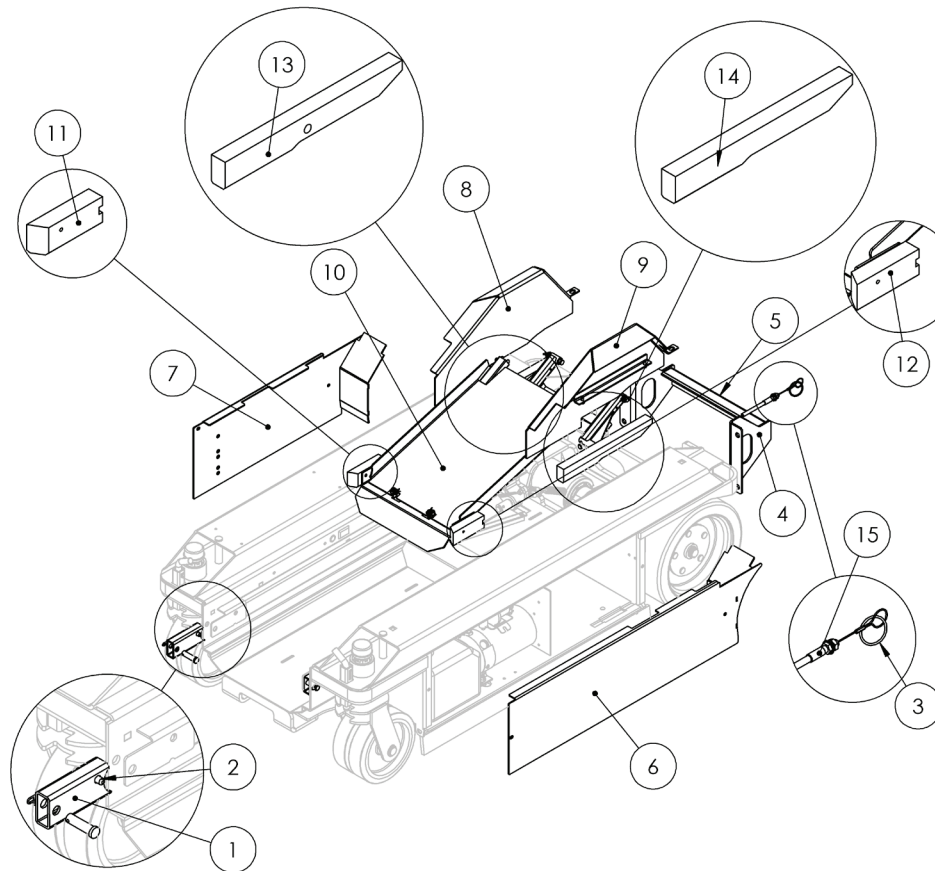


FIGURE 10: HB-1230 Misc Parts

Item #	Part Number	Part Description	Notes	Qty	Superseded By
1	129-01-232-02	BASE,SCISSORS LOCK		2	
2	HARD-067	SNAP BUTTON,0.38 SINGLE END		2	
3	HARD-651	RING,1.4 ID		1	
4	LAS-M100-E-PC	BASE,ACCESS STEP		1	
5	MISC-030-01-KIT	ANTI-SLIP TAPE,1, 13.75 LENGTH		1	
6	129-05-211-01	BASE,COVER WLDMNT L		1	
7	129-05-210-01	BASE,COVER WLDMNT R		1	
8	129-01-357-06	BASE,INSIDE COVER WLDMNT,R		1	
9	129-01-357-11	BASE,INSIDE COVER WLDMNT,L		1	
10	129-21-252-50-K	ASM,BASE,PIVOT LOCK		1	
11	129-01-344-10	BASE,BLOCK GUIDE,R		1	
12	129-01-344-15	BASE,BLOCK GUIDE,L		1	
13	129-01-385-09	BASE,LOCK, PIVOT REAR,R		1	
14	129-01-385-14	BASE,LOCK, PIVOT REAR,L		1	
15	HARD-644-11	LOW FRICTION CABLE, 120.25/129		1	

SECTION 2 | CONTROLS

2.1 | CONTROLS/ELECTRICAL PARTS

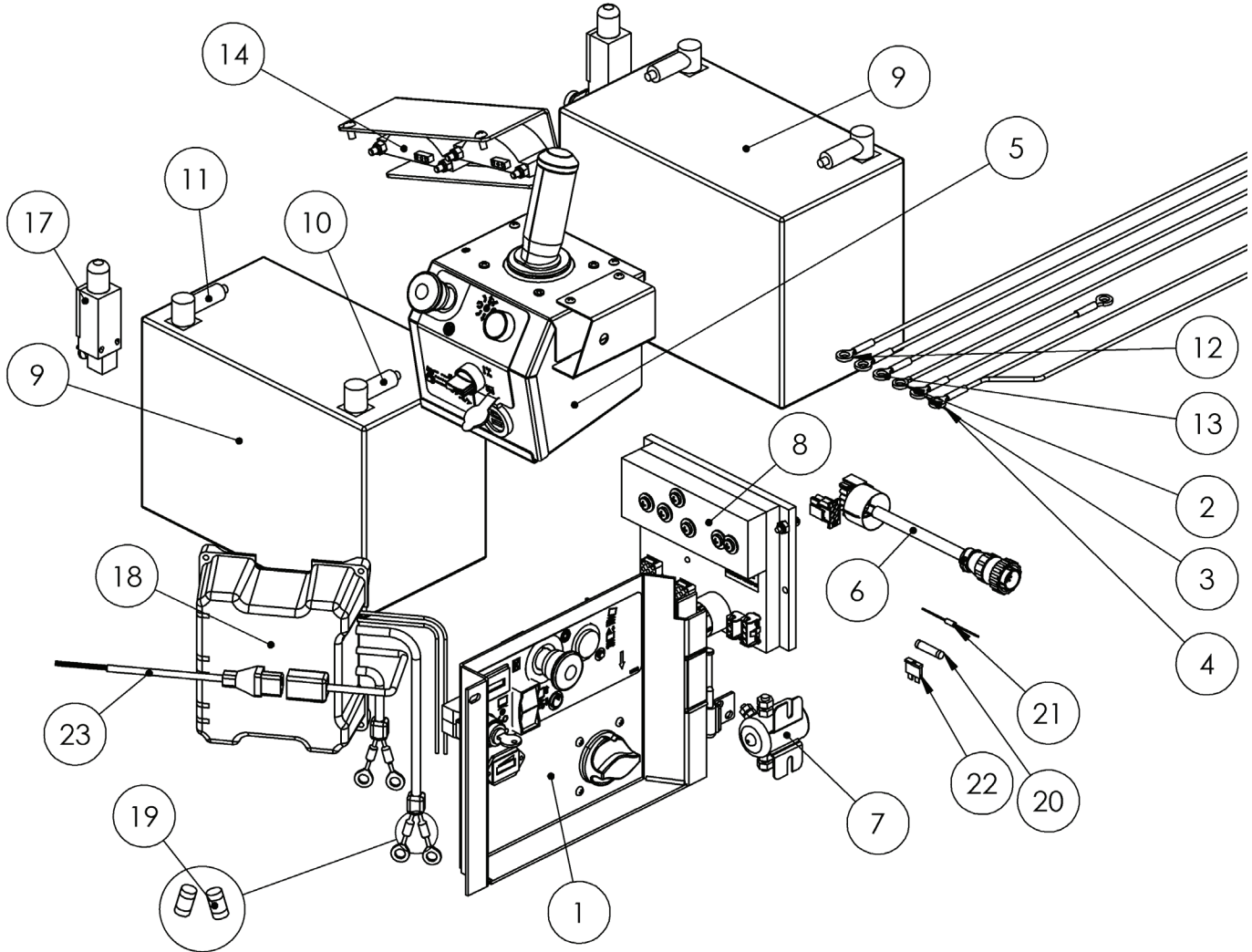


FIGURE 11: HB-1230 Controls/Electrical Parts

Item #	Part Number	Part Description	Notes	Qty	Superseded By
1	129-21-307-51	ASM,CTL LWR (HBMD S3.1)			
2	ELEC-641E	CABLE,6GA,BLACK,22.00,B/B			
3	129-01-090-50	CABLE,6GA,RED,10,R/R,.38 EYES			
4	129-01-090-51	CBL,6GA,RED,42&50,R/R,.38 EYES			
5	129-21-308-51	ASM,CTL UPR ZTR			
6	129-21-311-50	CTL,WIRE HARNESS MAIN HB-1230			
7	HYDR-666	SOLENOID,24V,ISOLATED,SPST			
8	129-21-267-51	BOARD,DRIVE/LIFT CTL HB-MID			
9	ELEC-047-5	BATTERY,12V,GR27 AGM			

10	ELEC-634D	TERMINAL BOOT (BLACK)	
11	ELEC-634C	TERMINAL COVER (RED)	
12	ELEC-641C	CABLE,6GA,RED,50,B/R	
13	ELEC-641A	CABLE,6GA,BLACK,63,B/B	
14	ELEC-647	SENSOR,ANGLE	
15	WD-129-20-316-51	WD,HB-1230CE S3	WIRING DIAGRAM
16	WS-129-20-316-51	ELEC SCH,HB-1230CE S3	ELECTRICAL SCHEMATIC
17	ELEC-123-5	SWITCH,LIMIT,ROT LVR,NO/NC PO	
18	ELEC-747	CHARGER, 24VDC	
19	ELEC-670-6	FUSE 30 AMP,PCS	
20	ELEC-670-2	FUSE 20 AMP AGC	
21	ELEC-809-2	RESISTOR 1K OHM, 1 WATT	
22	ELEC-959	FUSE, 20A ATC	
23	ELEC-639-11	CORD,IEC AC WIRE/IEC C13,36.0	

2.2 | MAIN CABLE SUBPARTS

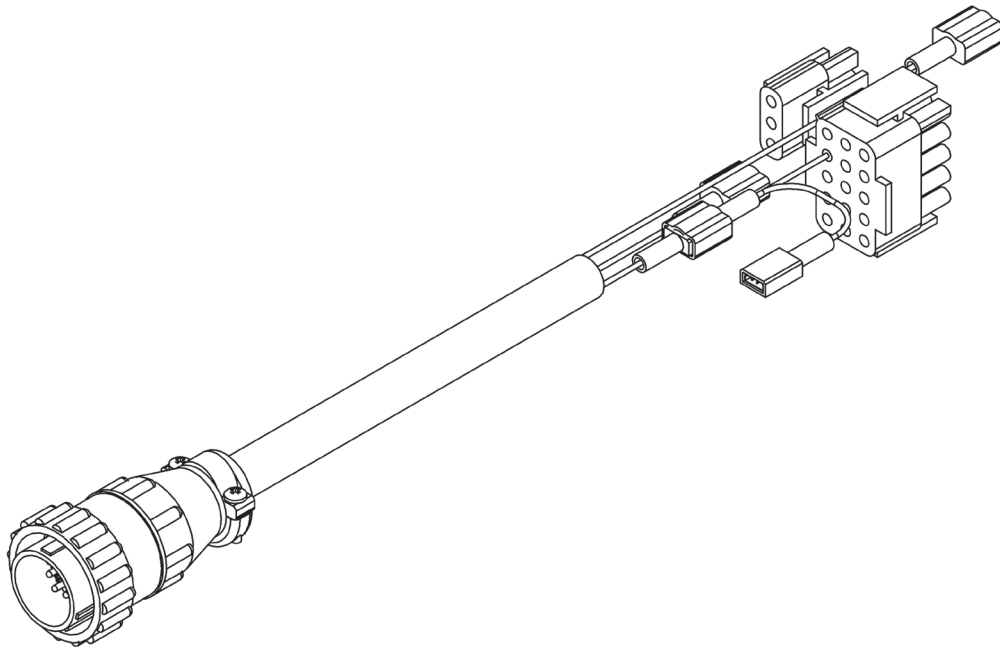
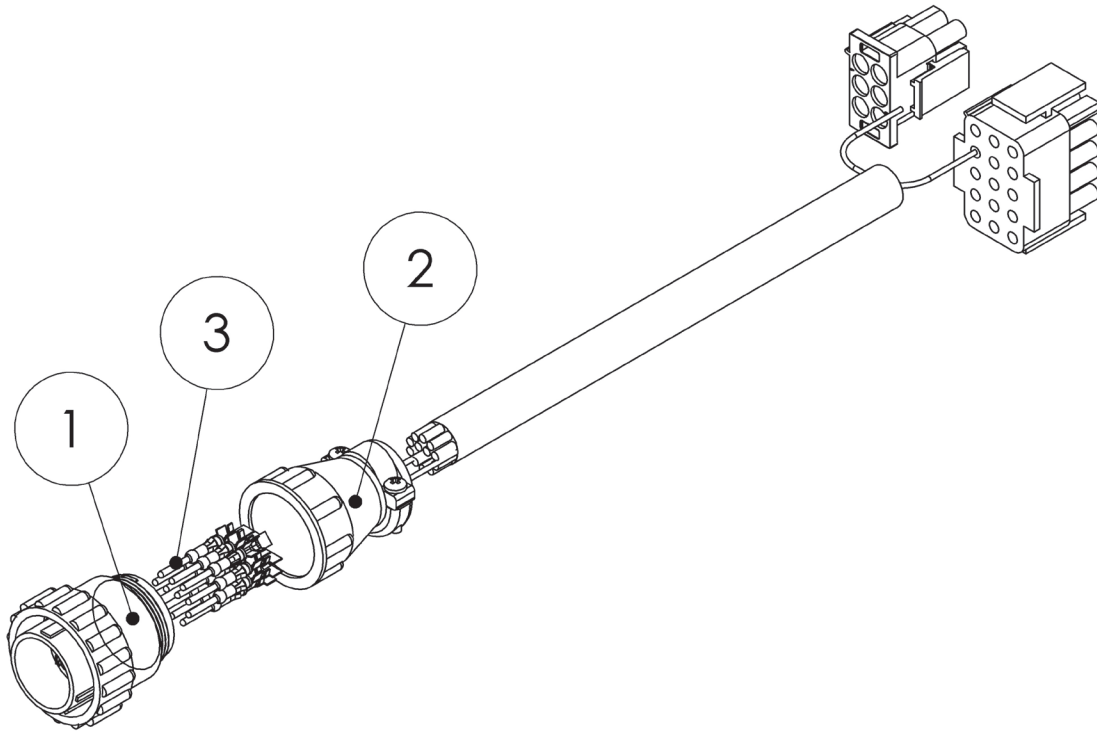


FIGURE 12: HB-1230 Main Cable Subparts

Item #	Part Number	Part Description	Notes	Qty	Superseded By
1	ELEC-749	CONN,CPC,PLUG,14 POS		1	
2	ELEC-750	CABLE CLAMP,CPC,BACK SHELL		1	
3	ELEC-752	CONTACT PIN,CPC,14-18GA TIN		12	

2.3 | UPPER CONTROL PARTS

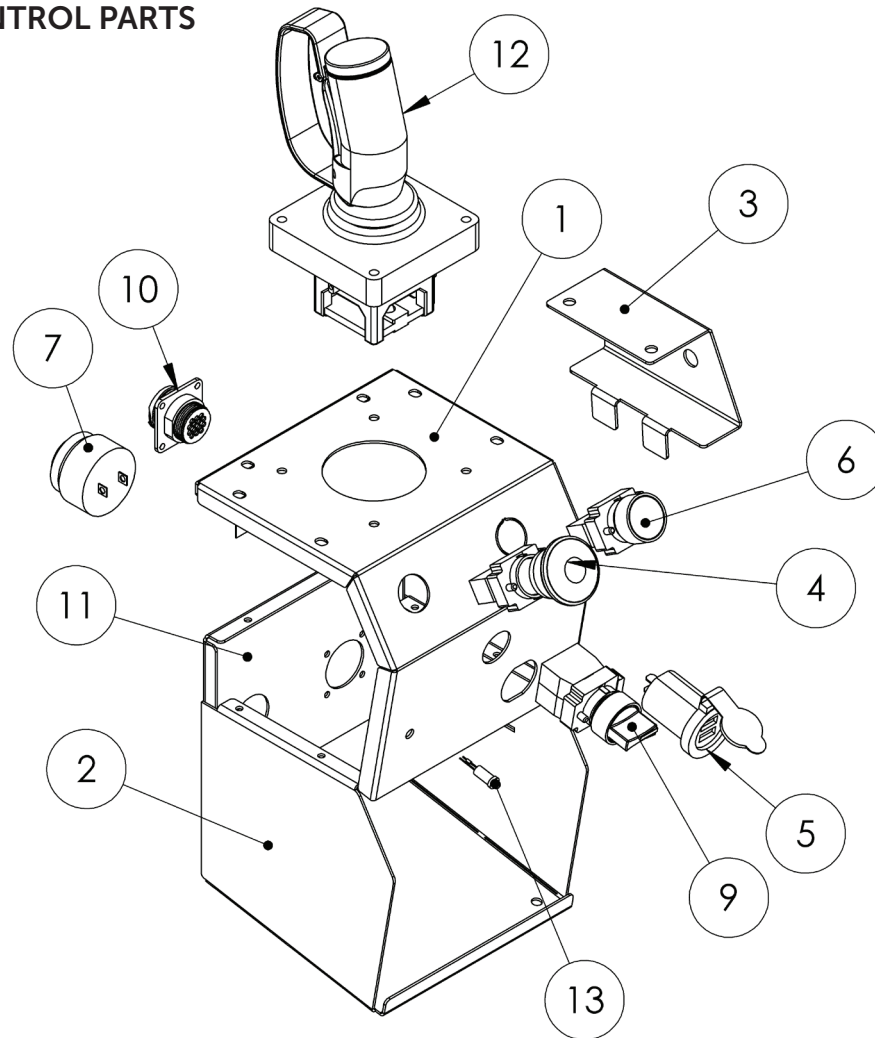


FIGURE 13: HB-1230 Upper Control Parts

Item #	Part Number	Part Description	Notes	Qty	Superseded By
1	112-03-304-01	RAIL,CTL UPR PANEL		1	
2	112-03-303-01	RAIL,CTL BOX LWR		1	
3	129-03-104-01	RAIL,CTL MNT CHNL		1	
4	ELEC-071-KIT	BUTTON,PUSH/PULL RED E-STOP		1	
5	ELEC-892	POWER PORT,USB 12/24V		1	
6	ELEC-604	BUTTON,PUSH BLACK		1	
7	ELEC-635-4	ALARM, CONTINUOUS		1	
8	WD-129-21-308-51	WD,UPR CTL HB-1230CE S3	WIRING DIAGRAM	1	
9	ELEC-002C-KIT	SWITCH,ROTARY MAINTAINED		1	
10	129-21-309-50	CTL,WIRE HARNESS,UPR CTL		1	
11	112-03-305-01	RAIL,CTL BOX BACK PANEL		1	
12	ELEC-609	JOYSTICK,MULTI-AXIS W/GUARD		1	
13	ELEC-636	LED, RED		1	

2.4 | LOWER CONTROL PARTS

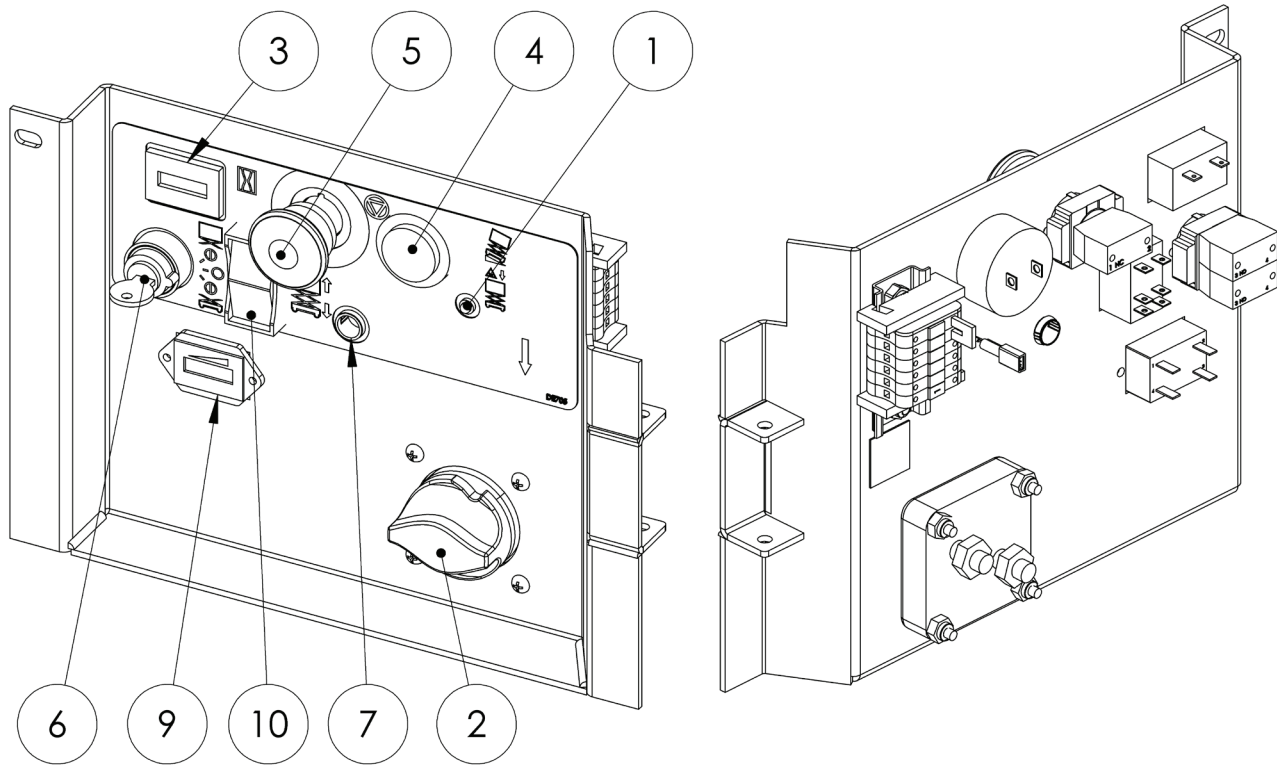


FIGURE 14: HB-1230 Lower Control Parts

Item #	Part Number	Part Description	Notes	Qty	Superseded By
1	ELEC-636	LED, RED			
2	ELEC-633-4	SWITCH,MASTER DISCONNECT			
3	ELEC-610-2	METER,HOUR			
4	ELEC-635-4	ALARM, CONTINUOUS			
5	ELEC-071-KIT	BUTTON,PUSH/PULL RED E-STOP			
6	ELEC-073D-KIT	SWITCH,KEY,3-POS MAINTAINED			
7	HARD-692	PLUG,0.50 DIA,TRANSPARENT			
8	WD-129-21-307-51	WD,LWR CTL HB-1230CE S3	WIRING DIAGRAM		
9	ELEC-610-4	METER,VOLT,24V			
10	ELEC-133B	SWITCH,ROCKER DPDT			

2.5 | MASTER POWER SWITCH SUBPARTS

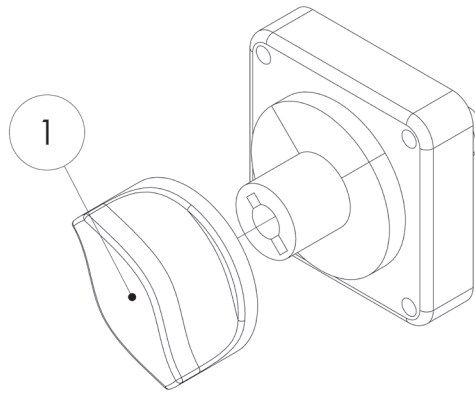


FIGURE 15: HB-1230 Master Power Switch Subparts

Item #	Part Number	Part Description	Notes	Qty	Superseded By
1	ELEC-633-5	SWITCH KNOB,MASTER DISCONNECT		1	

2.6 | KEY SWITCH SUBPARTS

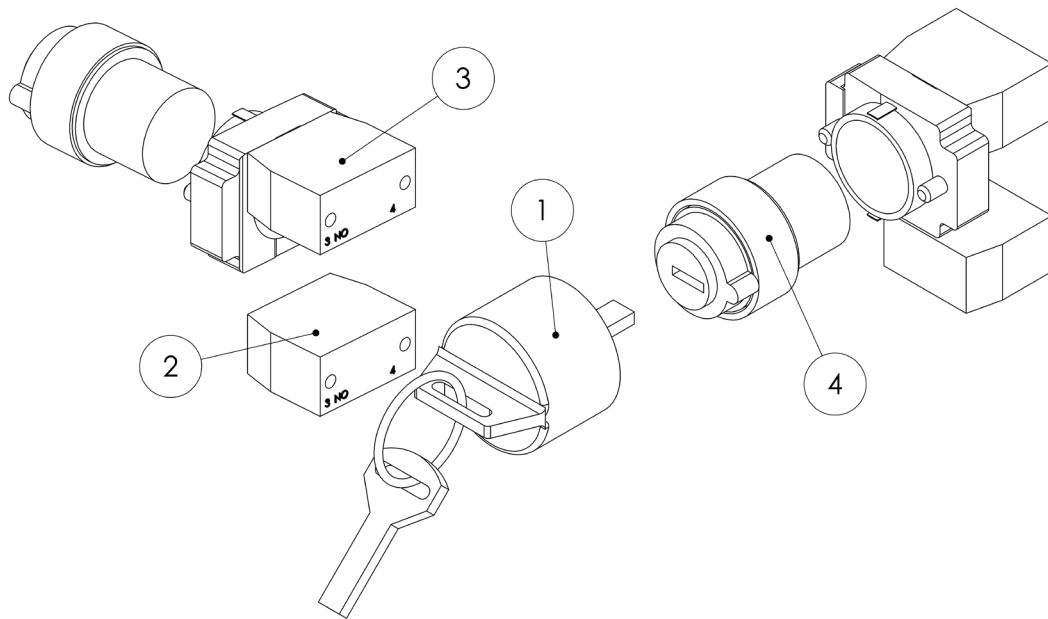


FIGURE 16: HB-1230 Key Switch Subparts

Item #	Part Number	Part Description	Notes	Qty	Superseded By
1	ELEC-073EKEY	KEY,SPARE		1	
2	ELEC-603	CONTACT BLOCK,NO		1	
3	ELEC-871-KIT	CONTACT BLOCK,NO W/BASE		1	
4	ELEC-073D	SWITCH,KEY,3-POS MAINTAINED		1	

2.7 | E-STOP SWITCH SUBPARTS

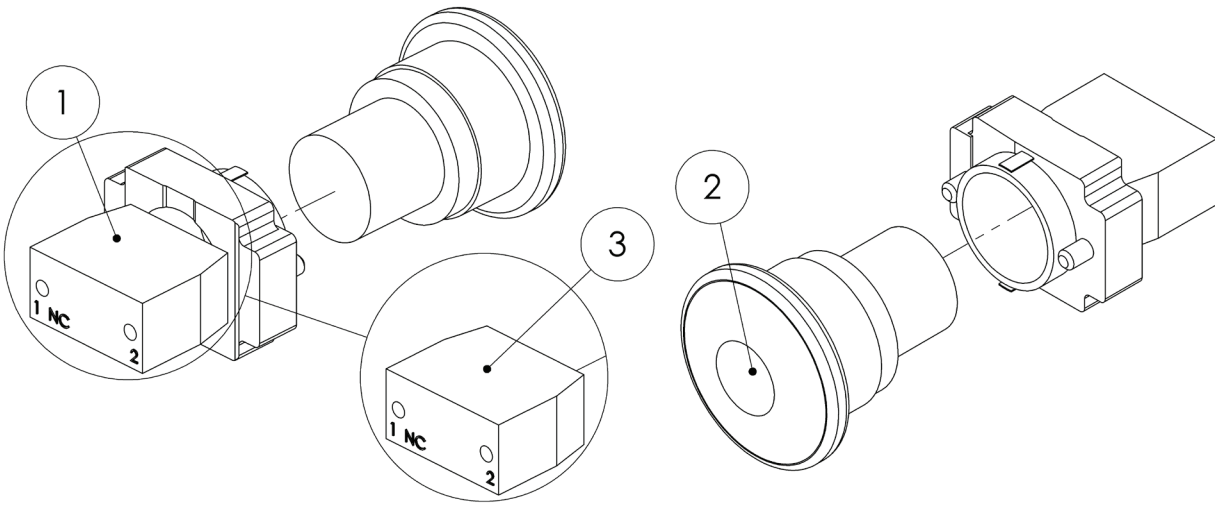


FIGURE 17: HB-1230 E-Stop Switch Subparts

Item #	Part Number	Part Description	Notes	Qty	Superseded By
1	ELEC-872-KIT	CONTACT BLOCK,NC W/BASE		1	
2	ELEC-071	BUTTON,PUSH/PULL RED E-STOP		1	
3	ELEC-072	CONTACT BLOCK,NC		1	

2.8 | SELECTOR SWITCH SUBPARTS

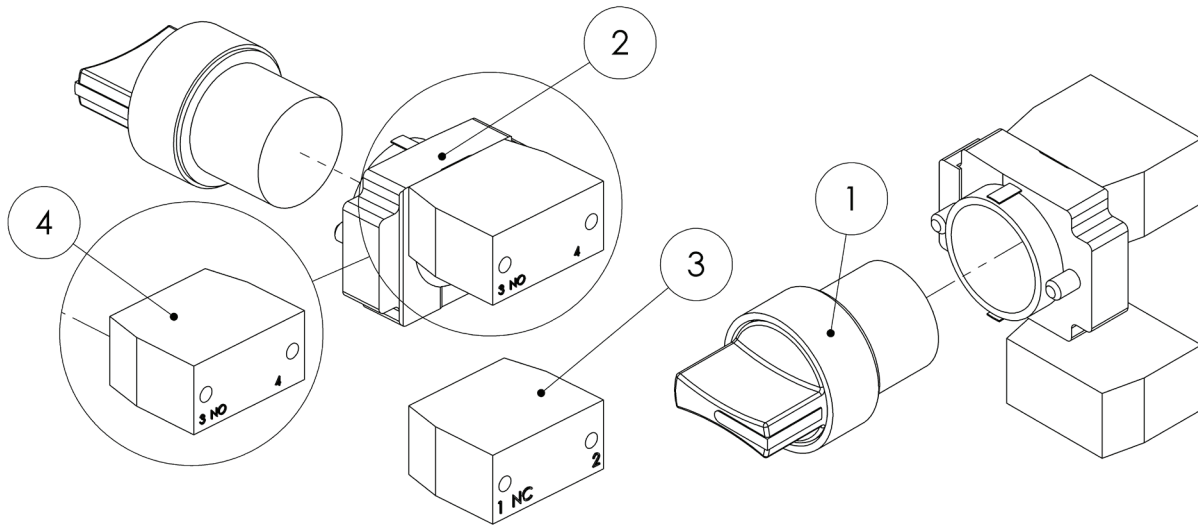


FIGURE 18: HB-1230 Selector Switch Subparts

Item #	Part Number	Part Description	Notes	Qty	Superseded By
1	ELEC-002C	SWITCH,ROTARY,MAINTAINED		1	
2	ELEC-871-KIT	CONTACT BLOCK,NO W/BASE		1	
3	ELEC-072	CONTACT BLOCK,NC		1	
4	ELEC-603	CONTACT BLOCK,NO		1	

2.9 | HORN BUTTON SUBPARTS

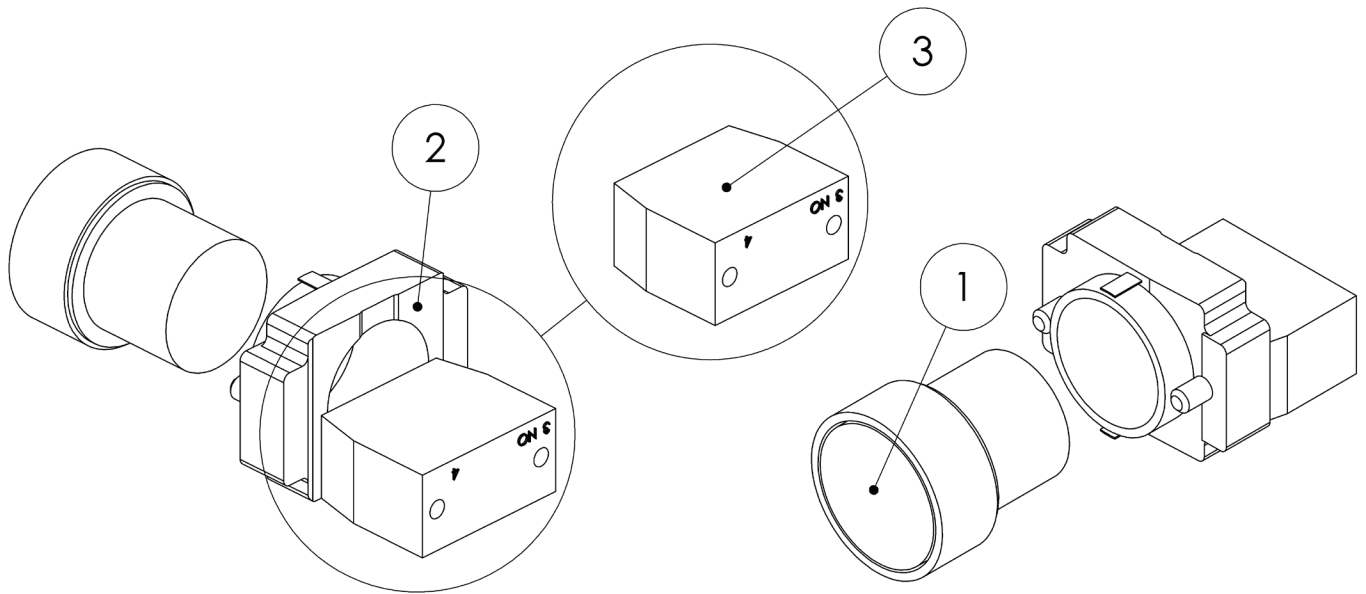


FIGURE 19: Horn Button Subparts

Item #	Part Number	Part Description	Notes	Qty	Superseded By
1	ELEC-604	BUTTON,PUSH BLACK		1	
2	ELEC-871-KIT	CONTACT BLOCK,NO W/BASE		1	
3	ELEC-603	CONTACT BLOCK,NO		1	

SECTION 3 | SCISSORS

3.1 | HB-1230 SCISSORS

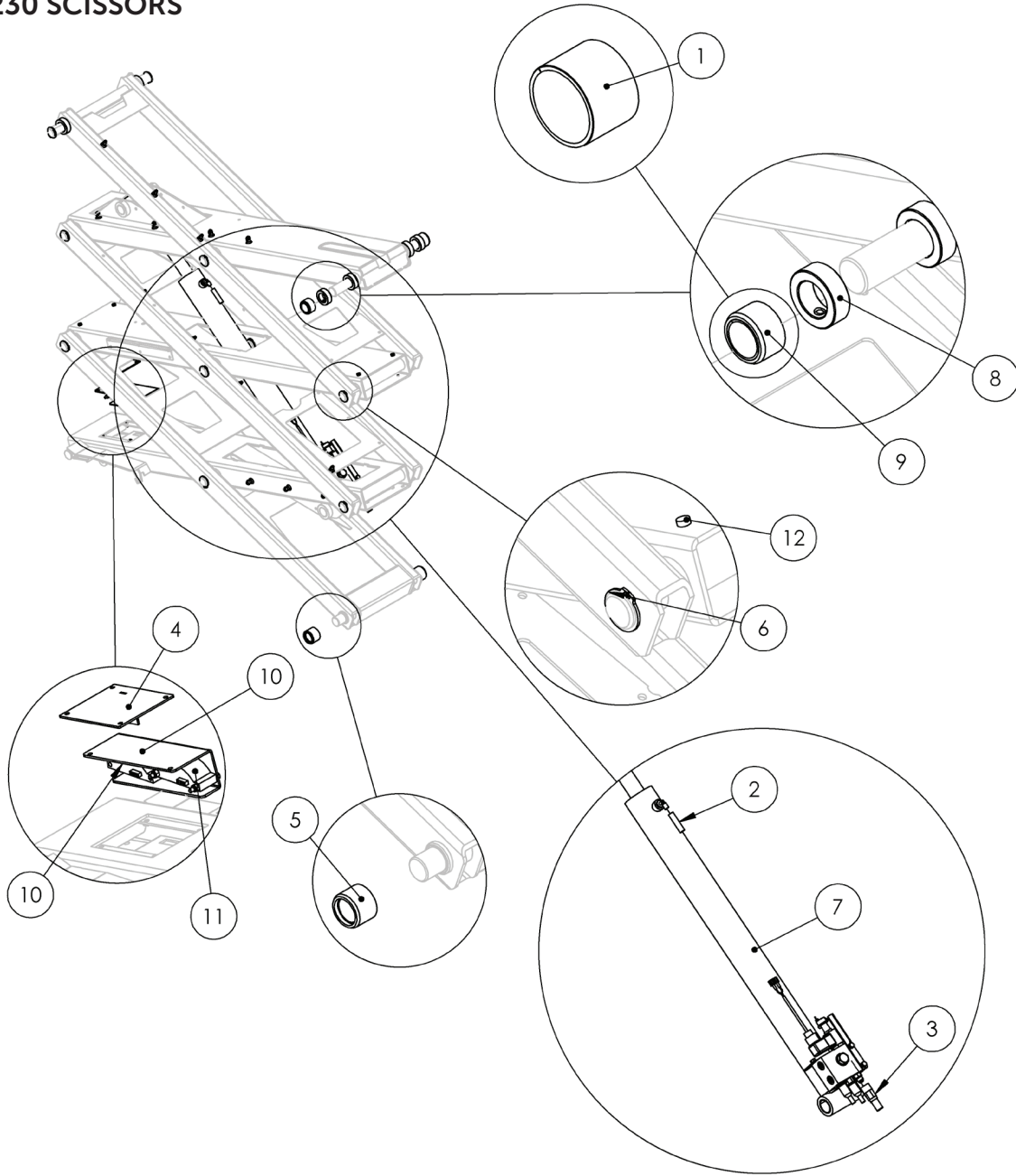


FIGURE 20: HB-1230 Scissors

Item #	Part Number	Part Description	Notes	Qty	Superseded By
1	HARD-001	1.25X1.00 SLEEVE BEARING,PTFE		1	
2	HYDR-022-3	LOW PRESSURE HOSE	Quantity in inches	132	
3	HYDR-600	HOSE ASM,HB-2X		1	
4	129-02-283-01	SCISSOR,ACCESS PNL WLDMNT		1	

5	129-21-009-50-K	ASM,ROLLER,1.25 W/DU	2
6	HARD-022	1.25 RETAINING RING,EXT	18
7	129-21-316-51-K	ASM,CYL HB-1230-CE-S3	1
8	1021000102	SET COLLAR,1.25 ID	6
9	BM-6006-1-KIT	ASM,ROLLER,1.00 W/DU	2
10	129-02-202-01	SCISSOR, ANG SENSOR MNT	1
11	ELEC-647	SENSOR,ANGLE	2
12	HARD-694	.28 PUSH-IN BUMPER	8

3.2 | HB-1230 CYLINDER SUBPARTS

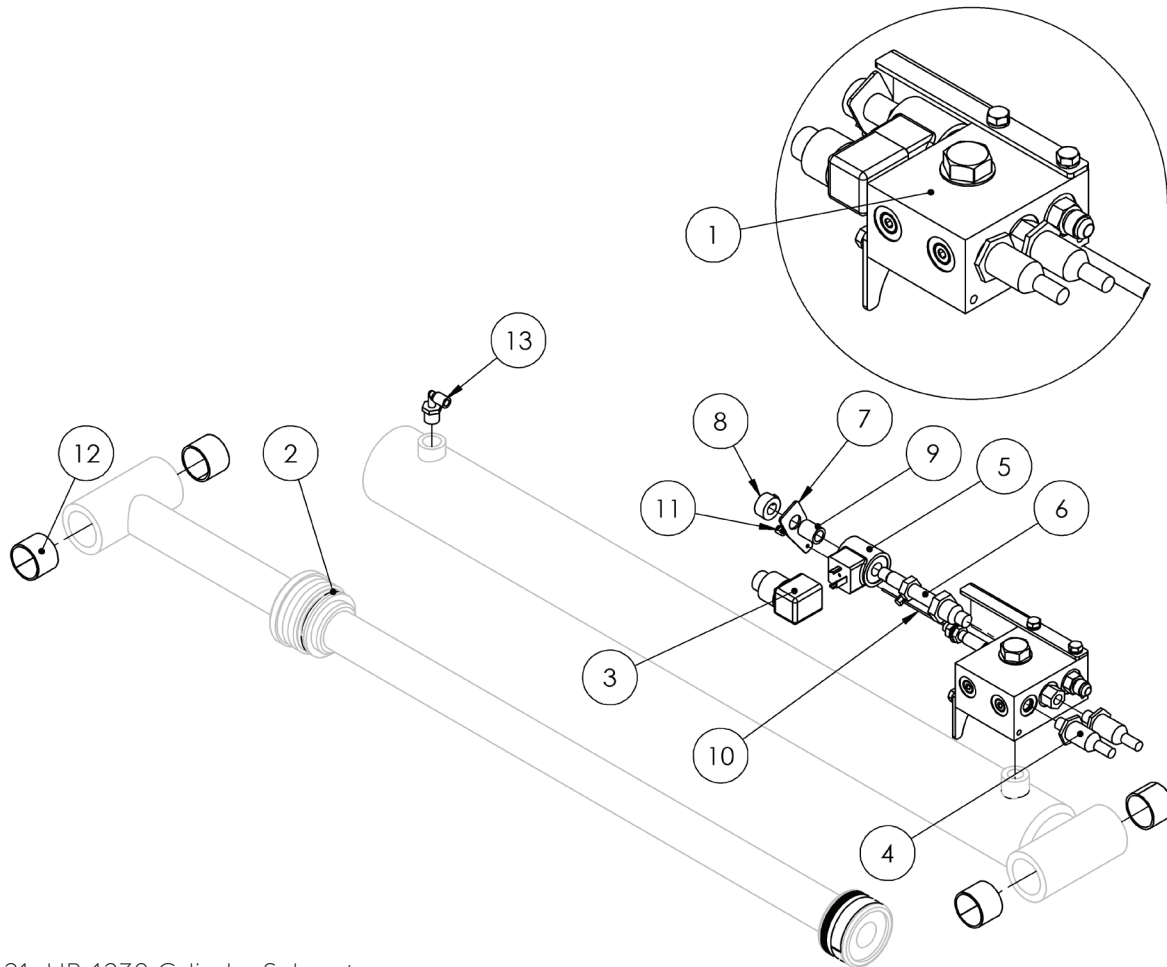


FIGURE 21: HB-1230 Cylinder Subparts

Item #	Part Number	Part Description	Notes	Qty	Superseded By
1	129-21-313-51-K	ASM,SCISSOR CYL BLK HB-1230CE		1	
2	HYDR-012-SK	CYL,SEAL KIT 2.5 B,1.5 R		1	
3	HYDR-044-FL3	HIRSCHMANN CONNECTOR		1	
4	ELEC-648	SENSOR,PRESSURE		2	
5	HYDR-007-2E-4	COIL,24V,HC		1	
6	HYDR-007-2E-5	VALVE,NC,2W/2P,#8,DWN,PULL,DEL		1	
7	LAS-M115	SCISSOR,PLATE E-DOWN ACT		1	
8	HARD-650	0.44X0.88X0.44 SHAFT COLLAR		1	
9	HARD-621	038X0.63X075 SLEEVE BEARING		1	
10	HARD-644-11	120.25/129 LOW FRICTION CABLE		1	
11	HARD-900	SLEEVE,CABLE STOP 0.09		1	
12	HARD-001	1.25X1.00 SLEEVE BEARING,PTFE		4	
13	HYDR-019	FITTING,ELB,NPTM 3/8-1/4 PUSH		1	

THIS PAGE WAS INTENTIONALLY LEFT BLANK

SECTION 4 | PLATFORM & RAILS

4.1 | PLATFORM & RAILS

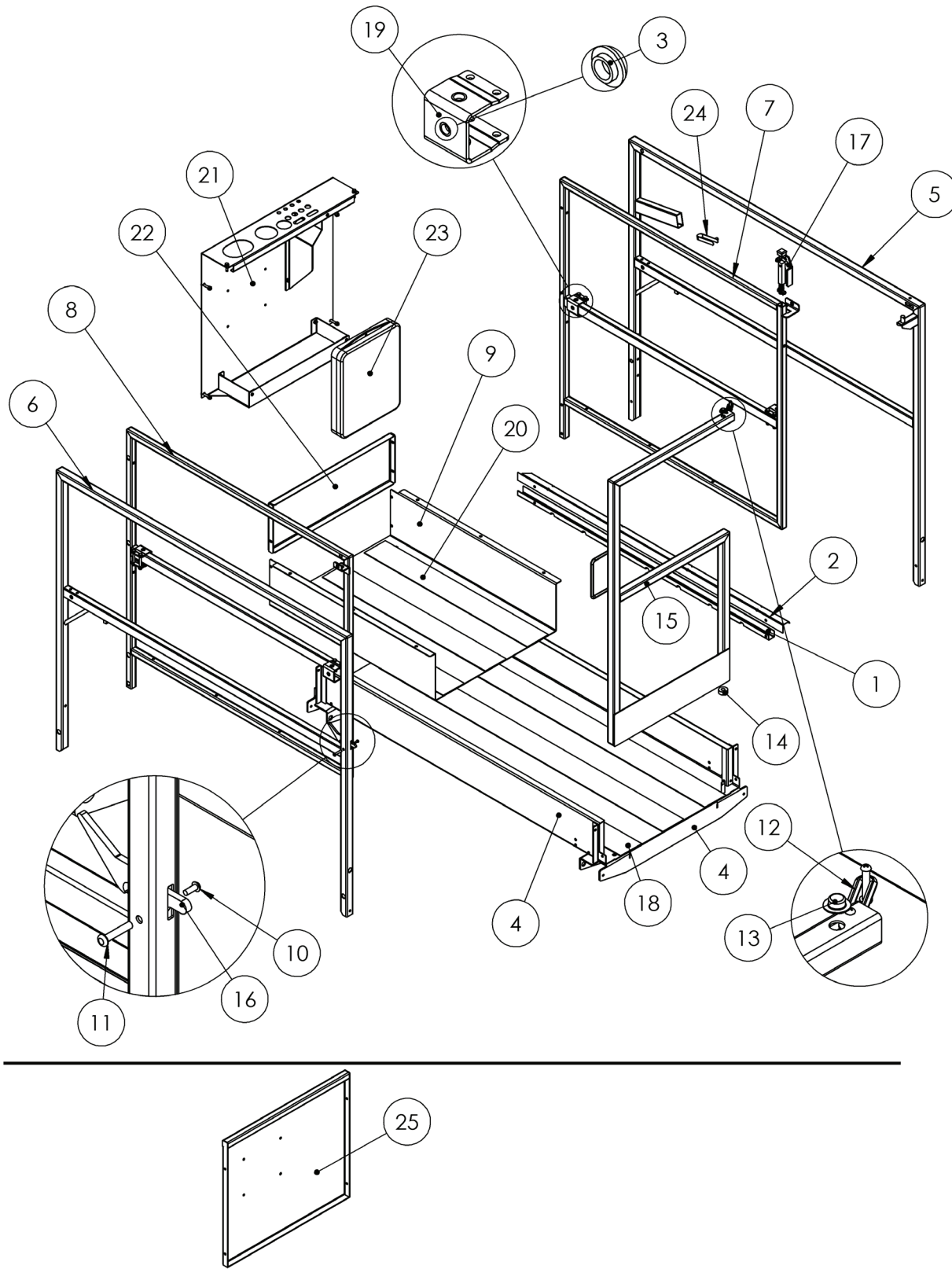


FIGURE 22: Platform And Rails

Item #	Part Number	Part Description	Notes	Qty	Superseded By
1	129-04-205-01	PF,CONDUIT CHANNEL LOWER		1	
2	129-04-206-01	PF,CONDUIT CHANNEL UPPER		1	
3	HARD-626	0.38X0.50X0.19 SLD WASH,NYL W		1	
4	129-04-201-01	PF,WLDMNT		1	
5	129-03-209-01	RAIL,WC R		1	
6	129-03-203-01	RAIL,WC L		1	
7	129-03-212-01	RAIL,SO R		1	
8	129-03-214-01	RAIL,SO L		1	
9	129-03-208-01	RAIL, SO FLOOR BOLT-ON		1	
10	SCREW-1100	10-24 X 0.50 PAN HEAD SCRW		3	
11	HARD-649	0.25 X 1.25 BARREL SCRW,10-24		3	
12	HARD-606-2	ORING,0.25 X 5		1	
13	HARD-656-1	QUICK NUT-1/2 ROD		1	
14	143-04-007-04	SPACER,.5ID,1.25OD, 0.5 THK		1	
15	129-03-222-01	RAIL,GATE		1	
16	1000307601	RAIL,GATE LATCH		1	
17	1002100692-KIT	ASM,RAIL SLIDE LOCK		1	
18	MISC-031-11-KIT	ANTI-SLIP TAPE,4.00,54.00 LENG		3	
19	LAS-M078-1-KIT	ASM,RAIL SLIDE CHNL W/WASHERS		4	
20	MISC-031-01-KIT	ANTI-SLIP TAPE,4.00,31.00 LENG		3	
21	129-21-321-50-K	ASM,RAIL TOOL TRAY		1	
22	129-03-211-01	RAIL, SO TOE BOARD		1	
23	HARD-603	MANUAL BOX		1	
24	HARD-067	0.38SNAP BUTTON,SINGLE END		1	
25	129-03-206-01	RAIL,SO END WLDMNT	Superseded; STANDARD YELLOW	0	129-21-321-50-K
25	129-03-206-20	RAIL,SO END WLDMNT,GRN	Superseded; GREEN	0	129-21-321-52-K

SECTION 5 | DECALS

5.1 | HB-1230 DECALS

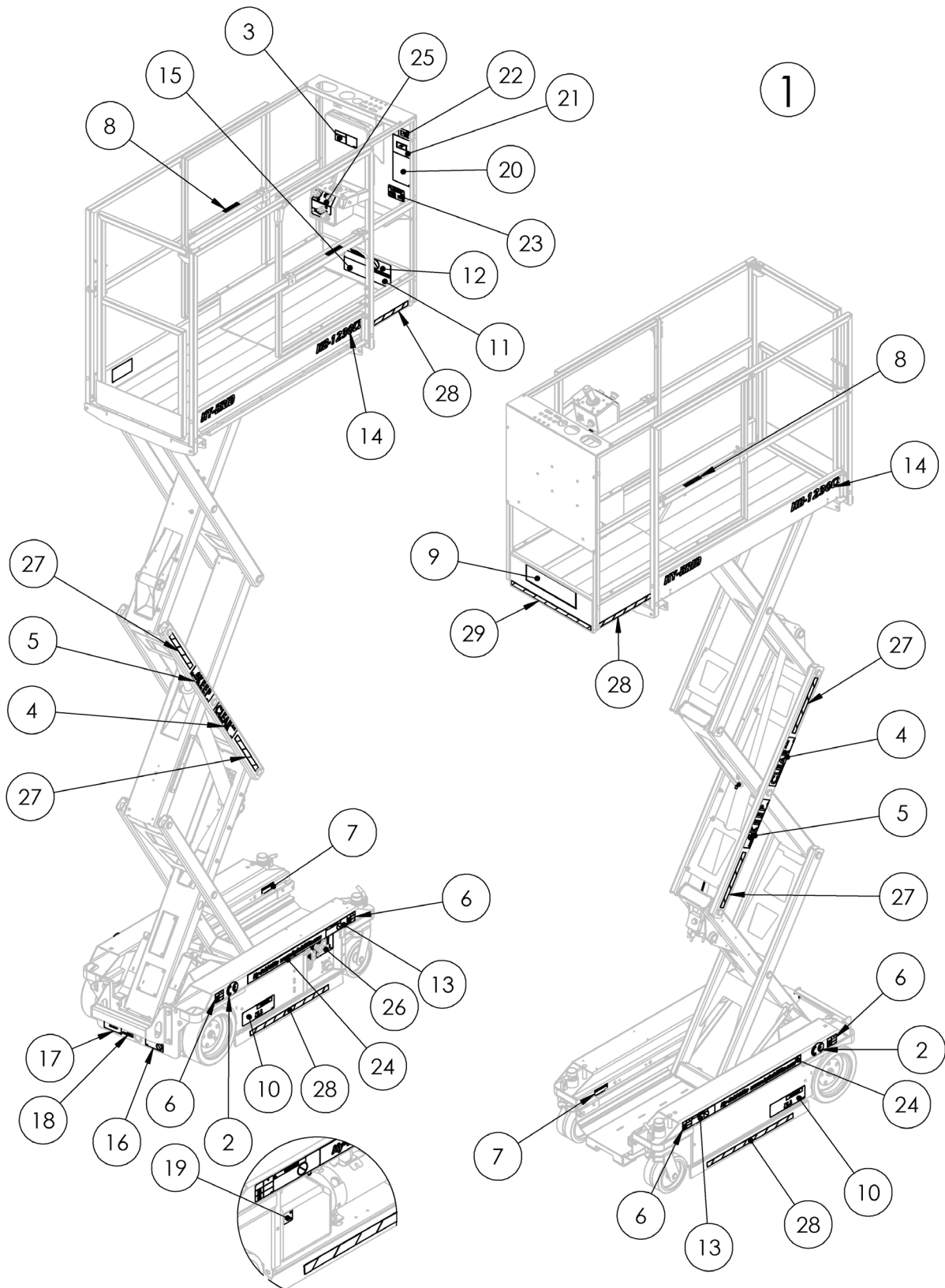


FIGURE 23: HB-1230 Decal Parts

Item #	Part Number	Part Description	Notes	Qty	Superseded By
1	129-21-312-51-K	DECALS,HB-1230 S3 CE	KIT	1	
2	DE718	DECAL,CE		2	
3	DE600E-10	DECAL,MANUAL BOX		1	
4	DE708	DECAL,CLEAR		2	
5	DE707	DECAL,KEEP		2	
6	DE784	DECAL,WHEEL LOAD HB-1230CE S3		4	
7	DE600E-14	DECAL,MAINT LOCK		2	
8	DE746	DECAL,LANYARD ATTACHMENT		2	
9	DE821	DECAL,LOGO HY-BRID		1	
10	DE709	DECAL, LWR		2	
11	DE706	DECAL,UPR HB		1	
12	DE719	DECAL,CASTERLOCK		1	
13	DE721	DECAL,CASTERLOCK		2	
14	DE603-16	MODEL# DECAL-HB-1230CE		2	
15	DE750	DECAL,CAPACITY,550#,1P,I,W/SO		2	
16	DE747	DECAL,BRAKE RELEASE/NO TOW		1	
17	DE751	DECAL,E-DOWN CABLE		1	
18	DE752	DECAL,CHARGER CORD (EU)		1	
19	DE679	DECAL,HYDR FLUID		1	
20	DE756	DECAL,ERROR ALARMS CE		1	
21	DE777	DECAL,BATT CHARGE DAILY		1	
22	DE782	DECAL,MADE IN USA		1	
23	DE649	DECAL,CAPACITY, TOOL TRAY		1	
24	DE822	DECAL,WEBSITE		2	
25	DE783	DECAL,CTL UPR ZTR CE		1	
26	DE705	DECAL,CTL LWR CE ZTR-MID		1	
27	DE717-62	DECAL,SAFETY STRIPE (12.00)		4	
28	DE717-61	DECAL,SAFETY STRIPE (24.00)		4	
29	DE717-63	DECAL,SAFETY STRIPE (22.25)		1	

SECTION 6 | OPTIONS & MISCELLANEOUS

6.1 | HB-1230 OPTIONS & MISCELLANEOUS PARTS

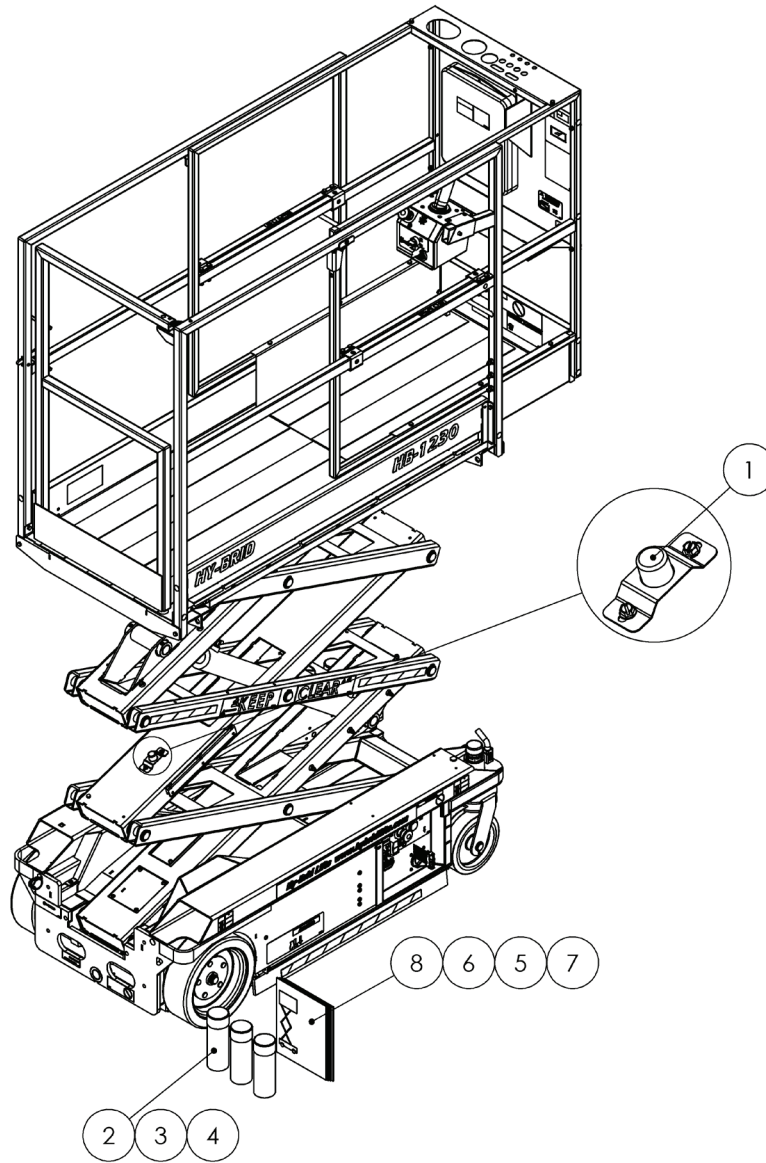


FIGURE 24: HB-1230 Options & Misc Parts

Item #	Part Number	Part Description	Notes	Qty	Superseded By
1	129-21-335-50-K	BEACON,FLASHING(AMBER) HBMD S3		1	
2	MISC-624	PAINT,WHITE TOUCH-UP SPRAY		1	
3	MISC-625	PAINT,YELLOW TOUCH-UP SPRAY		1	
4	MISC-627	PAINT,GREEN TOUCH-UP SPRAY		1	
5	SUPO-716	MANUAL,OP HB-1230CE S3		1	
6	SUPO-716DUT	MANUAL,OP HB-1230CE S3	Dutch language	1	
7	SUPO-717	MANUAL,MAINT HB-1230CE S3		1	
8	SUPO-717DUT	MANUAL,MAINT HB-1230CE S3	Dutch language	1	

THIS PAGE WAS INTENTIONALLY LEFT BLANK

HY-BRID LIFTS™

BY CUSTOM EQUIPMENT INC

Self-Propelled Aerial Work Platform
Parts Manual
HB-1230CE
Series III

© 2017 Custom Equipment, Inc.
2647 Highway 175
Richfield, WI 53076
U.S.A.
Tel. +1-262-644-1300
Fax: +1-262-644-1320
www.hybridlifts.com
Service@Customequipmentlifts.com

"Hy-Brid Lifts" Is A Trademark Of Custom Equipment, Inc.
These Machines Comply With Specified EN280 Requirements

Revision Date: August 2017

Printed In The USA