

PALFINGER

LIFETIME EXCELLENCE

P 750
JUMBO CLASS NX



TECHNICAL SPECIFICATIONS

Max. working height	75 m
Max cage bottom height	73 m
Max. outreach*	39 m
Angle of main boom	540°
Rotation angle of cage	2 x 200°
Rotation angle of cage boom	240°
Max. cage load	600 kg
Size of cage	3,81 x 1,04 x 1,1 m
Permissible inclination of platform	0,5°
Height in transportposition	4,0 m
Width in transportposition	2,51 m
Overall length	14 m
Wheelbase*	3,680 m
Total weight*	31800 kg

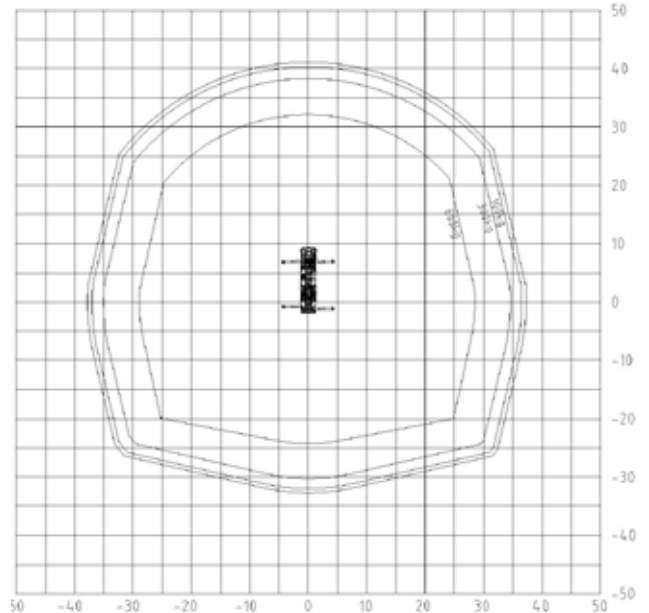
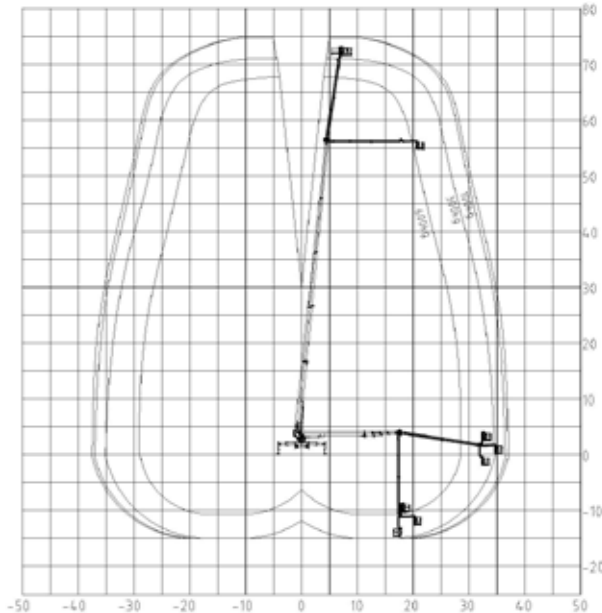
* Depends on truck chassis

STANDARD EQUIPMENT

Reversing camera
Home function
Automated positioning system
Telescopic cage
Driver information system
Safety plates
230 V CEE current supply with CEE socket in the workman cage
Assistance systems
Lubrication system lower arms

PRELIMINARY DATA

WORKING DIAGRAMS



A possible 2% tolerance is contingent on structural components

DIMENSIONS

