

REHANDLING BUCKET

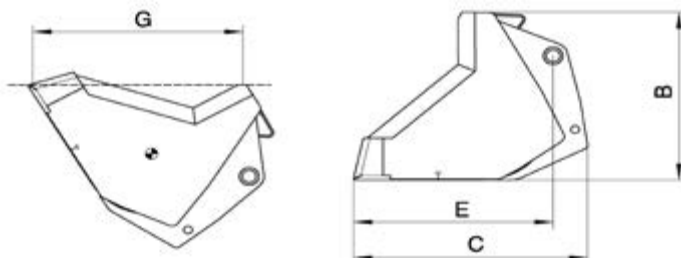
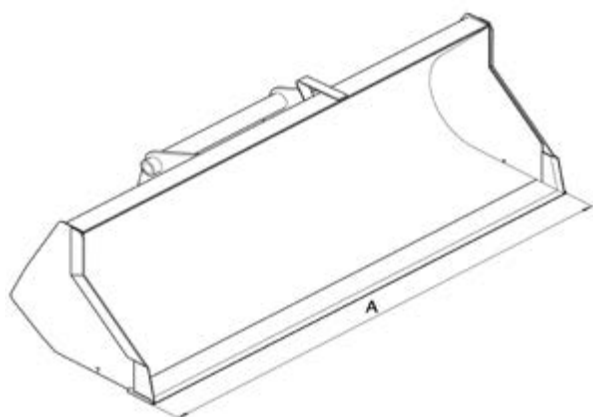
AGRICULTURAL and BUILDING SITES HANDLING Solutions

ADVANTAGES

- Daily use bucket suitable for different applications.
- Basic attachment for loading and unloading operations.
- Robust and easy to use this bucket meets the needs of building sites workers.
- Ideal bucket for handling cereals, manure, earth, gravels...

TECHNICAL CHARACTERISTICS

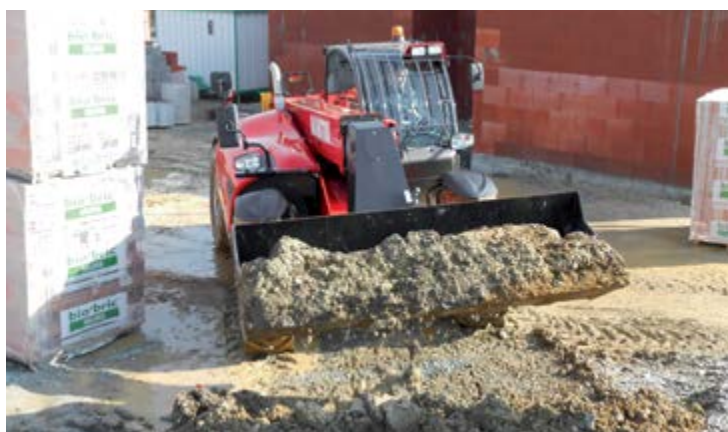
- Wide range of bucket capacity from 730 L to 1000 L.
- Recovery bucket suitable for handling materials with a density $\leq 2,1$.
- Reinforced structure (base, blade, sides).
- Option: «LDR» bolt-on wear plate on 1850 mm & 2450 mm versions (MLT & MT).



COMPATIBILITY*

	CBR 730/1850	CBR 780/1950	CBR 900/2250	CBR 1000/2450
Part Number	571831	570613	653749	654716
MLT 625	X			
MLT 627		X	X	
MLT 629			X	
MLT 634		X	X	X
MLT 732				X
MLT 735		X	X	X
MLT 741		X	X	X
MLT 840				X
MLT 845		X	X	X
MLT 960				X = 744050
MLT 1040				X
MT 625	X			
MT 732		X	X	X
MT 732 (€ 3B)				X
MT 835				X
MT 932			X	X
MT 932 (€ 3B)				X
MT 1030			X	X
MT 1135				X
MT 1235			X	X
MT 1335				X
MT 1435 (€ 3B)				X
MT 1440			X	X
MT 1740			X	X
MT 1840			X	X
Part Number	N/A	N/A	N/A	469257
MRT EASY (€ 3A)			X	X
Part Number	N/A	N/A	921281	921282
MRT EASY (€ 3B)			X = 925903	X = 925904
MRT + PRIV			X	X
MRT 3255				X

	Capacity (L)	A	B	C	E	G	Weight (kg)
CBR 730L/1850	735	1850	775	957	815	857	330
CBR 780L/1950	778	1950	775	957	815	857	340
CBR 900L/2250	904	2250	775	957	815	857	390
CBR 1000L/2450	990	2450	775	957	815	857	410



	CBR 1500/2500	CBR 1500/2500	CBR 2000/2500
Part Number	732625	939165	*
MHT 860	X		
MHT-X 780	X		
MHT 790		X	
MHT 1490		X	
MHT 10120			X
MHT 10180			X
MHT 10225			X

(*) Selon modèle

This brochure describes versions and configuration options for Manitou products which may be fitted with different equipment. The equipment described in this brochure may be standard, optional or not available depending on version. Manitou reserves the right to change the specifications shown and described at any time and without prior warning. The manufacturer is not liable for the specifications given. For more information, contact your Manitou dealer. Non-contractual document.

Product descriptions may differ from actual products. List of specifications is not comprehensive. The logos and visual identity of the company are the property of Manitou and may not be used without authorisation. All rights reserved. The photos and diagrams contained in this brochure are provided for information only.

MANITOU BF SA - Limited company with board of directors - Share capital: 39,547,824 euros - 857 802 508 RCS Nantes

CBR_EN_D_0415



www.manitou.com