

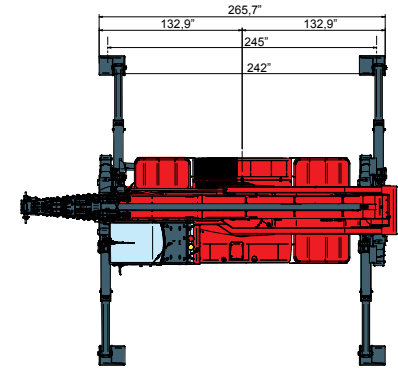
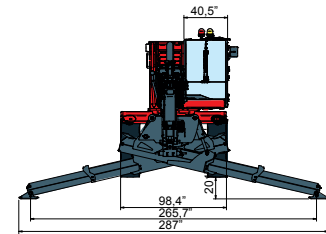
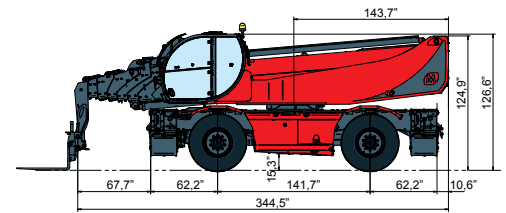
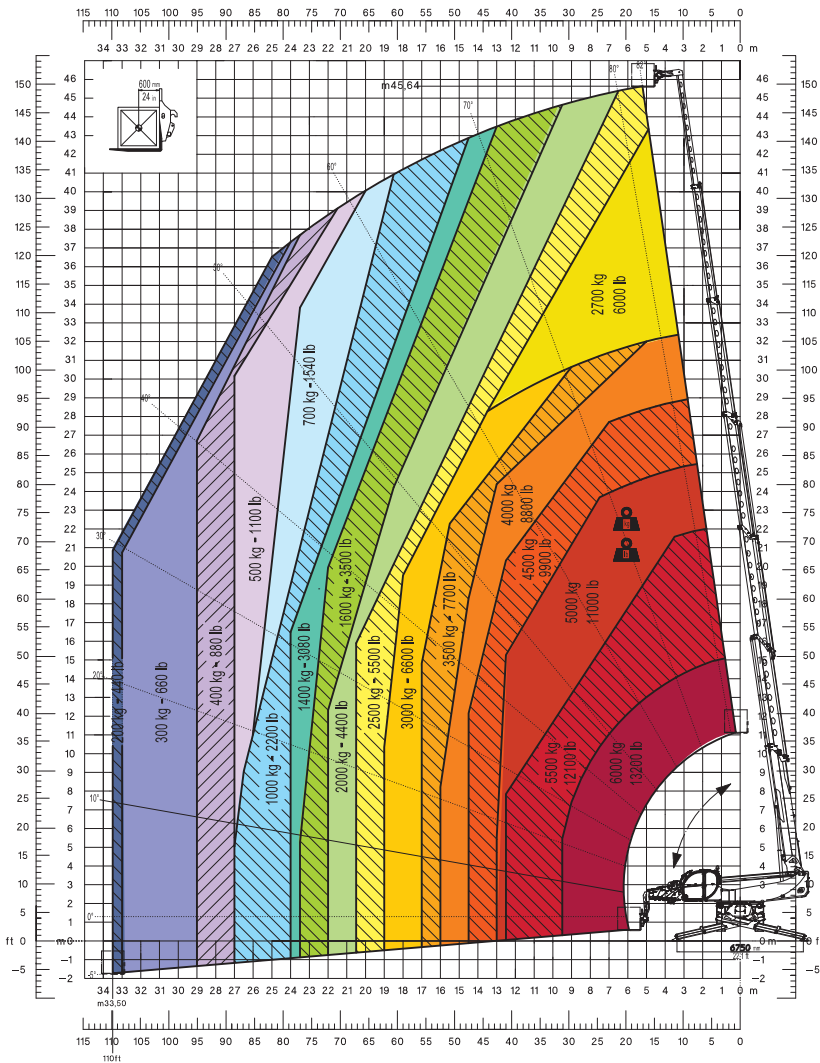
MAGNI
TELESCOPIC HANDLERS

RTH6.46SH

MAGNI



MACHINE MODEL	Rotating telescopic handler	RTH 6.46 SH
	Maximum lifting capacity	13.200 lbs (c.o.g. 24 in)
	Maximum lifting height	150 ft
ENGINE-MERCEDES	Type	MERCEDES OM 934 LA - Tier 4 Final
	Rated power	170 KW - 231 HP at 2.200 rpm
	Maximum torque	900 Nm at 1.200-1.600 rpm
	Displacement	5,13 l
	Cylinders	4 in line
TRANSMISSION	Type	Hydrostatic
	Model	Bosch – Rexroth
	Maximum pressure	500 bar
	Displacements	Variable displacement pump Variable displacement motor
	Gear box	2 speeds forward-reverse
WEIGHTS	Total unladen	66.140 lbs
	Front axle unladen (boom retracted and lowered)	33.400 lbs
	Rear axle unladen (boom retracted and lowered)	32.740 lbs
TANKS CAPACITIES	Fuel tank	74 gal
	AdBlue	10,5 gal
	Hydraulic oil tank	66 gal
	Engine oil	5,4 gal
	Cooling liquid	9,5 gal
HYDRAULIC CIRCUIT	Max. operating system pressure	350 bar
	Circuit type	Load sensing



PRELIMINARY

The data in this brochure are informative and subject to change without notice