



KL30.8T

Products



The new premium tele wheeled loader KL30.8T

The new tele wheeled loader from the premium series KL30.8T sets new standards. Compact and manoeuvrable tele wheeled loaders for a variety of applications. With an optimized power to weight ratio, low shipping weight and continuous high payload, the efficiency of this model series offers many benefits to end users.

- One-piece frame and all-wheel steering
- Modern engine technology
- 10 per cent less fuel consumption
- Hydraulic quick-hitch system and parallel-controlled loading system





Technical specifications

Operating data

Bucket capacity	0,85 m ³
Operating weight	5.500 kg

Engine / Motor

Engine / Motor manufacturer	Deutz
Engine performance (standard)	55,4 kW
Emission standards stage (standard)	IIIB

Power transmission

Driving speed (standard)	20 km/h
Driving speed (option)	40 km/h
Standard tires	12.5-20
Differential lock	100 % front
Max. steering angle	2 x 40 °

Steering and operating hydraulics

Max. pump discharge capacity	70 l/min
Max. pump pressure	240 bar
Max. Powerflow discharge capacity	115 l/min

Kinematics

Design system	Z-Kinematics
Tipping load	3.300 kg
Payload	2.000 kg
Tilt-in angle	45 °
Tip-out angle	40 °

Filling capacities

Fuel tank	85 l
Hydraulic oil tank	50 l

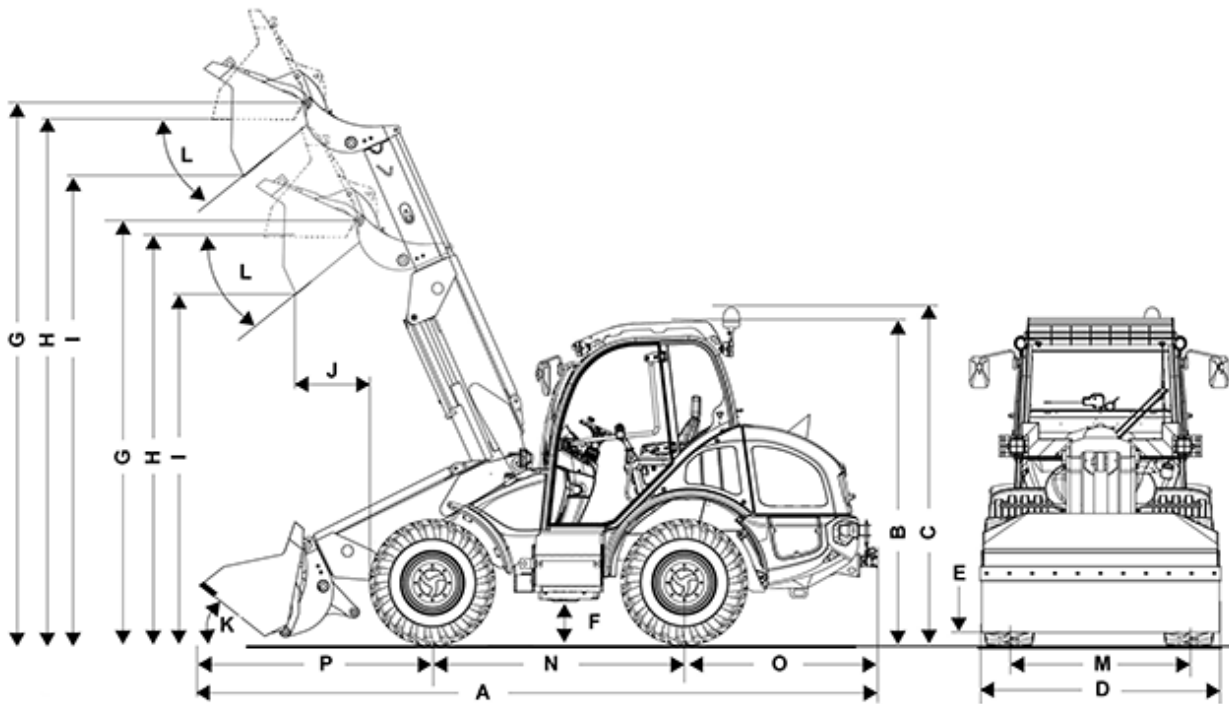
Vibrations

Total vibrations value of the upper body extremities	< 2,5 m/s ²
Highest effective value of weighted acceleration for the body	< 0,5 m/s ²

Weitere technische Daten finden Sie in der ausführlichen Broschüre im Bereich Infomaterial



Dimensions



A	Length	5.870 mm
B	Height	2.590 mm
C	Total height with rotating beacon	2.830 mm
D	Width	1.950 mm
E	Ground clearance in transport position of the loading installation	250 mm
F	Ground clearance under axle and gearbox	330 mm
G	Bucket pivot point - retracted	3.610 mm
G	Bucket pivot point - extended	4.690 mm
H	Overhead loading height - retracted	3.440 mm
H	Overhead loading height - extended	4.520 mm



I	Dumping height - retracted	3.010 mm
I	Dumping height - extended	4.010 mm
J	Dump reach - retracted	620 mm
J	Dump reach - extended	1.080 mm
K	Tilt-in angle	40 °
L	Tip-out angle	40 °
M	Track width	1.400 mm
N	Wheelbase	2.020 mm
O	Center of rear axle to end of vehicle	1.490 mm
P	Center of front axle to tip of teeth	2.270 mm
	Bucket width	1.950 mm
	Stack height (arm extended)	4.470 mm
	Turning radius over tyres	2.840 mm

Alle Angaben wurden mit folgender Bereifung ermittelt: 28 x 9.00 – 15

Please note

that product availability can vary from country to country. It is possible that information / products may not be available in your country. More detailed information on engine power can be found in the operator's manual; the stated power may vary due to specific operating conditions.

Subject to alterations and errors excepted. Applicable also to illustrations.

Copyright © 2017 Kramer-Werke GmbH.