



KL43.8

Products



The Kramer wheel loader KL43.8

Kramer's premium class wheel loaders set new standards in terms of technology, performance and comfort. Other plus points are versatility in use, optimal power to weight ratio and exceptional performance statistics. The Kramer wheel loader KL43.8 is therefore ideal for agriculture.

- One-piece frame and all-wheel steering
- Hydraulic quick-hitch system and parallel-controlled loading system
- Efficient drive system and low operating costs
- Variety of options for a large range of uses
- Particularly spacious panoramic cab with the highest level of operator comfort





Technical specifications

Operating data

Bucket capacity (standard bucket)	1,15 m ³
Operating weight	6.100 kg

Engine / Motor

Engine / Motor manufacturer	Deutz
Engine performance (Series)	55,4 kW
Emission standards stage (Series)	IIIB
Engine performance (Option)	74,4 kW
Emission standards stage (Option)	IV

Power transmission

Travel speed (Series)	20 km/h
Travel speed (Option)	40 km/h
Standard tires	405/70R24
Differential lock	100% connectable

Steering and operating hydraulics

Flow rate (pump)	84 l/min
Pressure (maximum)	240 bar
Flow rate (optional)	120 l/min

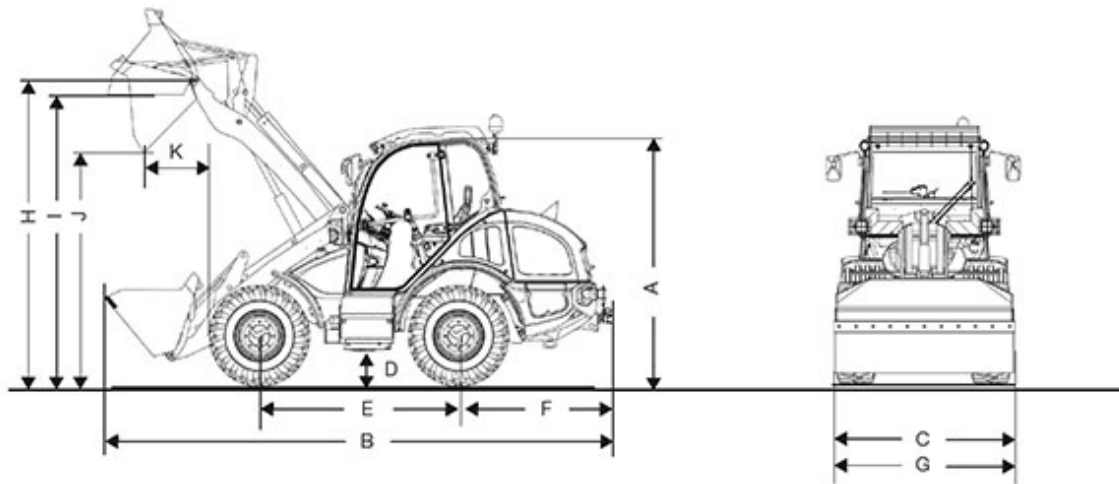
Kinematics

Tipping load (with bucket)	4.300 kg
Payload (with pallet fork S=1.25)	2.900 kg

Weitere technische Daten finden Sie in der ausführlichen Broschüre im Bereich Infomaterial



Dimensions



A	Height	2.680 mm
B	Length	5.800 mm
C	Width	1.970 mm
D	Ground clearance	390 mm
E	Wheelbase	2.150 mm
	Center of front axle to tip of teeth	2.030 mm
F	Center of rear axle to end of vehicle	1.620 mm
G	Bucket width	2.150 mm
H	Bucket pivot point	3.450 mm
I	Overhead loading height	3.200 mm



J	Dumping height	2.650 mm
K	Dump reach	660 mm
	Stack height	3.200 mm
	Turning radius (over tyres)	2.950 mm

All information determined using the following tyres: 405/70 – 24

Please note

that product availability can vary from country to country. It is possible that information / products may not be available in your country. More detailed information on engine power can be found in the operator's manual; the stated power may vary due to specific operating conditions.

Subject to alterations and errors excepted. Applicable also to illustrations.

Copyright © 2017 Kramer-Werke GmbH.